



VERDER S SERIES

Centrifugal Self-Priming Pumps



Verder S Series

Self priming centrifugal pumps

The Verder S Series product group consists of a range of self-priming, horizontal, single stage centrifugal pumps. They are used for pumping clear or dirty fluids with solids for a variety of applications. As with all Verder pumps, emphasis is on maximum interchangeability and quality improvements, hence all products are covered by a two year guarantee as well as the standard Verder warranty package.



The S series pumps have a semi open impeller and are capable of handling fluids with solids up to 75 mm. The special design makes the S series a quick, reliable self-priming pump, which can automatically self-prime to depths of over 7.5 m. The easily replaceable wear- plates guarantee a high resistance to abrasion.

All pumps have grease lubricated, mechanical seals with abrasion resistant seal faces. This lubrication prevents damage during dry-running throughout the priming cycle and stops leaks of air or liquid along the shaft. The pumps are manufactured in cast-iron, bronze or stainless steel for various applications. If desired we can also build special features for individual requirements.

Features and advantages

- Quick, reliable, self-priming
- Handles up to 75 mm diameter of solids
- High abrasive resistance
- Dry running during priming cycle
- Long service life

Technical Information

Pipe Connections	DN 40 - DN 300
Self-priming	up to 7,5 m w.c.
Capacity	up to 417 l/s (25000 l/min, 1500 m ³ /h)
Head	up to 70 m w.c.
Diameter solids	up to 75 mm Ø

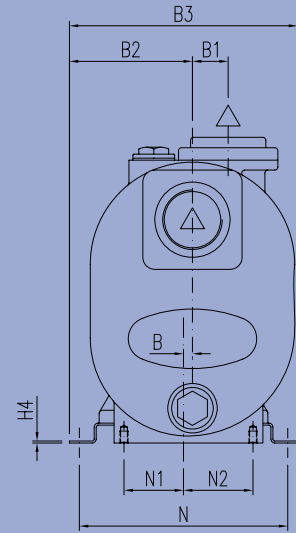
Applications

Self-priming centrifugal pumps of the S series are used for pumping clear or dirty fluids with solids. Special design features also make them suitable for abrasive liquids.

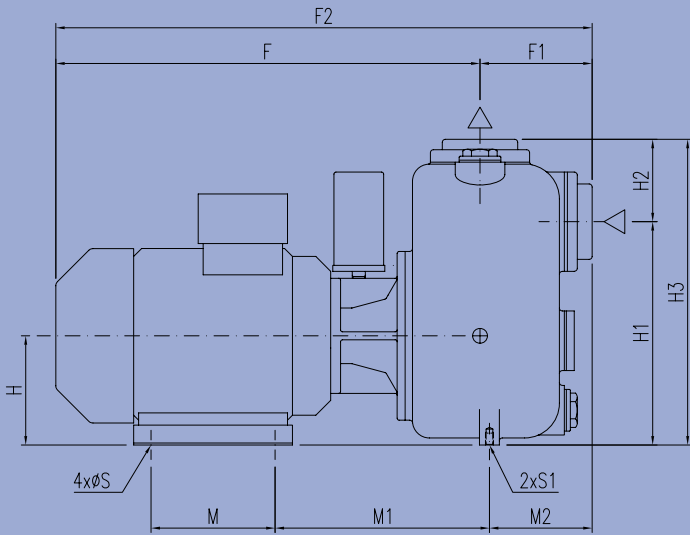
They are used in a variety of industries such as:

- Detergents and Cosmetics
- Ink and Printing Works
- Paper Mills
- Paints and Enamels
- Glues, Adhesive Tapes
- Plastics Industry

VERDER S SERIE



Type	Size in	Size mm	Solids Handling Ø mm	Capacity m³/h	Head m	Motor Power kW	Nominal Impel Ø mm	Pedestal Size
2900 min-1								
S40	1½"	40	20	20/12/5	8/13/16	1,1	110	1
S45	1½"	40	15	20/12/5	13/23/30	2,2	172	2
S50	2"	50	25	40/25/10	5/12/16	2,2	120	2
S60	2"	50	17	40/25/10	12/23/31	4	172	3
S63	2"	50	22	40/25/10	33/42/48	7,5	195	3
S68	2"	50	25	40/25/10	37/49/59	11	220	4
S80	3"	80	32	70/50/20	7/13/20	4	140	3
S83	3"	80	27	80/50/20	16/27/35	7,5	172	3
S 88	3"	80	35	90/50/25	30/45/52	15	220	4
S100	4"	100	45	140/100/50	8/20/26	11	160	4
S108	4"	100	40	140/100/50	20/37/47	22	220	5
1450 min-1								
S65	2"	50	25	40/25/10	5/11/14	2,2	220	4
S85	3"	80	40	80/50/30	6/12/14	4	220	4
S105	4"	100	35	140/100/50	5/10/13	5,5	220	4
S121	4"	100	45	150/100/50	16/21/25	11	280	5
S150	6"	150	50	260/200/100	5/9/12	11	220	5
S161	6"	150	60	300/200/100	10/16/21	18,5	280	5
S180	6"	150	40	300/200/100	21/28/33	30	358	6
S201	8"	200	57	500/350/200	6/12/16	22	280	6
S230	8"	200	72	600/400/200	22/31/36	55	358	6
S280	10"	250	on request					
960 min-1								
S170	6"	150	54	300/200/100	6/12/15	11	358	6
S220	8"	200	72	500/350/200	7/12/15	18,5	358	6
S270	10"	250	on request					
S300	12"	300	on request					



S 765080

	DN	mm	B	B1	B2	B3	F	F1	F2	H1	H2	H3	M	M1	M2	N	S	kg
S40	1 1/2"	40	7	29	112	210	366	98	464	187	70	257	100	186	87	190	9	25
S45	1 1/2"	40	7	80	122	242	392	122	514	237	75	312	125	181	112	210	9	38
S50	2"	50	9	36	124	230	427	113	540	227	83	310	125	216	103	210	9	38
S60	2"	50	9	36	149	280	456	113	569	267	83	350	140	233	98	240	12	55
S63	2"	50	9	94	154	290	450	144	594	272	83	355	140	204	134	260	12	71
S80	3"	80	13	40	153	280	465	140	605	277	101	378	140	242	125	240	12	62
S83	3"	80	12	85	157	290	460	170	630	277	101	378	140	214	160	260	12	73

	DN	mm	B	B1	B2	B3	F	F1	F2	H	H1	H2	H3	M	M1	N	N1	N2	R	P	S	S1	Kg
S65	2"	50	9,5	60	154	308	487	113	600	160	310	83	393	140	265	240	3	18	260	89	12	14	72
S68	2"	50	9,5	60	154	308	596	113	709	160	310	83	393	270	245	216	4	18	260	89	12	14	106
S85	3"	80	16	106	161	327	466	195	661	160	310	101	411	140	265	240	3	18	260	150	12	14	92
S88	3"	80	16	106	161	327	575	194	769	160	310	101	411	270	245	216	4	18	260	149	12	14	125
S100	4"	100	17	50	162	319	613	160	773	160	320	130	450	270	245	216	4	18	260	155	12	14	121
S105	3"	100	17	107	167	354	493	230	723	180	345	126	471	140	272	260	3	18	260	195	12	14	112
S120	4"	100	19	143	203	426	583	250	833	220	390	121	511	178	296	305	5	18	295	210	12	14	166
S150	6"	150	26	109	196	477	645	271	916	200	380	174	554	178	351	305	5	18	295	236	12	14	184
S160	6"	150	26	139	236	517	769	271	1040	230	410	174	584	254	370	385	5	18	315	236	14	14	273







Any questions? You may still have questions and/or comments after reading this brochure. Please feel free to contact us on +44 (0)1924 221 001. You can also respond via email to info@verder.co.uk. For more information about Verder S Series please visit our website www.verder.co.uk

VERDER S SERIES

VERDER Ltd.
3 California Drive
Castleford, WF10 5QH
United Kingdom

TEL +44 (0)1924 221 001
FAX +44 (0)113 246 5649
MAIL info@verder.co.uk
WEB www.verder.co.uk

AT Wien **BE** Aartselaar **BG** Sofia **CH** Basel **CN** Shanghai **CZ** Praha
DE Haan **FR** Eragny s/Oise **GB** Castleford **HU** Budapest **IT** Torre Boldone
JP Tokyo **NL** Groningen/Vleuten **PL** Katowice **RO** Bucuresti/Sibiu
SK Bratislava **RU** St Petersburg **US** Newtown/Macon **ZA** Northriding