

# Verdermag

## V-MD 55-2050 PP/ETFE



VERDERMAG®

### Description

The Verdermag V-MD non-metallic, centrifugal mag-drive pump is designed around providing the most common OEM requirements for optimum flow and head characteristics.

### Key benefits

- Specializing in leak-free operation and compact sizes
- Excellent for pumping hazardous liquids at low flow rates
- Balanced thrust load with special magnetic coupling
- Seal-less operation and long life
- Low maintenance and operations costs

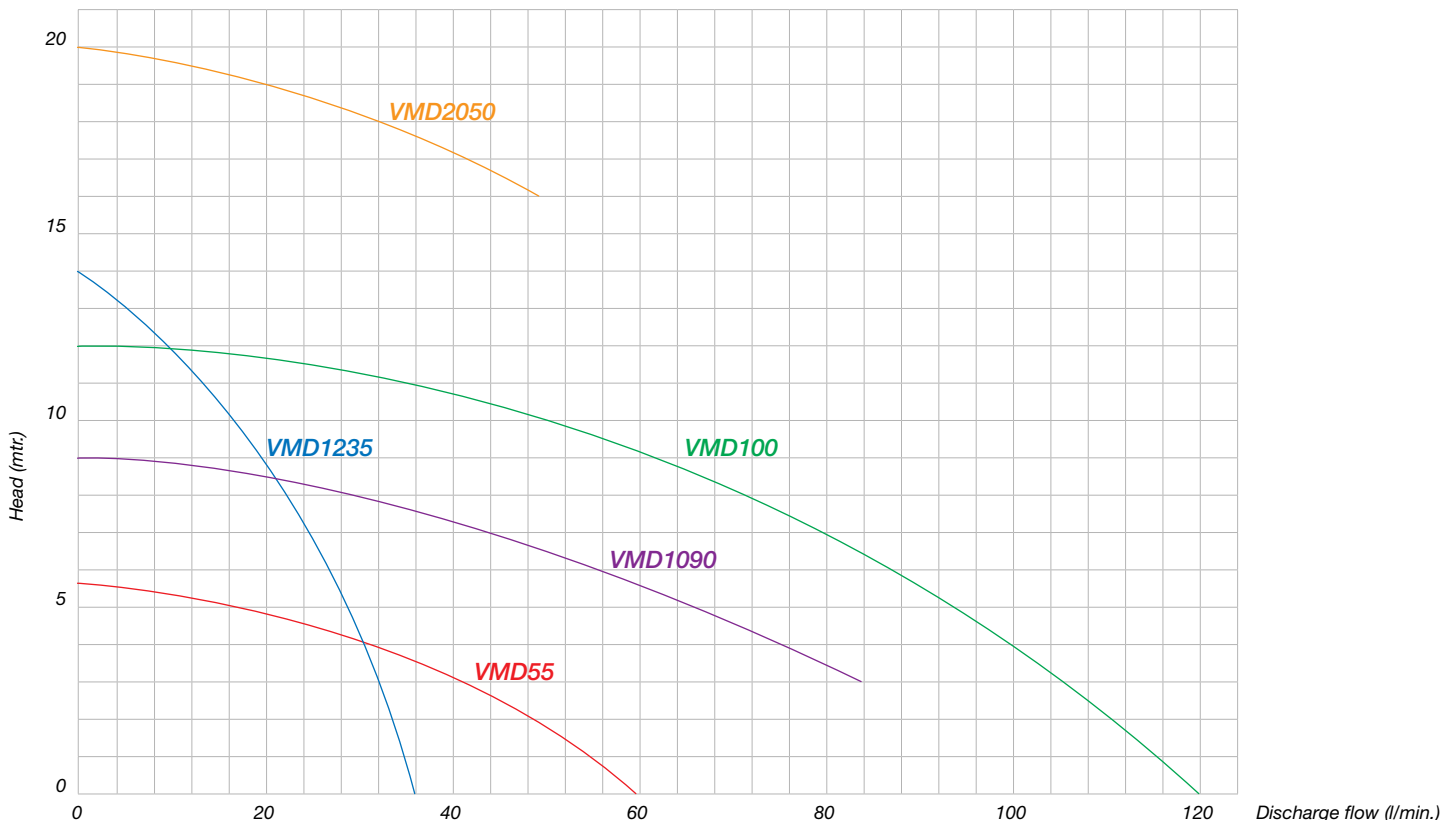
### Technical data

Discharge flow range	35 to 120 l/min	Maximum specific gravity	1.2 kg/m <sup>3</sup>
Maximum head range	5.5 to 20 m	Maximum system pressure	2.4 bar
Operating temperature PP	70 °C	Maximum allowable viscosity	20 cPs
Operating temperature ETFE	90 °C	Nominal speed	2700 rpm

### Motor specifications

Power input	130 to 390 W	Type of motor	Single Phase
Power output	90 to 250 W	Insulation type	E
Applicable voltage	200 - 240 V - 50 Hz, 1 ph		

### Performance curve standard models 50Hz 5.6m/60 l - 12m/120 l p/min



Performance data is based on clean water at 20°C with flooded suction.  
Magnetic pumps must not be operated with discharge valve closed continuously.

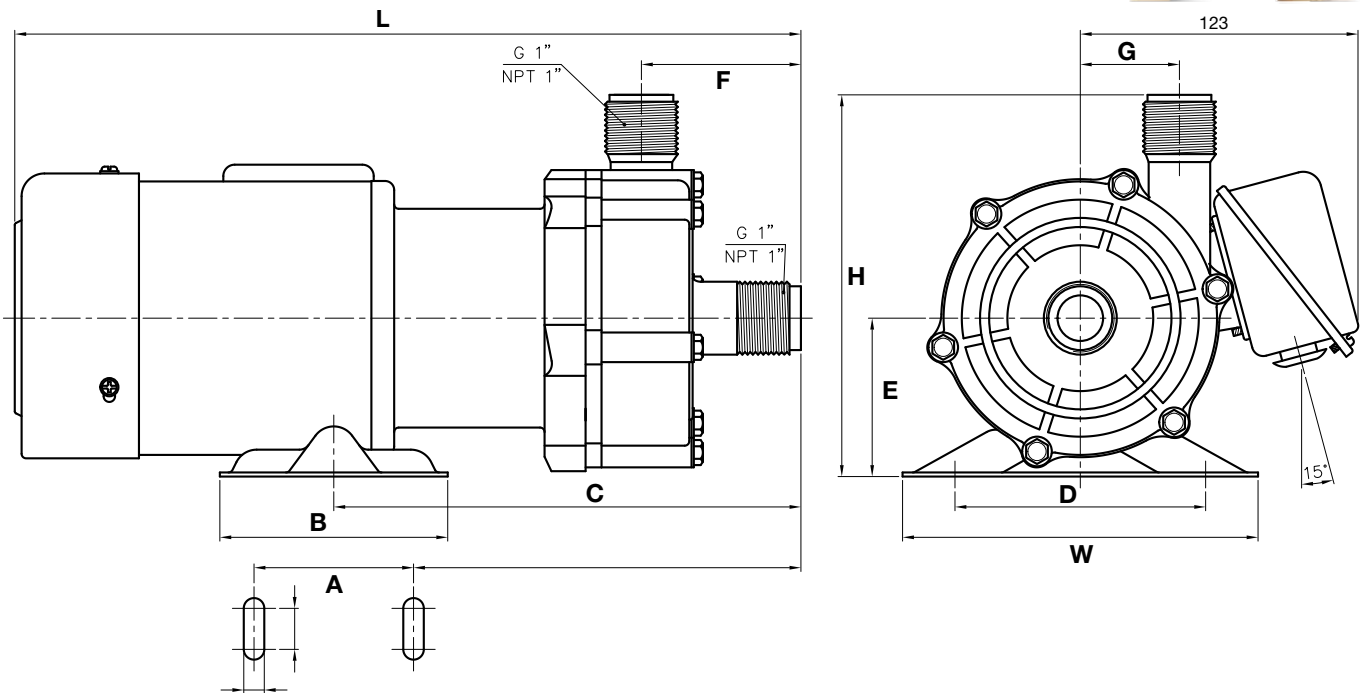


# Verdermag

V-MD 55-2050 PP/ETFE



## Dimensions



Type	W	H	L	A	B	C	D	E	F	G	Hose connections (mm)	Thread Connections (inches)
V-MD 55	120	164	300	40	64	199	100	66	70	43.5	25	1"
V-MD 1090	156	168	355	70	100	205	110	69.5	70	43.5	25	1"
V-MD 1235	156	168	355	70	100	205	110	69.5	70	43.5	25	1"
V-MD 2050	320	175	385	50	110	200	220	75	55	59	25	1"
V-MD 100	156	165	365	70	100	195	110	66	70	43.5	26	1"

Above drawing is for general purposes only. Pump specific drawings are available on request.

VM\_V\_MD\_55-2050 PP/ETFE\_Techmosheet\_rev01\_2017\_(eu)



Find your local supplier at [www.verderliquids.com](http://www.verderliquids.com)

For construction, installation and floor mounting drawings please contact your local authorised Verdermag® distributor.

**VERDER**  
passion for pumps

VERDERMAG®