

Verderlobe

Rotary Lobe Pump Classic+



VERDERLOBE®

Description

The rotary lobe pumps Verderlobe made by Wright Flow technologies are a proven classic. Since decades the Classic+ pumps work reliable all around the globe. Classic+ rotary lobe pumps are used in a wide range of application in the food, dairy, pharma and petrochemical industries.

Your benefits

- Wide range of porting options e.g. Tri-Clamp, flanged, DIN, BSP, NPT, etc,
- Different o-ring and mechanical seals available
- Heating and cooling jackets available
- Self draining capability
- Easy maintenance
- Universal mounting
- Low shear rate
- 3A, FDA and Atex compliant, standard surface finish 0.8 µm

Technical Data

Max flow rate [m³/h]	205
Max differential pressure [bar]	12
Max viscosity [mPas]	250,000
Max temperature [°C]	150

Overview

Model	Max flow [l/rev]	Max pressure [bar]	Connection Ø [mm]	Max pump speed [rpm]
CP10/0005/12	0.046	12	25	1400
CP10/0008/08	0.083	8	40	1400
CP10/0011/05	0.111	5	40	1400
CP20/0020/12	0.202	12	40	1000
CP20/0031/07	0.313	7	50	1000
CP30/0069/12	0.694	12	50	750
CP30/0113/07	1.125	7	80	750
CP40/0180/12	1.800	12	80	700
CP40/0250/07	2.500	7	100	700
CP50/0351/12	3.514	12	100	650
CP50/0525/08	5.250	8	150	650



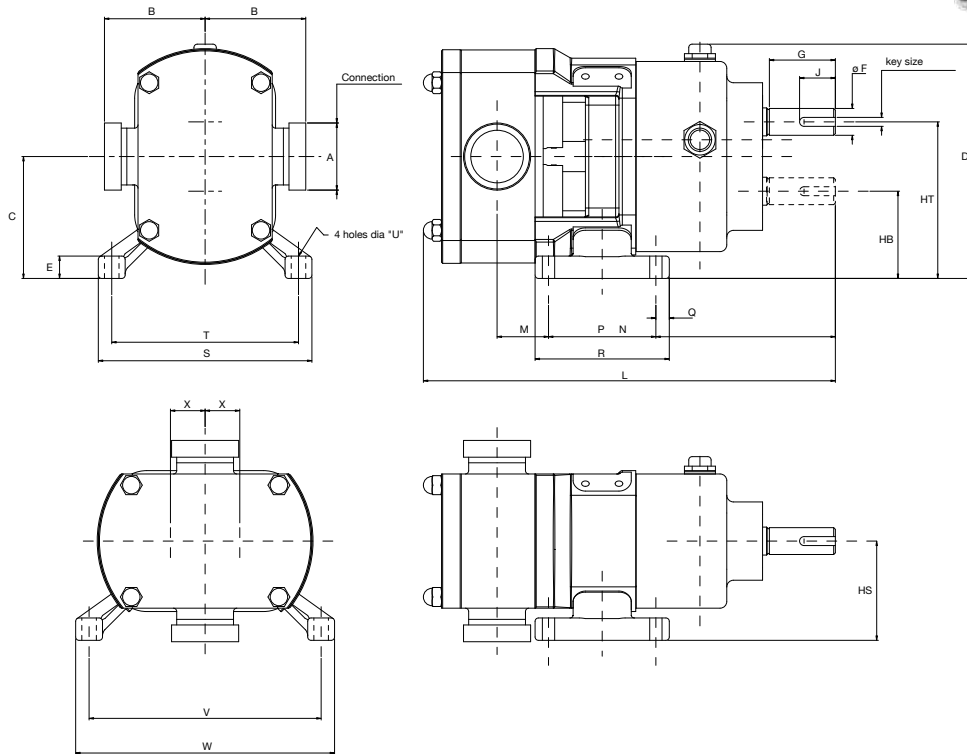
Verderlobe

Rotary Lobe Pump Classic+



VERDERLOBE®

Dimensions



Model	A	B1	B2	B3	B4	B5	C	D	E	F	G	HB	HS	HT	J	K	L	M	N	P	Q	R	S	T	U	V	W	X	Weight [kg]
CP10/0005	25	89	89	103	103	103	74	157	10	18 j6	28	48	63	100	25	6	249	47.5	116.4	45	10	65	146	126	8.5	162.5	183	26	13
CP10/0008	40	89	111	103	103	103	74	157	10	18 j6	28	48	63	100	25	6	264	54.5	116.4	45	10	65	146	126	8.5	162.5	183	26	14
CP10/0011	40	89	111	103	103	103	74	157	10	18 j6	28	48	63	100	25	6	276	65.5	116.4	45	10	65	146	126	8.5	162.5	183	26	15
CP20/0020	40	98	120	112	112	112	109	219	20	24 j6	59	78	88.75	140	32	8	349	35	160.5	96	12	120	195	167	11	207.5	235.5	31	28
CP20/0031	50	98	120	112	112	120	109	219	20	24 j6	59	78	88.75	140	32	8	369	46	160.5	96	12	120	195	167	11	207.5	235.5	31	31
CP30/0069	50	124	146	138	138	146	133.5	272	25	38 k6	69,5	87	111.3	180	40	10	443	60.6	196.5	115	15	145	258	228	13	272.3	302.3	46,5	71
CP30/0113	80	124	156	138	146	151	133,5	272	25	38 k6	69,5	87	111.3	180	40	10	478	80.6	196.5	115	15	145	258	228	13	272.3	302.3	46,5	77
CP40/0180 h.	80	159	191	173	181	186	177	343	23	48 k6	110	114	175	240	90	14	647	163	262.8	120	22.5	165	220	184	18	-	-	63	150
CP40/0180 v.	80	159	191	173	181	186	177	343	23	48 k6	110	114	175	240	90	14	647	131	230.75	184	18	220	-	-	18	2289	273	63	150
CP40/0250 h.	100	163	206	173	181	186	177	343	23	48 k6	110	114	175	240	90	14	679	181.3	262.8	120	22.5	165	220	184	18	-	-	63	150
CP40/0250 v.	100	163	206	173	181	186	177	343	23	48 k6	110	114	175	240	90	14	679	149.5	230.75	184	18	220	-	-	18	228	273	63	162
CP50/0351 h.	100	188	235	210	210	215	215	422	30	60 m6	104	135	205	295	59	18	755	212	285	150	25	200	260	220	20	-	-	80	252
CP50/0351 v.	100	188	235	210	210	215	215	422	30	60 m6	104	135	205	295	59	18	755	168	241	238	20	278	-	-	20	250	300	80	252
CP50/0525 h.	150	-	-	182	182	-	215	422	30	60 m6	104	135	205	295	59	18	815	240	285	150	25	200	260	220	20	-	-	80	274
CP50/0525 v.	150	-	-	182	182	-	215	422	30	60 m6	104	135	205	295	59	18	815	196	241	238	20	278	-	-	20	250	300	80	274

h: horizontal
v: vertical

VL_CLASSIC+_Technosheet_rev01_2017_(UK)_(eu)



Find your local supplier
at www.verderliquids.com

For construction, installation and floor mounting drawings
please contact your local authorised Verderlobe® distributor.

VERDER
passion for pumps