

# VERDERGEAR

VGS 330, 230V

## Description

Verdergear gear pumps are ideally suited for the precise and repeatable pumping of hazardous liquids or expensive chemicals. They operate pulsation-free and due to the magnetic coupling they are absolutely leakage-free.

This pump is equipped with a 230 V (1 phase) AC motor and has a frequency converter incl. potentiometer as well as an internally wired forced cooling fan. A speed range of 50-5000 rpm is adjustable.

The frequency inverter is configured via an integrated adjustment module with digital display.

Control is via potentiometer or interfaces such as 0-10 V, 4-20 mA or RS485. As an option, common interfaces such as Profi Bus, CANopen, EtherCAT, Mod Bus RTU or sercos are of course also available.

## Your Benefits

- Very reliable, pulsation-free pumping
- High dosing accuracy
- Corrosion resistant materials
- Very service-friendly
- Large adjustment range
- No external frequency converter required
- One motor for different pump heads

## Technical details

Max. flow	330 l/h @3000 rpm	Viscosity*	1-2000 cPs
Max. differential pressure	7 bar	Connections**	1/4" NPT
Max. system pressure	34 bar	Noise level	< 70 dB (A)
Speed	50-5.000 rpm	Temperature***	-46 to +176 °C

\*Higher viscosities possible on request

\*\*Optional 1/8" NPT

\*\*\*Gear trim from 60 °C

## Materials

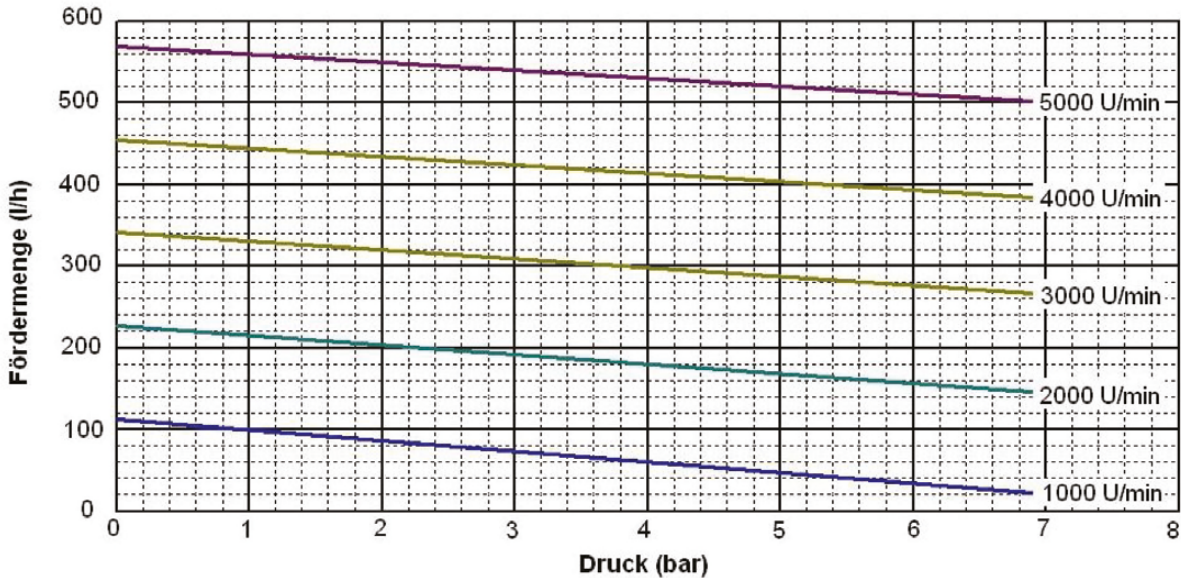
Description	Material	Optional
O-ring	PTFE	Viton
Gears	PEEK	PPS
Casing	Stainless steel 316	Hastelloy, Titan



## VERDERGEAR

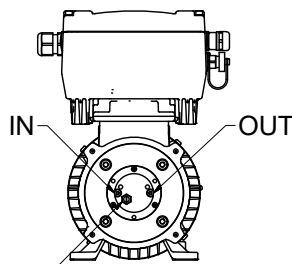
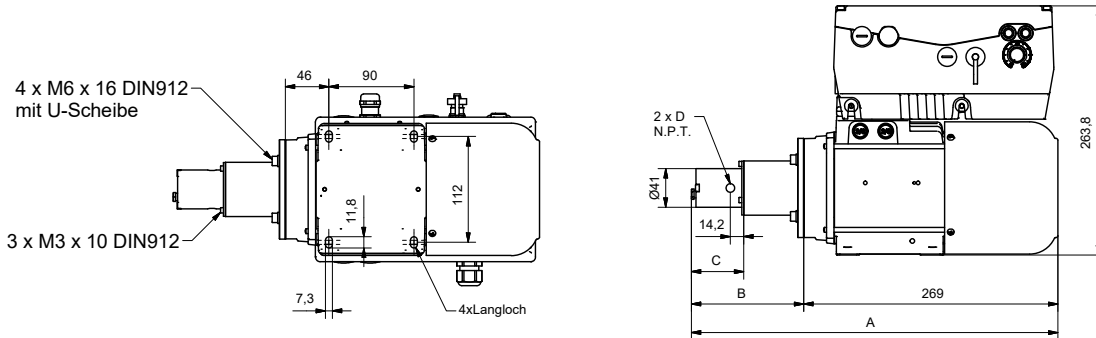
VGS 330, 230V

### Performance curve



The performance curves shown apply to:  
 1 bar suction pressure; 20 °C medium temperature; 1 cPs medium viscosity; by-pass valve completely closed.

### Dimensions



A	B	C	D
405,2 mm	136,2 mm	72,7 mm	1/4"

All dimensions in mm (dimensions are for guidance only)

Find your local supplier at  
[www.verderliquids.com](http://www.verderliquids.com)

**VERDER**  
 passion for pumps

