

# VERDERGEAR

VGS 004, 230V

## Description

Verdergear gear pumps are ideally suited for the precise and repeatable pumping of hazardous liquids or expensive chemicals. They operate pulsation-free and due to the magnetic coupling they are absolutely leakage-free.

This pump is equipped with a 230 V (1 phase) AC motor and has a frequency converter incl. potentiometer as well as an internally wired forced cooling fan. A speed range of 50-5000 rpm is adjustable.

The frequency inverter is configured via an integrated adjustment module with digital display.

Control is via potentiometer or interfaces such as 0-10 V, 4-20 mA or RS485. As an option, common interfaces such as Profi Bus, CANopen, EtherCAT, Mod Bus RTU or sercos are of course also available.

## Your Benefits

- Very reliable, pulsation-free pumping
- High dosing accuracy
- Corrosion resistant materials
- Very service-friendly
- Large adjustment range
- No external frequency converter required
- One motor for different pump heads

## Technical details

Max. flow	4,4 l/h	Viscosity*	0,2-1500 cPs
Max. differential pressure	16 bar	Connections	1/8" NPT
Max. system pressure	21 bar	Noise level	< 70 dB (A)
Speed	50-5.000 rpm	Temperature**	-46 to +122 °C

\*Higher viscosities possible on request

\*\*Gear trim from 60 °C

## Materials

Description	Material
O-ring	PTFE
Gears	Graphit
Casing	Stainless steel 316

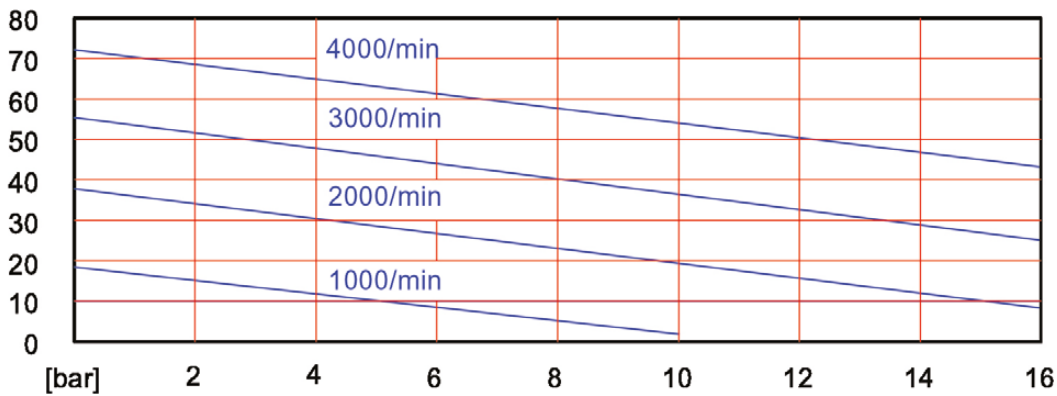


## VERDERGEAR

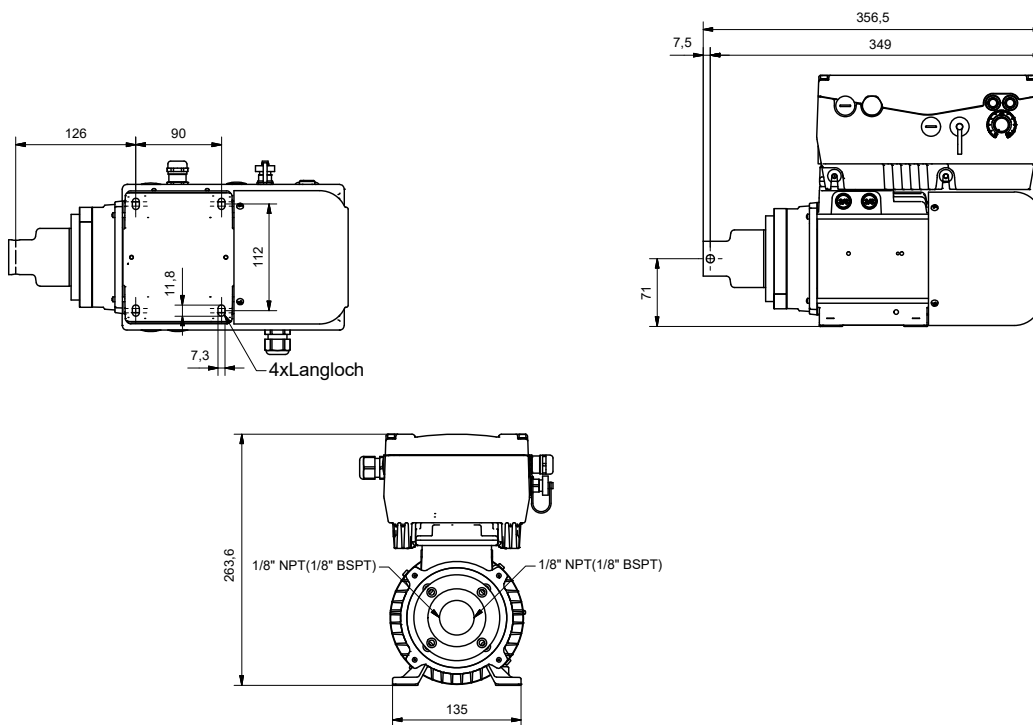
VGS 004, 230V

### Performance curve

[ml/min]

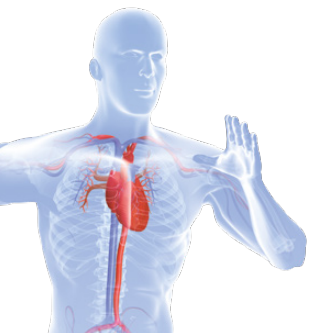


### Dimensions



All dimensions in mm (dimensions are for guidance only)

Rev-13-02-2019



Find your local supplier at  
[www.verderliquids.com](http://www.verderliquids.com)

**VERDER**  
 passion for pumps