

Verderflex

Vantage 3000 C R3i



VERDERFLEX®

Verderflex Vantage 3000 C R3i Specification	
Pump head	Aluminium, Powder Coated, Perspex Front Cover
Control Options	Analogue Inputs (0-10V DC / 4 to 20mA), Potentiometer (10kΩ), Remote Stop / Start / Reverse (Footswitch)
Software Features	Keypad Lock, Memory Dose
Display	2 Line Alphanumeric Display
Motor	24 Hour Duty Brushless DC
Rotor	Anodised Aluminium Nylatron® Rollers
Power Supply	85 - 265V AC 50/60Hz with Fuseless Resetable Switch
Speed	10 to 250 RPM
Protection Class	IP66
Standard Tube	Verderprene, Silicone (Tygon®, Viton® : some sizes to special order)
Tube Sizes	1/4" x 1/8", 5/16" x 1/8", 3/8" x 1/8" (6.4 x 3.2mm, 8.0 x 3.2mm, 9.6 x 3.2mm)
Weight	11 lbs

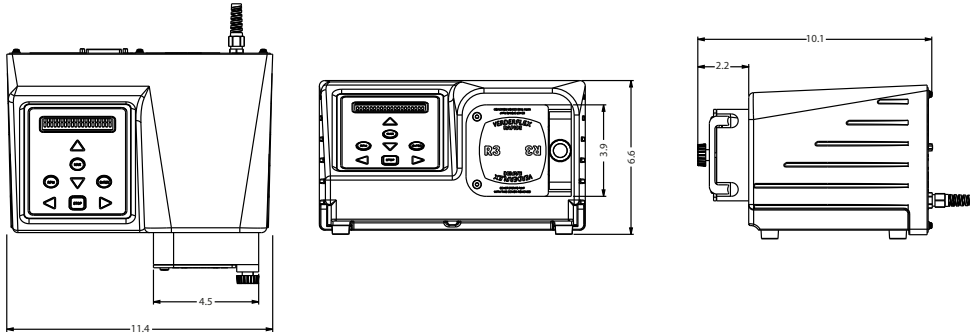
Flow Rates

Tube (ID x WT)	RPM	Flow in GPH	Flow in GPM	Flow ml/min	Flow l/hr
1/4" x 1/8"	10	0.9	0.01	55	3.3
1/4" x 1/8"	120	10.5	0.17	660	39.6
1/4" x 1/8"	200	17.4	0.29	1100	66
1/4" x 1/8"	250	21.8	0.36	1375	82.5
5/16" x 1/8"	10	1.5	0.03	97	5.8
5/16" x 1/8"	120	18.4	0.31	1164	69.8
5/16" x 1/8"	200	30.7	0.51	1940	116
5/16" x 1/8"	250	38.4	0.64	2425	146
3/8" x 1/8"	10	2.1	0.04	130	7.8
3/8" x 1/8"	120	24.7	0.41	1560	93.6
3/8" x 1/8"	200	41.2	0.69	2600	156
3/8" x 1/8"	250	51.5	0.86	3250	195

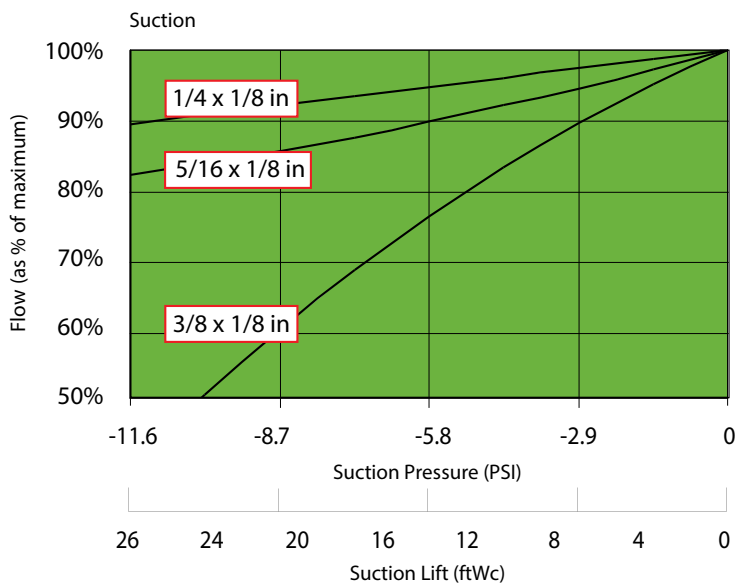
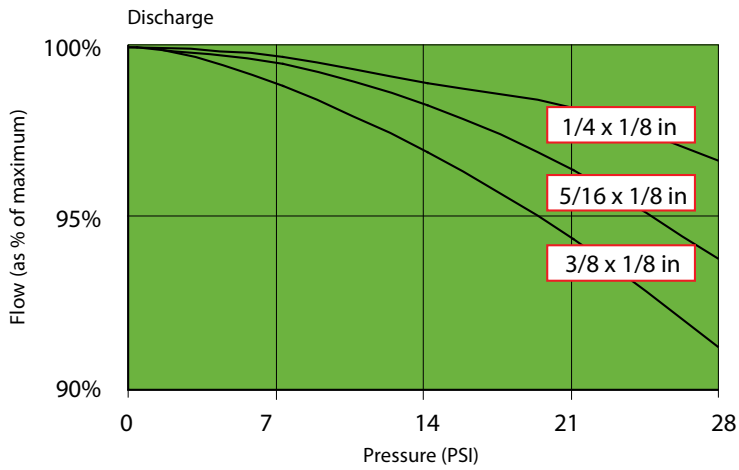
Flows are typical and were measured with water at 68°F with no suction lift or discharge pressure. Actual flows will vary according to suction conditions, discharge pressure and normal component production tolerances.



Verderflex Vantage 3000 C R3i



All dimensions are in inches.
All dimensions and weights are for guidance only.



VF_Techno_Vantage_3000_Rev02_2013_(us)

**Find your local supplier
at www.verderflex.com**

For construction installation and floor mounting drawings
please contact your local authorised Verderflex® distributor.

VERDER
passion for pumps