

# Verderflex

## Vantage 3000 C EZ



VERDERFLEX®

### Verderflex Vantage 3000 C EZ Specification

Pump head	Acetal and Polyamide, Stainless Steel Shafts, Nylatron® Rollers, Ball Race Bearings
Control Options	Analogue Inputs (0-10V DC / 4 to 20mA), Potentiometer (10kΩ), Remote Stop / Start / Reverse (Footswitch Option Available)
Software Features	Keypad Lock, Memory Dose
Display	2 Line Alphanumeric Display
Motor	24 Hour Duty Brushless DC
Rotor	Polycarbonate with Nylatron® Rollers
Power Supply	85 - 265V AC 50/60Hz with Fuseless Resettable Switch
Speed	10 to 250 RPM
Protection Class	IP66
Standard Tube	Verderprene, Silicone, Tygon®, Viton®
Tube Sizes	1/32" x 1/16", 1/16" x 1/16", 1/8" x 1/16", 3/16" x 1/16", 1/4" x 1/16", 5/16" x 1/16" (0.8 x 1.6mm, 1.6 x 1.6mm, 3.2 x 1.6mm, 4.8 x 1.6mm, 6.4 x 1.6mm, 8.0 x 1.6mm)
Weight	9.9 lbs
Number of Heads	Single Head Standard, expandable to 4 using ES Stacking Heads (depending on tube size)

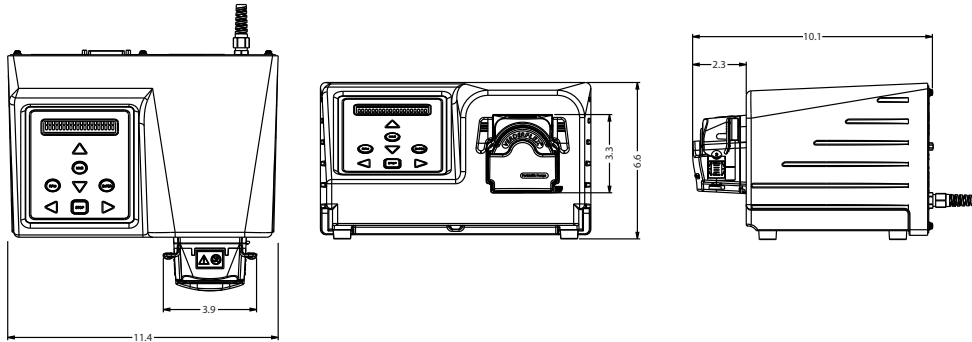
### Flow Rates

Tube (ID x WT)	RPM	Flow in GPH	Flow in GPM	Flow ml/min	Flow l/hr
1/32" x 1/16"	10	0.013	0.0002	0.9	0.051
1/32" x 1/16"	75	0.088	0.0015	5.6	0.335
1/32" x 1/16"	150	0.18	0.003	11.3	0.68
1/32" x 1/16"	250	0.298	0.005	18.8	1.13
1/16" x 1/16"	10	0.045	0.001	2.9	0.172
1/16" x 1/16"	75	0.3	0.005	21	1.28
1/16" x 1/16"	150	0.7	0.0117	42	2.52
1/16" x 1/16"	250	1.1	0.02	70	4.2
1/8" x 1/16"	10	0.2	0.003	11	0.64
1/8" x 1/16"	75	1.3	0.02	81	4.86
1/8" x 1/16"	150	2.6	0.04	161	9.66
1/8" x 1/16"	250	4.3	0.07	268	16.1
3/16" x 1/16"	10	0.4	0.01	23	1.4
3/16" x 1/16"	75	2.8	0.05	175	10.5
3/16" x 1/16"	150	5.6	0.09	353	21.2
3/16" x 1/16"	250	9.3	0.16	588	35.3
1/4" x 1/16"	10	0.6	0.01	37	2.24
1/4" x 1/16"	75	4.5	0.08	282	16.9
1/4" x 1/16"	150	8.9	0.15	563	33.8
1/4" x 1/16"	250	14.9	0.25	938	56
5/16" x 1/16"	10	0.8	0.01	52.7	3.16
5/16" x 1/16"	75	6.2	0.1	393	23.6
5/16" x 1/16"	150	12.5	0.21	788	47.3
5/16" x 1/16"	250	20.8	0.35	1310	78.8

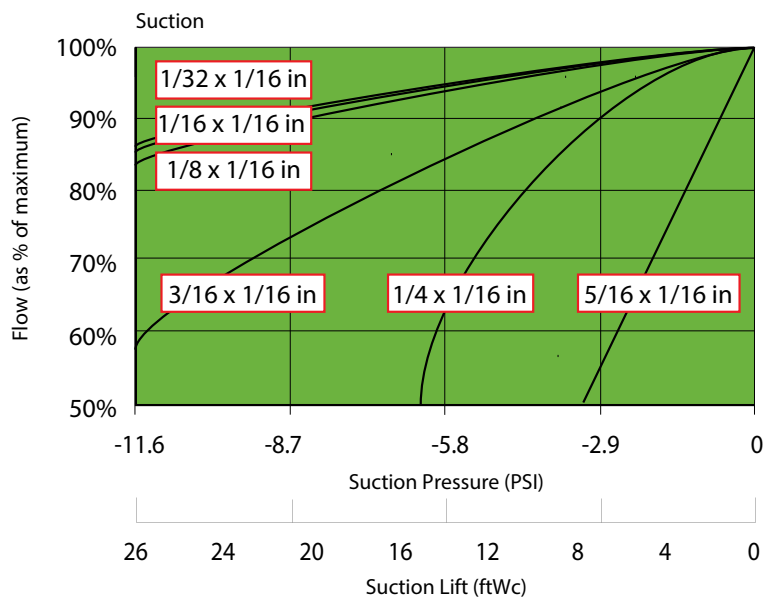
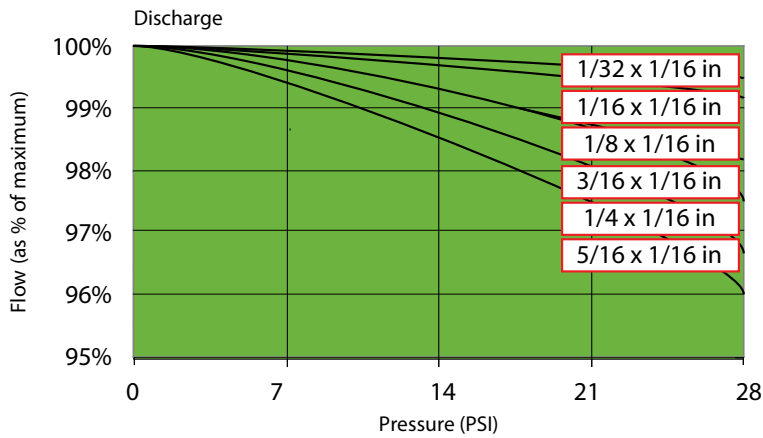
Flows are typical and were measured with water at 68°F with no suction lift or discharge pressure. Actual flows will vary according to suction conditions, discharge pressure and normal component production tolerances.



# Verderflex Vantage 3000 C EZ



All dimensions are in inches.  
All dimensions and weights are for guidance only.



VF\_Techno\_Vantage\_3000\_Rev02\_2013\_(us)

Find your local supplier  
at [www.verderflex.com](http://www.verderflex.com)

For construction installation and floor mounting drawings  
please contact your local authorised Verderflex® distributor.

**VERDER**  
passion for pumps