

# Verderflex

## Dura 7



VERDERFLEX®

### Description

The Verderflex Dura 7 is a compact, high pressure hose pump with superior secondary containment. Designed for dosing, metering, sampling, high lift or medium head applications in brewing, chemical processing, industrial plants, water treatment and effluent and waste water processing

### Features and benefits

- Ideal for abrasive or high solid content slurries
- Self Priming, problem free pumping of gaseous liquids
- Easily pumps viscous liquids
- Gentle low shear pumping action
- Dry running capabilities
- Long life hoses
- No seals or valves
- Optional ATEX

### Technical data

Maximum Flow Rate	10.5 GPH	Maximum Medium Temperature	176°F *
Maximum Discharge Pressure	120 PSI	Maximum Incompressible Solid Size	1/32"
Maximum Suction Lift	31 ftwc	Maximum Compressible Solid Size	1/16"
Hose ID	7 mm		

\* Continuous use with NR hose

### Materials

Description	Material	Paint Detail
Pump Housing	Cast Iron (GG25)	Green Powder Coated
Front Cover	Carbon Steel with Plexiglass Inspection Window	Powder Coated
Rotor	Cast Iron (GG25)	
Drive Shaft	EN24T Steel	
Port Flange	316 Stainless Steel Universal slotted design fits with DIN PN16, ANSI 150# & JIS10K Options: 316 Stainless Steel with Hose Tail Connection 304 Stainless Steel with Polypropylene or P.V.D.F Insert	
Mounting Frame	Carbon Steel	Powder Coated
Gearbox Flange	Aluminium	
Bearing	Bearing Steel	
Shaft Seal	Viton Option: PTFE	
Lubricant	Verderlube - Glycerine based lubricant Verdersil - Silicone based lubricant	
Hose	Natural Rubber (NR) Options: Nitrile Buna Rubber (NBR) and Hypalon® (CSM)	
Weight	Complete pump excluding drive: 44 lb	

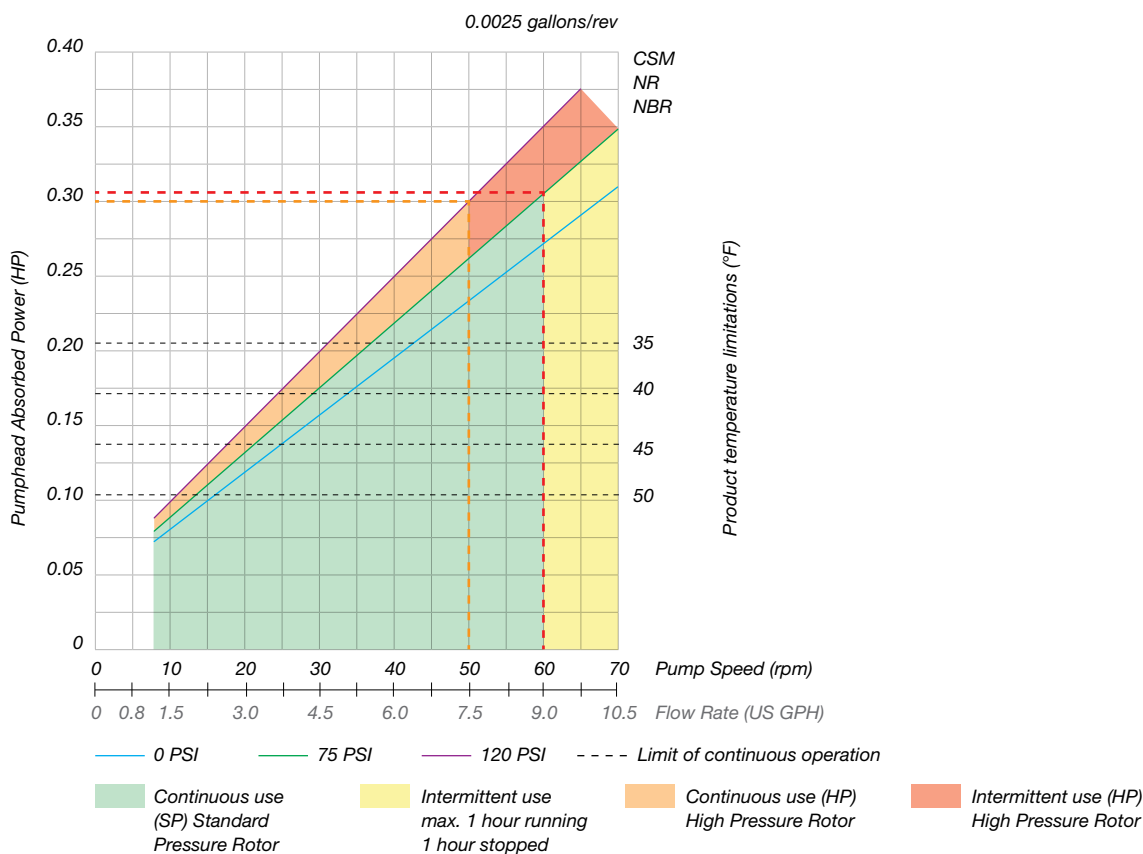




### Standard Pump Options for 60Hz Motor Fitted With Worm Gearbox, Suitable for Inverter Duty

Flow GPH	Pump Speed RPM	Maximum Pressure PSI
5.2	35	116
6.6	44	116
8.6	58	116
10.4	70	116
13.1	88	116

### Performance curve



Flows are typical and were measured with water at 68°F with no suction lift or discharge pressure. Actual flows will vary according to suction conditions, discharge pressure and normal component production tolerances.



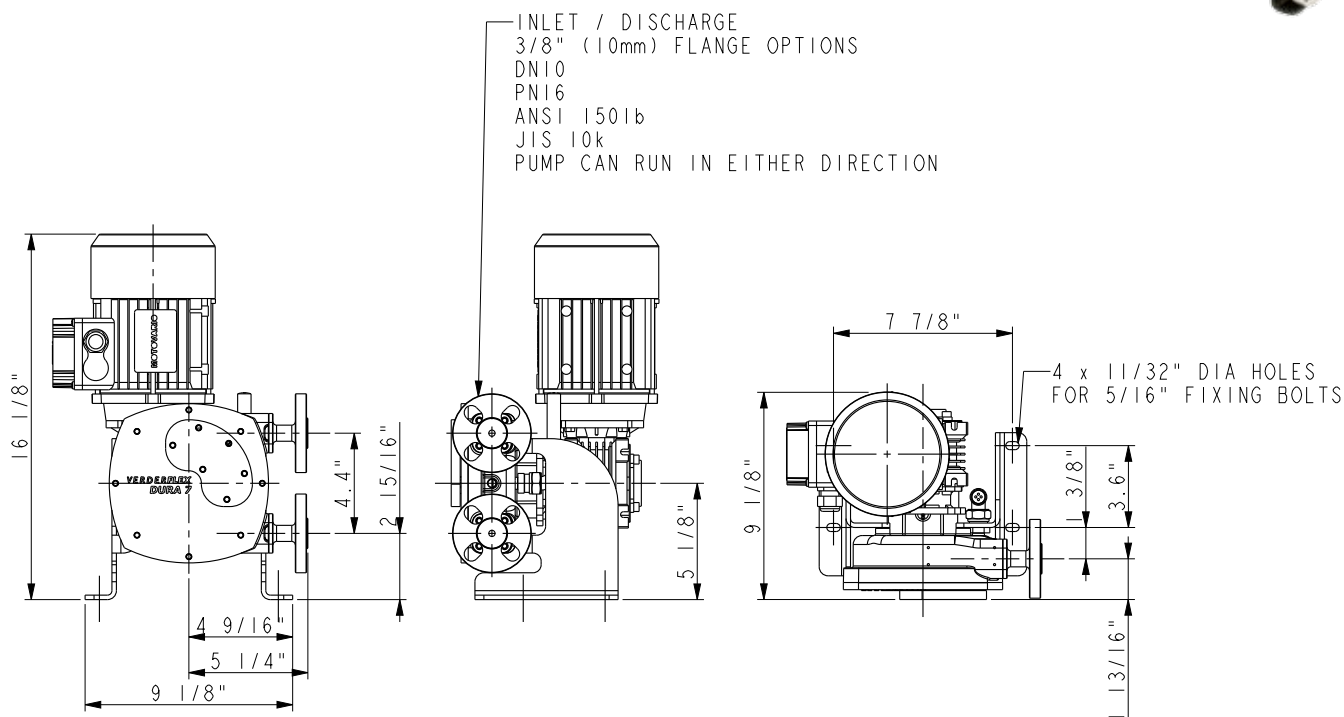
# Verderflex

## Dura 7



VERDERFLEX®

### Dimensions



All dimensions are in inches.

All dimensions and weights are for guidance only.



Find your local supplier at [www.verderflex.com](http://www.verderflex.com)

For construction, installation and floor mounting drawings please contact your local authorised Verderflex® distributor.

**VERDER**  
passion for pumps