

Verderflex

VP-PRO mA peristaltic dosing pump



VERDERFLEX®

Description

Digital, proportional peristaltic tube pump with an 0/4 - 20 mA signal.

Features

- Choice of 0/ 4-20 mA and definition of the proportionality range
- 2 Function modes: Constant or proportional
- Delay start programmable
- Alarm for temporary overdose, programmable
- LED Alarm status and programming
- Pump body in PP
- Protection class IP 55
- Instant flow rate % visualization
- 230 VAC, 50-60 Hz
- On/off switch

Optional

- Input signal level probe

Materials

	Standard material	Optional
Pump body	PP	-
Roller	DELFIN	-
Tube	Santoprene	-
Power consumption	8 Watt	-
Nuts	PP M10	-
Fittings	PP tubo 4 x 6	-
Foot filter	Lip valve	Ball valve
Suction tube	PVC 4 x 6	PVDF
Delivery tube	PE 4 x 6	PVDF

Technical data

	Max l/h	Pressure bar	Max cc	Max operating temperature °C	Ø int x ext mm	Pump body material	Power c Watt	rpm	Weight kg
1.5-01	1.5	1	25	65	5.8 x 9.3	PP	8	10	1.8
03-01	3	1	50	65	5.8 x 9.3	PP	8	20	1.8
06-01	6	1	100	65	5.8 x 9.3	PP	8	40	1.8

Verderflex

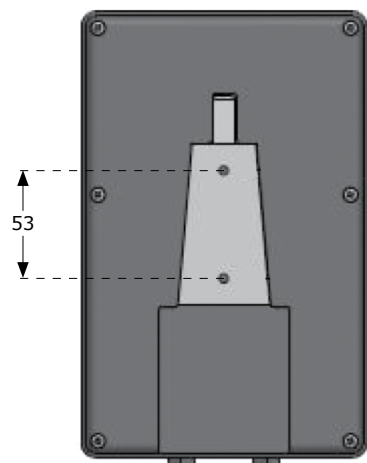
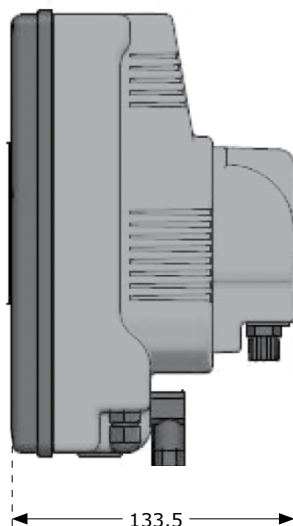
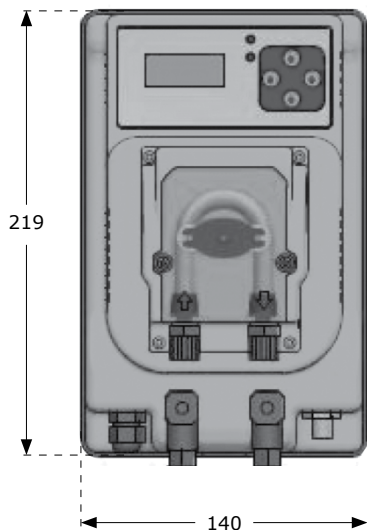
VP-PRO mA peristaltic dosing pump

VERDERFLEX®



Dimensions

(in mm)



Standard installation kit

1/2" PP-VL-VT Talco Lip	Foot Filter PP-VL-VT	Suction tube 2 m PVC 4x6	Delivery tube 2 m PE 4x6
			

flex_VP-PRO-mA_2015_rev1_UK-(uk)



Find your local supplier
at www.verderdos.com

For construction, installation and mounting drawings
please contact your local authorised Verderdos distributor.

VERDER
passion for pumps