

# Verderflex

## VP2-R tube pump with flow rate control

### Description

Peristaltic pump with manual flow rate regulation.  
Flow rating 0÷100% adjustable using a trimmer.  
Can work independently with a signal 20/260 VAC.



### Materials

|              |   |
|--------------|---|
| Pump body    | PP reinforced with 30 % fiberglass                                      |
| Max pressure | 1 bar (Santoprene tubing)<br>3 bar (Silicon tubing: rinse applications) |
| Roller       | Delrin  |
| Tube         | Santoprene  |
| Power supply | 20 - 260 VAC, 50 - 60 Hz  |
| Connections  | PP 1/8"   |
| Fittings     | PP 4 x 6  |
| Optional     | Silicon Tubing for rinse application                                    |

Standard supplied with a SCHUKO plug

### Materials

| Detergent installation kit | detergent           | rinse aid           |
|----------------------------|---------------------|---------------------|
| Suction tube               | PVC 4 x 6           | PVC 4 x 6           |
| Delivery tube              | PVC 4 x 6           | PE 4 x 6            |
| Injection valve            | PP 90°              | Steel 1/8"          |
| Foot filter                | Steel rubber holder | Steel rubber holder |

### Technical data

|        | Max l/h | Pressure bar | Max cc | Max operating temperature °C | Tubing material | Tube ø mm | Pump body material | Power c Watt | rpm | Weight kg |
|--------|---------|--------------|--------|------------------------------|-----------------|-----------|--------------------|--------------|-----|-----------|
| 1.5-01 | 1.5     | 1            | 25     | 65                           | Santoprene      | 5.8 x 9.4 | PP                 | 35           | 10  | 0.5       |
| 04-01  | 4       | 1            | 66.67  | 65                           | Santoprene      | 5.8 x 9.4 | PP                 | 35           | 30  | 0.5       |
| 06-01  | 6       | 1            | 100    | 65                           | Santoprene      | 5.8 x 9.4 | PP                 | 35           | 40  | 0.5       |
| 12-01  | 12      | 1            | 200    | 65                           | Santoprene      | 5.8 x 9.4 | PP                 | 35           | -   | 0.5       |
| 20-01  | 20      | 1            | 334    | 65                           | Santoprene      | 5.8 x 9.4 | PP                 | 35           | -   | 0.5       |
| 01-03  | 1       | 3            | 16.67  | 65                           | Silicone        | 5 x 10    | PP                 | 35           | 20  | 0.5       |

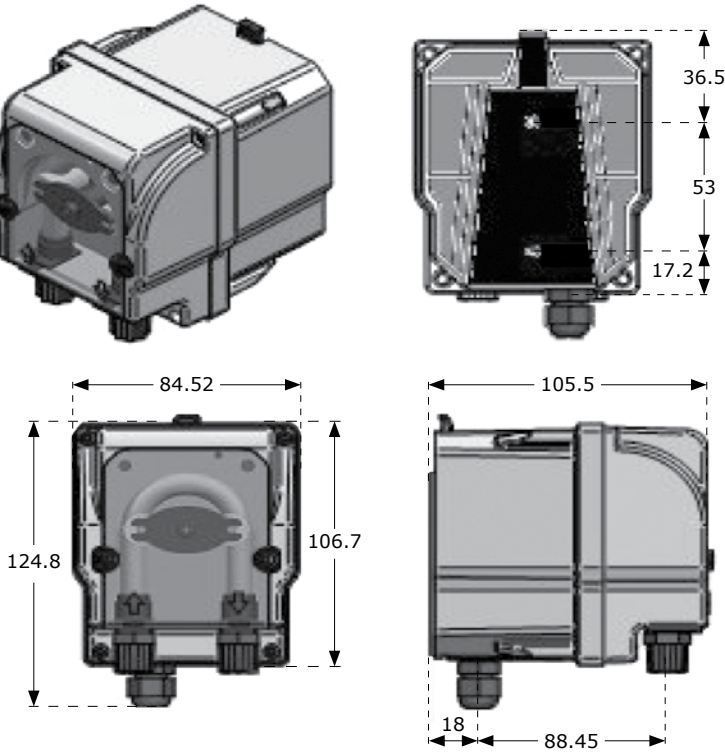
# Verderflex

## VP2-R tube pump with flow rate control

VERDERFLEX®

### Dimensions

(in mm)



### Standard accessories kit

| 1/2" PP-VL-VT<br>Talco Lip | Foot Filter<br>PP-VL-VT | Suction tube<br>2 m PVC 4x6 | Delivery tube<br>2 m PE 4x6 |
|----------------------------|-------------------------|-----------------------------|-----------------------------|
|                            |                         |                             |                             |

flex\_VP2-R\_2015\_rev1\_UK-(uk)



Find your local supplier  
at [www.verderdos.com](http://www.verderdos.com)

For construction, installation and mounting drawings  
please contact your local authorised Verderdos distributor.

**VERDER**  
passion for pumps