

Verderflex

VP2-C 230 VAC tube pump to measure conductivity

VERDERFLEX®

Description

Peristaltic pump with a proportional flow rate according to conductivity values detected in water. Flow rating 0:100% adjustable.



Materials

Pump body	PP reinforced with 30 % fiberglass
Max pressure	1 bar
Roller	Delrin
Tube	Santoprene
Power supply	20 - 230 VAC, 50 – 60 Hz, 230 VAC only
Connections	PP
Fittings	PP 4 x 6

Standard supplied with a SCHUKO plug

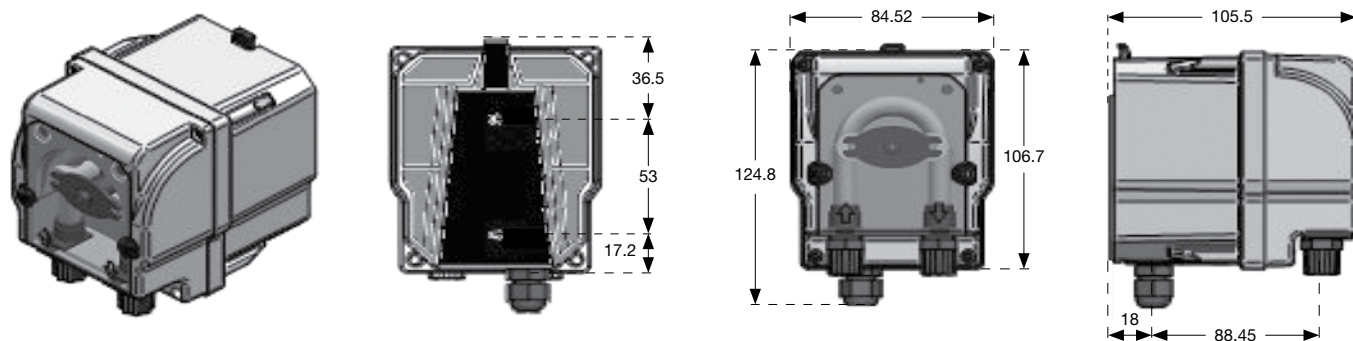
Detergent installation kit	detergent	rinse aid
Suction tube	PVC 4 x 6	PVC 4 x 6
Delivery tube	PVC 4 x 6	PE 4 x 6
Injection valve	PP 90°	Steel 1/8"
Foot filter	Steel rubber holder	Steel rubber holder

Technical data

	Max l/h	Pressure bar	Max cc/min	Max operating temperature °C	Tubing material	Tube ø mm	Pump body material	Power c Watt	rpm	Weight kg
1.5-01	1.5	1	25	65	Santoprene	5.8 x 9.4	PP	35	10	0.5
04-01	4	1	66.67	65	Santoprene	5.8 x 9.4	PP	35	40	0.5
06-01	6	1	100	65	Santoprene	5.8 x 9.4	PP	35	40	0.5

Dimensions

(in mm)





Verderflex

VP2-C 230 VAC tube pump to measure conductivity



VERDERFLEX®

Electrodes

	Model	Electrode	Range	Connection	Constant	Body
	PRO-CD-KJ1	Stainless steel AISI316	1 $\mu\text{s/cm}$ up to 20.000 $\mu\text{s/cm}$	jack	K=1 cm (1 cm-1) $\pm 5\%$	PVC
	PRO-CD-KJ5	Stainless steel AISI316	0.5-1 $\mu\text{s/cm}$ up to 1600 $\mu\text{s/cm}$	jack	K=5 cm (0,2cm-1) $\pm 5\%$	PVC

VF_VP2_C_230VAC_2017_rev1_UK-(uk)



Find your local supplier at www.verderflex.com

For construction, installation and floor mounting drawings please contact your local authorised Verderflex distributor.

VERDER
passion for pumps