



VERDERFLEX OEM

S20 Three Roller Pumps

Any questions? You may still have questions and/or comments after reading this brochure. Please feel free to contact us on +44 (0)1924 221 020 You can also respond via email to info@verderflex.com. For more information about Verderflex please visit our website www.verderflex.com



VERDERFLEX

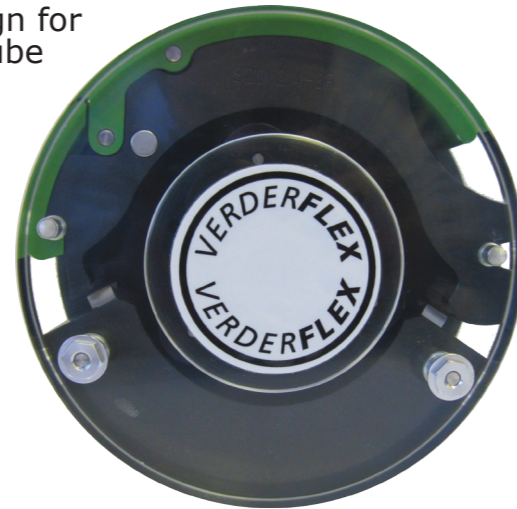
Unit 3, California Drive, **TEL** +44 (0)1924 221 020
 Castleford WF10 5QH **FAX** +44 (0)113 222 0291
 United Kingdom **MAIL** info@verderflex.com
WEB www.verderflex.com

AT Wien **BE** Aartselaar **BG** Sofia **CH** Basel **CN** Shanghai **CZ** Praha **DE**
 Haan **FR** Eragny s/Oise **GB** Castleford **HU** Budapest **IT** Torre Boldone
JP Tokyo **NL** Groningen/Vleuten **PL** Katowice **RO** Bucuresti/Sibiu
RU St Petersburg **SK** Bratislava **US** Newtown/Macon **ZA** Northriding

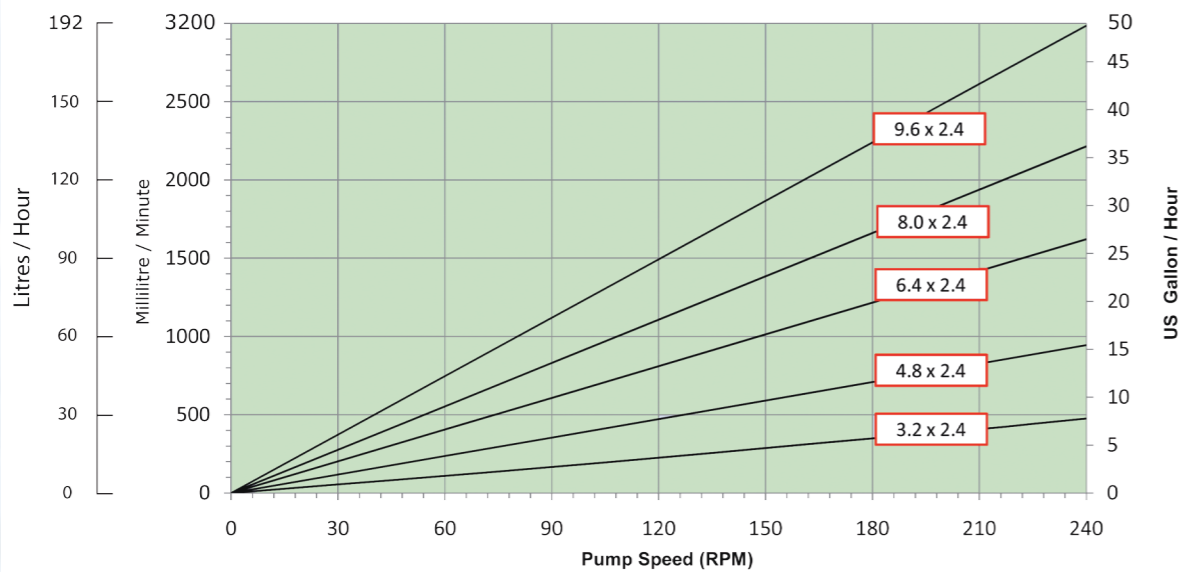
S20 - 3 roller

The S20 pump head design features a quick tube change, ergonomic design for ease of use and fits five standard tube sizes.

- Flow rates up to 3.2 l/min (50 US GPH)
- Pressures up to 2 Bar (29 PSI)
- Typically used in:
 - Chemical dosing,
 - Industrial fluid transfer,
 - Heavy duty environments



S20 - 3 Roller Free Flow Curve



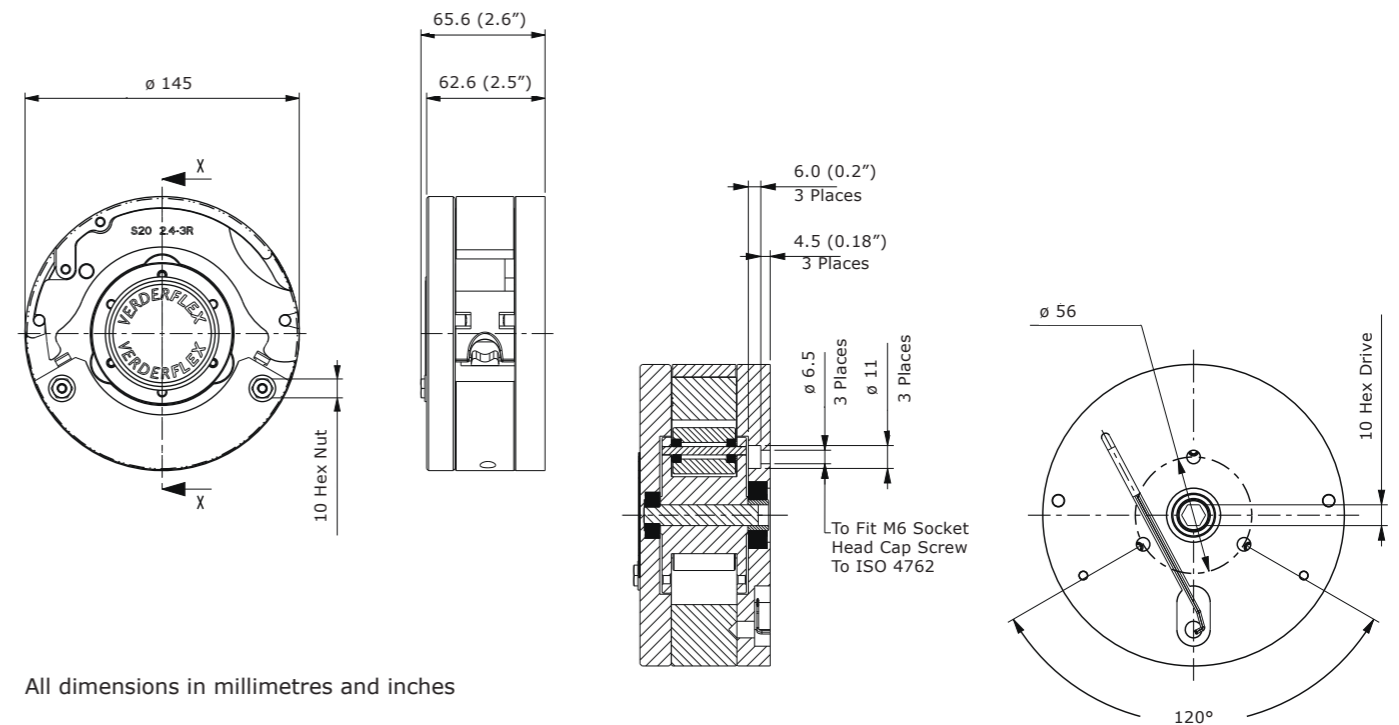
Technical Overview

Pump Specifications	
Fits a range of tube sizes and materials	Stainless Steel rotor shaft
Simple adjustable tube clamping system	Polyoxymethylene (POM) clamp-base
Fits a variety of pump enclosures	Polymethylmethacrylate (PMMA) clear cover
Multi-channel capability	316 Stainless Steel Rollers
Working Temperature	5 - 45°C or 41 - 113°F (T _A = +20°C or 68°F)
Tube	Verderprene, Silicone, Viton® and Tygon®
Tube Sizes	3.2 x 2.4mm, 4.8 x 2.4mm, 6.4 x 2.4mm and 8.0 x 2.4mm
Weight	1.8kg

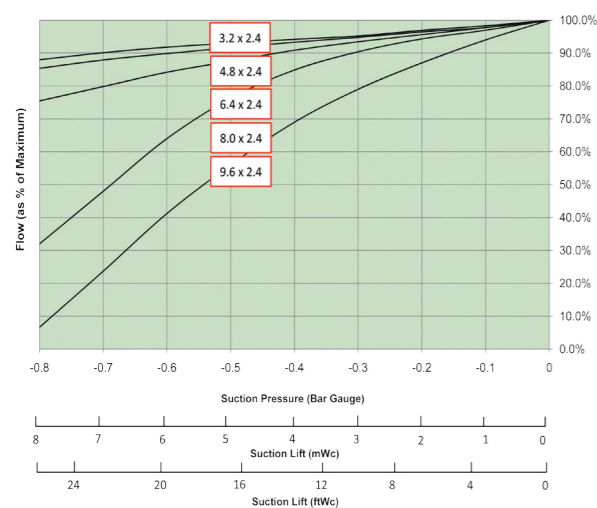
Tube Size Options

Tube (ID x WT)	60 RPM	120 RPM	180 RPM	240 RPM
3.2 x 2.4 mm (1/8" x 3/32")	0.1 l/min 7.2 l/hr 1.9 GPH	0.2 14.4 3.8	0.4 21.6 5.7	0.5 28.8 7.6
4.8 x 2.4 mm (3/16" x 3/32")	0.2 l/min 13.3 l/hr 3.5 GPH	0.5 26.8 7.1	0.7 41.6 11	0.9 56.7 15.0
6.4 x 2.4 mm (1/4" x 3/32")	0.4 l/min 21.9 l/hr 5.5 GPH	0.8 46.1 12.2	1.2 72.2 19.1	1.6 97.3 25.7
8.0 x 2.4 mm (5/16" x 3/32")	0.5 l/min 28.8 l/hr 7.6 GPH	1.0 62.1 16.4	1.6 97.9 25.8	2.2 132.9 35.1
9.6 x 2.4 mm (3/8" x 3/32")	0.6 l/min 37.3 l/hr 9.9 GPH	1.4 82.6 21.8	2.2 132.6 35.1	3.2 189 50

General Arrangement Drawing and Mounting Positions



Suction



Flow rates with water at 20 °C (68 °F)

Discharge

