

Verderflex

VP2-R 230 tube pump with flow rate control

VERDERFLEX®



Description

Peristaltic pump with manual flow rate regulation.
Flow rating 0÷100% adjustable using a trimmer.
Can work independently with a signal 20/260 VAC.

Materials

Pump body	PP reinforced with 30 % fiberglass
Max pressure	1 bar (Santoprene tubing) 3 bar (Silicon tubing: rinse applications)
Roller	Delrin
Tube	Santoprene
Power supply	230 vac, 50-60hz
Connections	PP
Fittings	PP 4 x 6
Optional	Silicon Tubing for rinse application

Standard supplied with a SCHUKO plug

Detergent installation kit	detergent	rinse aid
Suction tube	PVC 4 x 6	PVC 4 x 6
Delivery tube	PVC 4 x 6	PE 4 x 6
Injection valve	PP 90°	Steel 1/8"
Foot filter	Steel rubber holder	Steel rubber holder

Technical data

Standard	Flow max l/h	Pressure bar	Max opera- ting temp °C	Max cc/min	Tube material	tube int x ext mm	Body pump	Power c Watt	rpm	Weight kg
1.5 - 01	1.5	1		25	Santoprene	5.8 x 9.4	PP	35	10	0,5
04 - 01	4	1		66.67	Santoprene	5.8 x 9.4	PP	35	40	0,5
06 - 01	6	1		100	Santoprene	5.8 x 9.4	PP	35	40	0,5
01 - 03	1	3		16.67	Silicon	5 x 10	PP	35	20	0,5

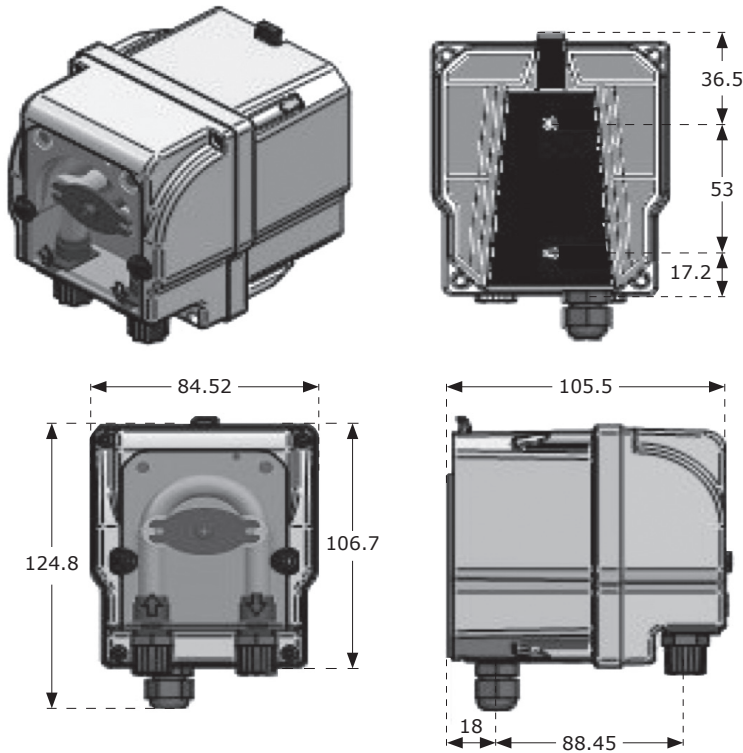
Verderflex

VP2-R 230 tube pump with flow rate control

VERDERFLEX®

Dimensions

(in mm)



Standard accessories kit

1/2" PP-VL-VT Lip	Foot Filter PP-VL-VT	Suction tube 2 m PVC 4x6	Delivery tube 2 m PE 4x6
			

flex_VP2-R_230_2015_rev1_UK-(uk)



Find your local supplier
at www.verderflex.com

For construction, installation and mounting drawings
please contact your local authorised Verderdos distributor.

VERDER
passion for pumps