

Verderdos

VE3-MF Multi-function solenoid metering pump



VERDERDOS

Description

Electromagnetic digital dosing and metering pump through water meter and with several function modes. Available as wall mounted pump.

Features

- ↪ Constant mode %
- ↪ Division impulse 1/n, 1xn (+memory)
- ↪ proportional to a 0/4-20 mA signal (programmable for the complete mA scale)
- ↪ PPM
- ↪ Overdose alarm, set by software
- ↪ Starting time delay setting
- ↪ LED programming and display
- ↪ PP body reinforced with fiber glass for better chemical resistance
- ↪ IP 65 protection
- ↪ Instant flow rate % visualization
- ↪ On/off switch
- ↪ Supplied with SCHUKO plug

Optional

- ↪ Level probe input

Materials

| Material selection Pump head | Standard | Optional |
|------------------------------|-----------------------|-----------------------|
| Standard flow model | PVDF | PP |
| High flow model | PVDF | - |
| High pressure model | PVDF | - |
| Material | | |
| Balls | Pyrex | Ceramic, PTFE, SS 316 |
| Diaphragm | PTFE | - |
| Fittings | PVDF 1/2" | PP 1/2" |
| Seals | FPM | EPDM |
| Valve cartridges | PVDF 4 x 6 | PP 4 x 6 |
| Foot filter | PVDF 4 x 6 ball valve | PP 4 x 6 lip valve |
| Injection valve | PVDF 4 x 6 ball valve | PP 4 x 6 ball valve |
| Suction tube | PVC 4 x 6 | PVDF |
| Delivery tube | PE 4 x 6 | PVDF |

| | PTFE BALLS | SS 316 BALLS | PYREX BALLS | CERAMIC BALLS |
|------------------------|---|--|--|--|
| Material | PTFE | SS 316 | DURAN – PYREX | AL ² O ³ |
| Hardness | 60 (D) | 1407160 HB | ± 45 HRC | ± 45 HRC |
| Specific weight | 2.10 g/cm ³ | 8.02 g/cm ³ | 2.23 g/cm ³ | 3.90 g/cm ³ |
| Description | Resistant to most of oxidizing chemicals, inorganic salt solutions, hydrocarbons. Non-conductive. | Spheres with resistance to corrosion caused by chemical solutions oxidants, organic chemicals, sterile solutions, mineral water and sea water, ammonia, salt air, etc. | Spheres with excellent chemical inertness to most acids. Excellent for use in metering pumps and valves in contact with strong oxidizing concentrations. | Resistant to most corrosive agents. Not recommended for use with hydrochloric acid and hydrofluoric acid solutions. Maximum abrasion resistance. |

Verderdos

VE3-MF Multi-function solenoid metering pump

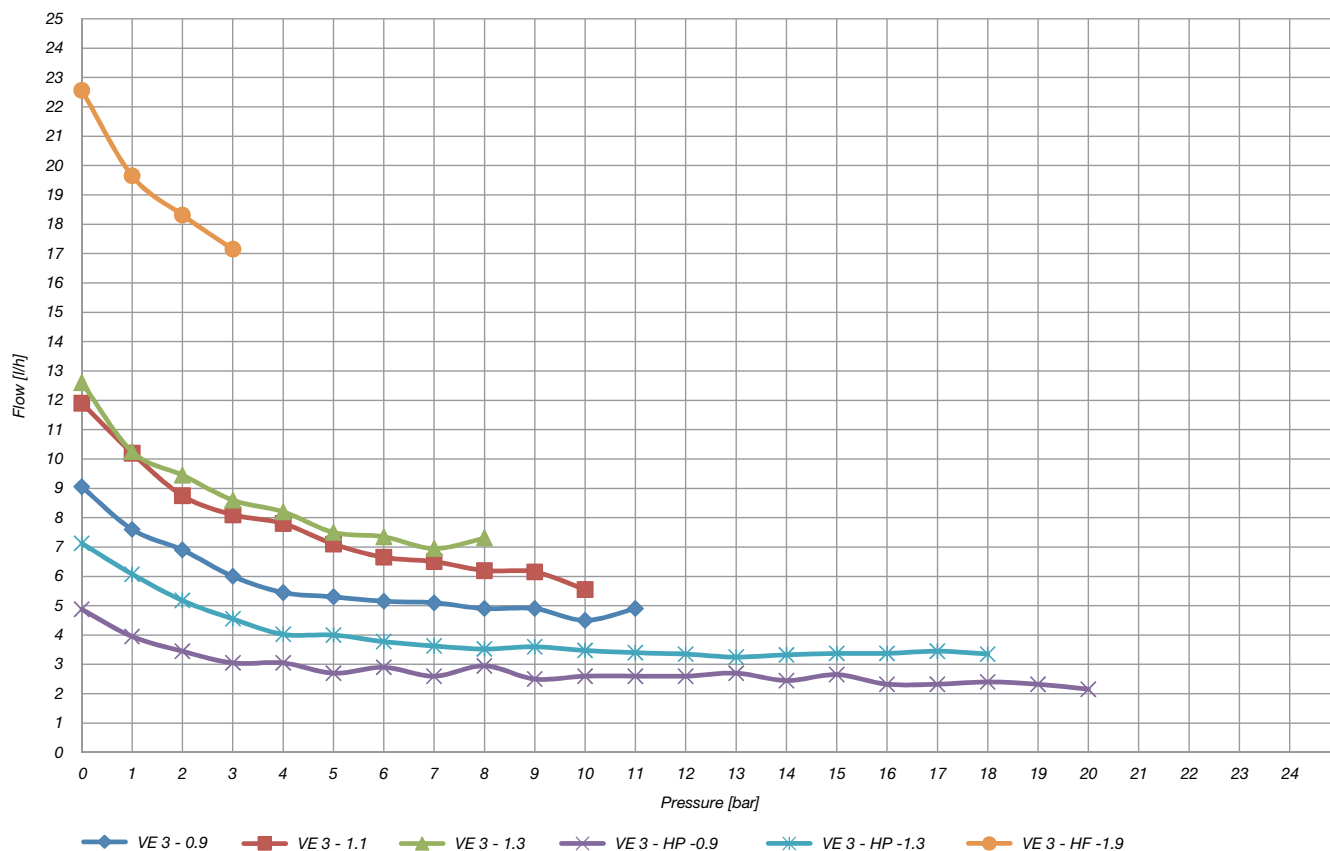


VERDERDOS

Technical data

| | Flow max l/h | Pressure bar | Max cc | Max operating temp °C | Stroke mm | Solenoid ø mm | Pump head material | Power c Watt | Pulses ppm | Weight kg |
|----------------------------|--------------|--------------|--------|-----------------------|-----------|---------------|--------------------|--------------|------------|-----------|
| Standard flow model | | | | | | | | | | |
| 10-02 | 10 | 2 | 1.11 | 65 | 1.3 | 80 | PVDF | 60 | 150 | 3.5 |
| 05-10 | 5 | 10 | 0.55 | 65 | 1.1 | 80 | PVDF | 60 | 150 | 3.5 |
| 04-12 | 4 | 12 | 0.44 | 65 | 0.9 | 80 | PVDF | 60 | 150 | 3.5 |
| High flow model | | | | | | | | | | |
| 24-01 | 24 | 1 | 3.34 | 65 | 1.9 | 90 | PVDF | 60 | 150 | 4 |
| 22-02 | 22 | 2 | 2.89 | 65 | 1.9 | 90 | PVDF | 60 | 150 | 4 |
| High pressure model | | | | | | | | | | |
| 03-15 | 3 | 15 | 0.33 | 65 | 1.3 | 80 | PVDF | 60 | 150 | 3.5 |
| 02-18 | 2 | 18 | 0.22 | 65 | 0.9 | 80 | PVDF | 60 | 150 | 3.5 |

Performance curve



Verderdos

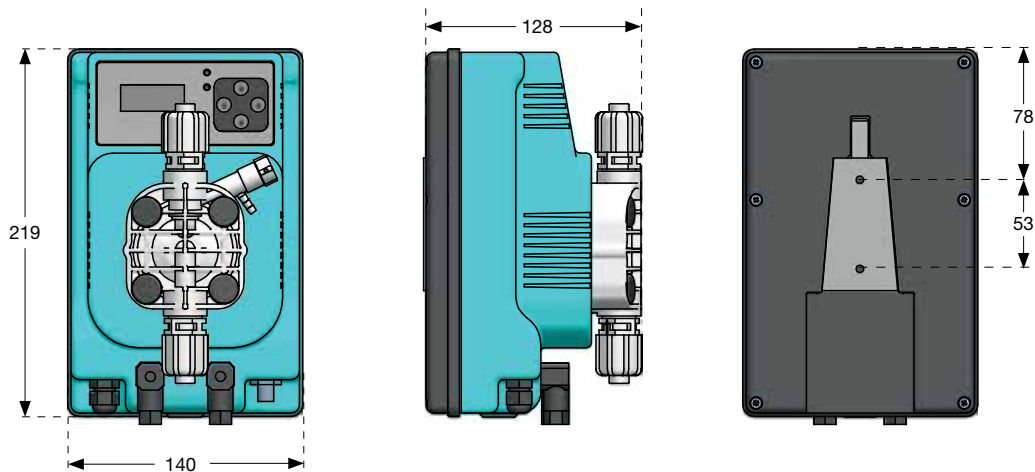
VE3-MF Multi-function solenoid metering pump



VERDERDOS

Dimensions

(in mm)



Standard installation kit

| Injection valve | PVDF foot filter with ball valve | Delivery tube 2 m PE 4x6 | Suction tube 2 m PVC 4x6 | Bleed tube 1.5 m PVC 4x6 |
|---|---|---|--|---|
|  |  |  |  |  |

Accessories

- Probes (ph/Redox/Chlorine Cells)
- Probe holders
- Suction lances
- Mixers
- Tanks & bunds
- Water Meters

Find your local supplier at www.verderdos.com

For construction, installation and floor mounting drawings please contact your local authorised Verderdos distributor.

VERDER
passion for pumps

