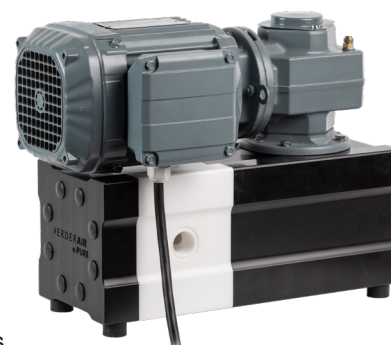


VERDERAIR E-PURE

VA-EP50

The Verderair e-PURE electrically driven double diaphragm pump uses a new kind of technology for diaphragm pumps. This pump series works according to a horizontal fluid flow path, which gives a more energy efficient and less friction loss fluid path. A direct result is reduced maintenance, lower energy costs and a longer life time. The pump housing is manufactured from solid machined PTFE or PE (UHMW). The other wetted parts are made from PEEK and SS 316L or Hastelloy C or Duplex SS.



Your benefits

- Low energy consumption
- Plug & play
- Leak free design
- Self priming & dry running
- Can handle abrasive liquids
- Low pulsation
- Less maintenance - longer life time

Technical data	Drive options	Center	
Max. flow rate (l/min)			50
Nominal port size (in)			3/4"
Weight (kg)	O1/P1/L1	PE1000	33
		PTFE	36
	O3	PE1000	28
		PTFE	31
	F3/L3	PE1000	31
		PTFE	34
	IG/NG	PE1000	19
		PTFE	22
	X1	PE Conductive	25
Suctionlift (mwc)	X3	PE Conductive	35
		dry	2,2
		wet	9
Max. operating pressure (bar)			5
Max. operating fluid temperature (°C)	PE1000		70
	PTFE		95
	PE Conductive		60
Min. operating fluid temperature (°C)	PE1000		-15
	PTFE		-15
	PE Conductive		-15
Ambient air temperature range for operation and storage (°C)			-15 - 40
Electric motor	O1		133/230V AC 3-Phase 50 Hz
	O3		230/400V AC 50Hz, 265/460V AC 60Hz
	F3		230/400V AC 50Hz, 265/460V AC 60Hz
	X3		220-242/380-420V AC 50Hz
			1-Phase 200-240V (+10%,-15%) AC 50/60 Hz 11A
Control box (with VFD)	O1		3ph 380-20%...480+10% VAC 47-63Hz
Installed motor power (kW)	O1		0.55
	O3		0.55
	F3		0.55
	X3		0.55
			0.75
Installed inverter (VFD) power (kW)	O1		0.75
	F3		1,1
Maximum pump speed (RPM)	+/- 2%		365
Rated pump speed for 50Hz (RPM)	+/- 2%		185
Drive power (kW) VFD 87Hz technology	O1		0.75
	F3		0,95
Max. particle size of solids (mm)			2
IP ratings	O1		IP22
	O3		IP55
	F3		IP55
	X3		IP55
Max. recommended viscosity (mPas)			2000
Theoretical displacement volume (single stroke) (in liters)			0,18
Max noise level (dBa)			74,1

VERDERAIR E-PURE

VA-EP50



Pumpcoding VA-EP				
Pump size	Housing and center Section		Shafts & diaphragm plate	Valve
	Housing	Drive section	-	
30: 3/4"	T: PTFE	B: POM -C	SS Stainless steel 316L	FP: Flapper PEEK
50: 3/4"	E: PE	A: Aluminum + PE-C	DS Duplex SS	
100: 1 1/4"	G: PE-Conductive		HS Hastelloy C	
Diaphragm	Connections	Options		
TO: PTFE Overmolded (non-conductive)	TN: Threated NPT TB: Threated BSPP FD-P: Flanged DIN in PVC FD-S: Flanged DIN in SS304 FD: Full steel flange DIN in SS316	O3 - Standard AC drive 230/400V F3 - O3 drive with frequency inverter 3ph (VFD) L3: F3 + leak detection automatic shutdown of the pump O1: Drive with frequency inverter 1ph (VDF) P1: O1 + potentiometer outside control box L1: O1 + leak detection automatic shutdown of the pump IG: Gearbox i=7.5 with flange IEC 90 – B14 C140 NG: Gearbox i=7,5 with flange NEMA 140TC X3: ATEX AC drive 230/400V 50Hz XI: Gearbox ATEX i=7.5 flange IEC80		OO: Standard, right suction port SS: Stroke sensor LS: Leak detection, sensor only LP: Left suction port DM: Draining manual LX: Leak detection, ATEX sensor
Example: VA-EP50EB SS FP TO TN OOSS				

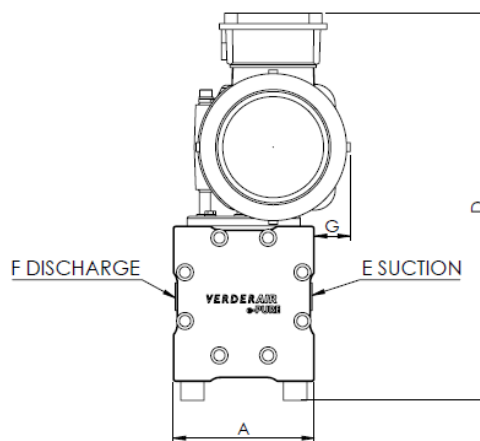
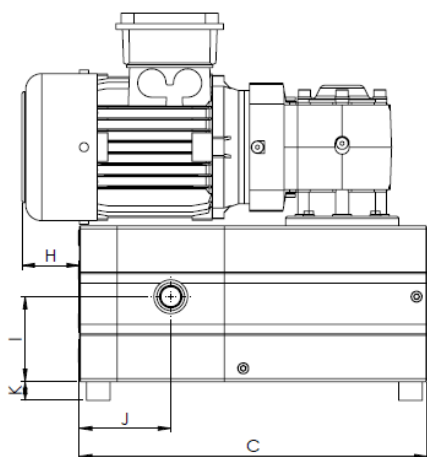
VERDERAIR E-PURE

VA-EP50



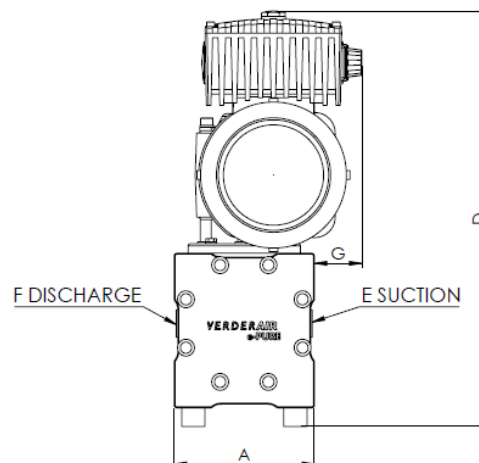
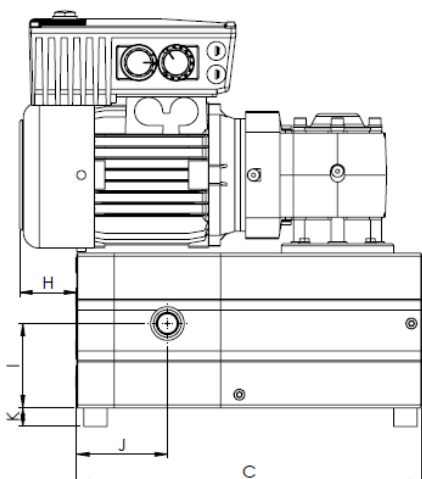
PUMP DIMENSIONS WITH DRIVE (OPTION O3)

Measurements	A	B	C	D	E	F	G	H	I	J	K
mm	150	185	369	410,5	¾"	¾"	38,12	60,98	90	97	20



PUMP WITH DRIVE AND FREQUENCY REGULATOR (DRIVES OPTION F3)

Measurements	A	B	C	D	E	F	G	H	I	J	K
mm	150	185	369	442,5	¾"	¾"	50,65	60,98	90	97	20

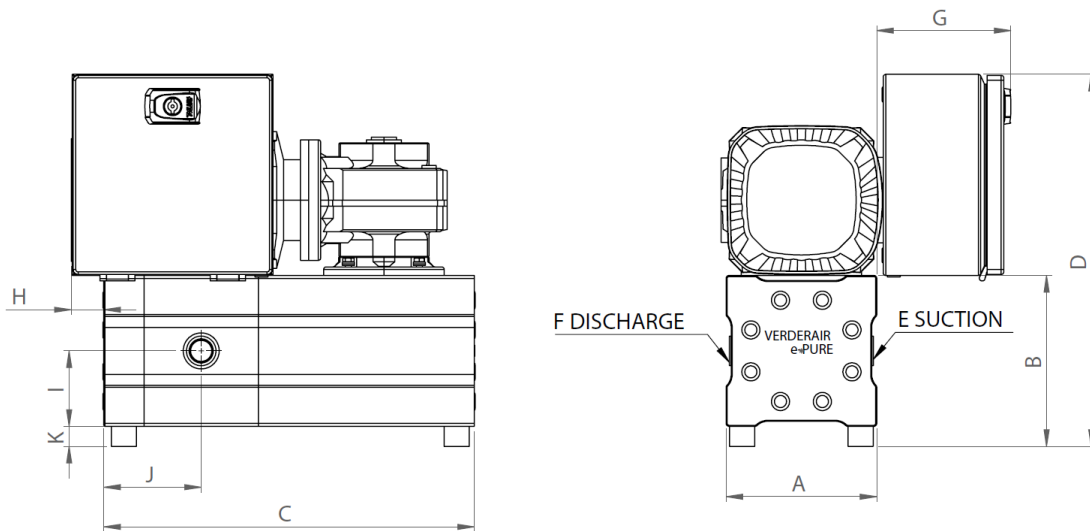


VERDERAIR E-PURE

VA-EP50



PUMP WITH DRIVE AND FREQUENCY REGULATOR (OPTION O1, P1, L1)



PUMP + BOX ASSEMBLY DIMENSIONS

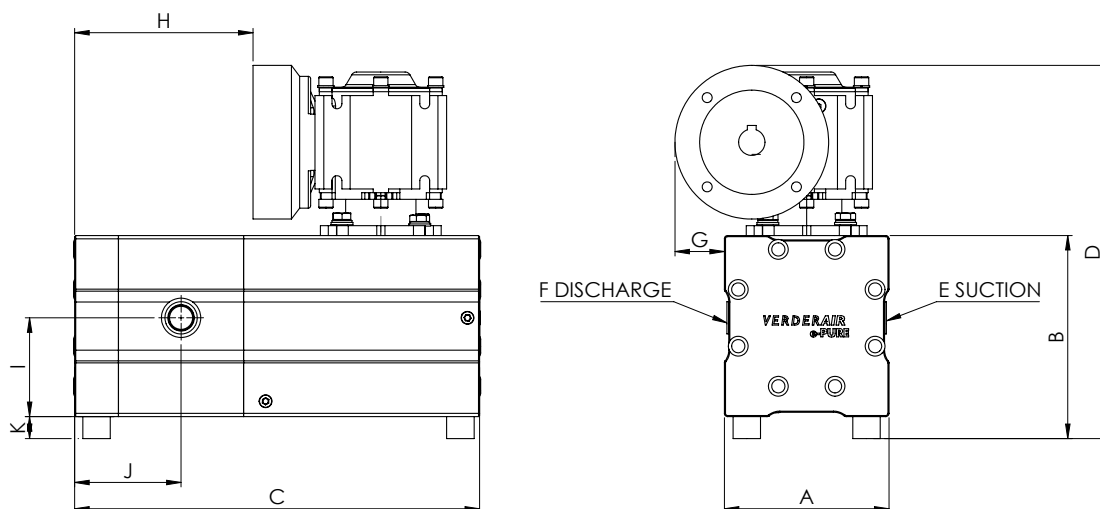
Measurements	A	B	C	D	E	F	G	H	I	J	K
mm	150	185	369	385	¾"	¾"	133,70	32,50	90	97	20

VERDERAIR E-PURE

VA-EP50



PUMP WITH REDUCER WITH FLANGE (DRIVES OPTION IG)



PUMP + BOX ASSEMBLY DIMENSIONS

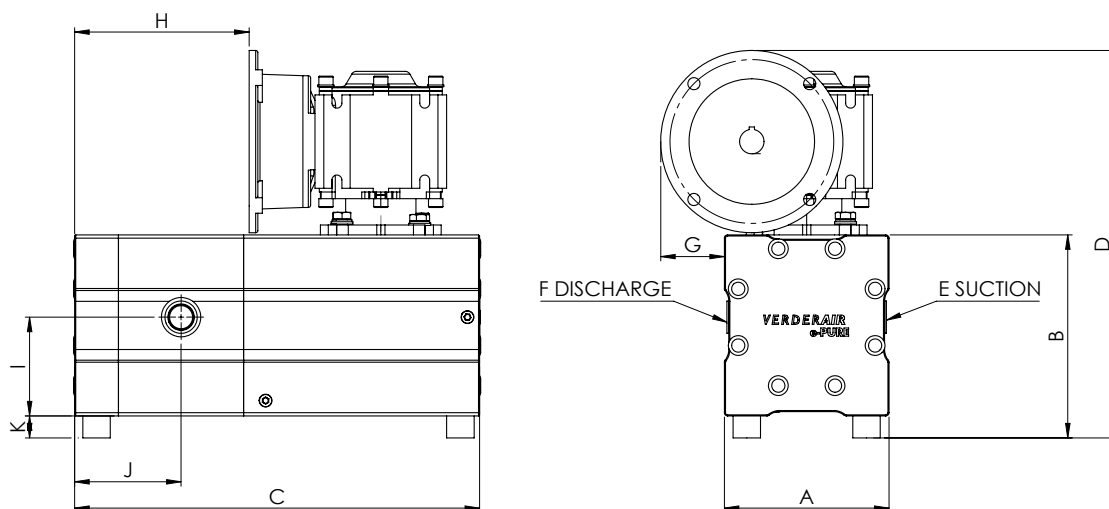
Measurements	A	B	C	D	E	F	G	H	I	J	K
mm	150	185	369	340	3/4"	3/4"	45	162,5	90	97	20

VERDERAIR E-PURE

VA-EP50



PUMP WITH REDUCER WITH FLANGE (DRIVES OPTION NG)



PUMP + BOX ASSEMBLY DIMENSIONS

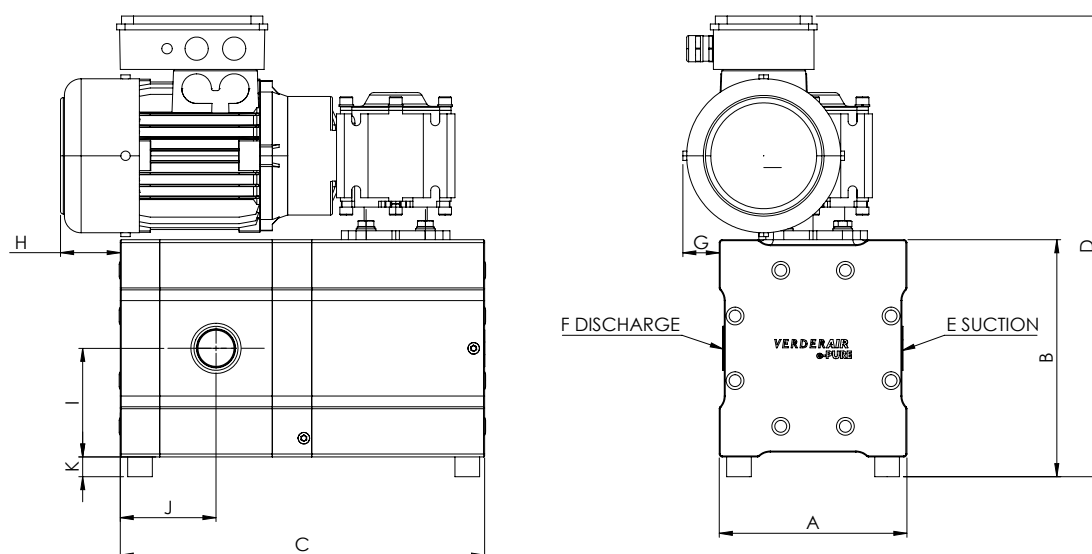
Measurements	A	B	C	D	E	F	G	H	I	J	K
mm	150	185	369	353	3/4"	3/4"	58	159	90	97	20

VERDERAIR E-PURE

VA-EP50



PUMP DIMENSIONS WITH DRIVE (DRIVES OPTION X3)



PUMP ASSEMBLY DIMENSIONS

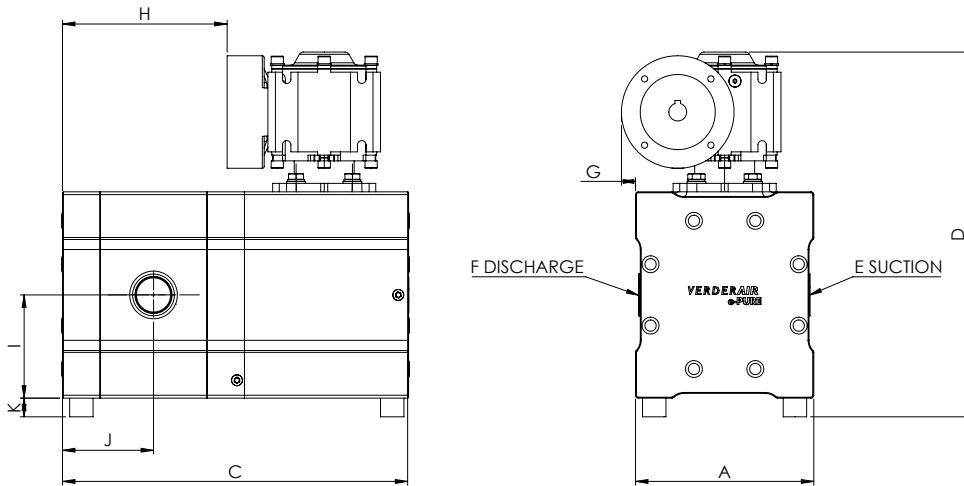
Measurements	A	B	C	D	E	F	G	H	I	J	K
mm	150	185	369	410	¾"	¾"	56,9	60,5	90	97	20

VERDERAIR E-PURE

VA-EP50



PUMP WITH REDUCER WITH FLANGE (DRIVES OPTION XI)

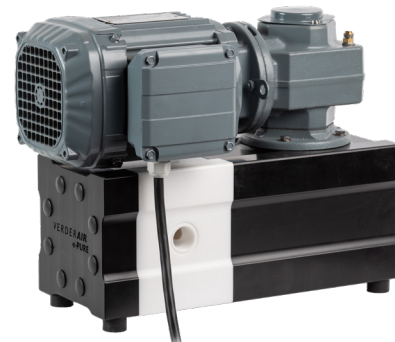


PUMP + BOX ASSEMBLY DIMENSIONS

Measurements	A	B	C	D	E	F	G	H	I	J	K
mm	150	185	369	334	¾"	¾"	25	175.5	90	97	20

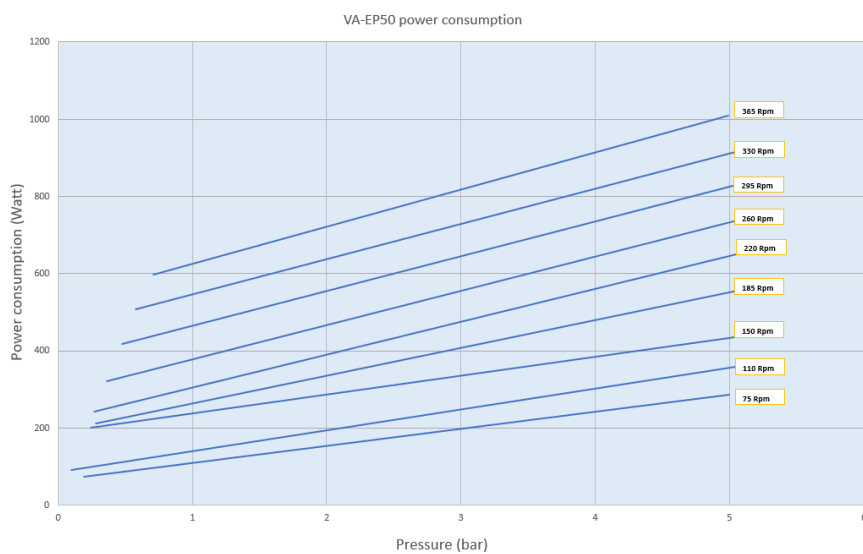
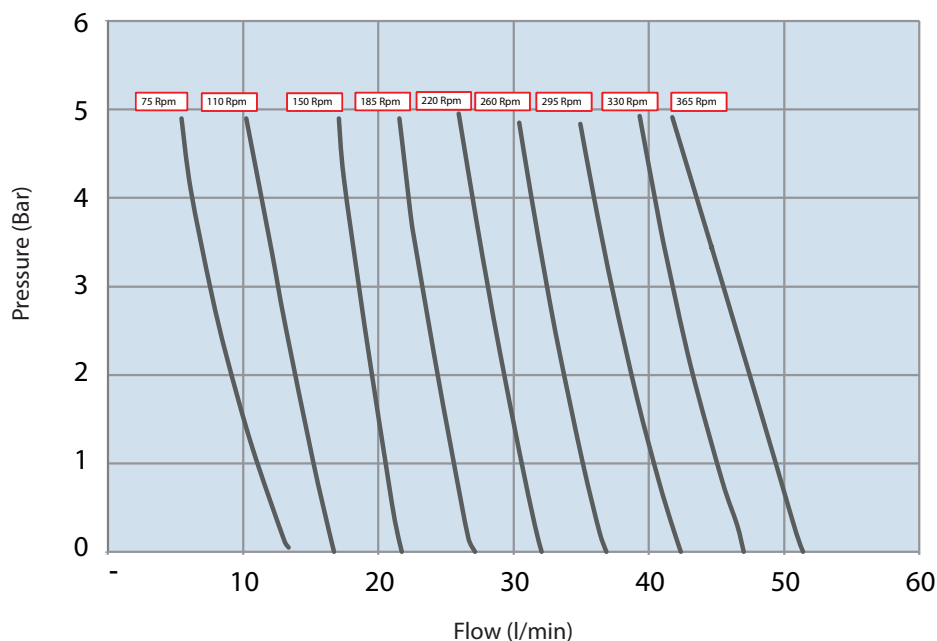
VERDERAIR E-PURE

VA-EP50

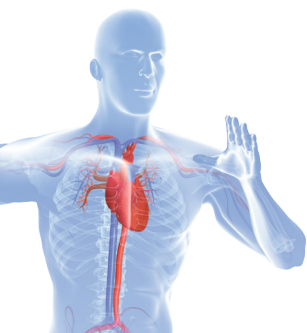


Performance charts

VA-EP50



Datasheet Verderair VA-EP50-v1



Find your local supplier at www.verderliquids.com

For construction, installation and floor mounting drawings please contact your local authorised Verderair® distributor.