

POS.	PART NUMBER	PART NAME	QUANTITY
1	6591293	CENTER HOUSING	1
2	6591294	SIDE HOUSING RIGHT	1
3	6591295	SIDE HOUSING LEFT	1
6	6595377	SHOCK ABSORBER C20/C50/C130	4
7	6595611	MUFFLER C50/C130	1
9	6591297	VALVE PLUG	2
10	6595615	CYLINDER VALVE PE	4
11	6590447	VALVE BALL EPDM	4
11	6590448	VALVE BALL PTFE	4
11	6590449	VALVE BALL SS	4
12	6595616	VALVE SEAT	2
14	6591300	O-RING ENCAP. PLUG SET	1
14	6591301	O-RING EPDM PLUG SET	1
17	6590467	DIAPHRAGM EPDM	2
17	6590468	DIAPHRAGM PTFE	2
18	6590470	DIAPHRAGM SHAFT SCREW	2
19	6590471	DIAPHRAGM SHAFT	1
20	6590485	SHAFT BEARING SET	1
22	6590474	O-RING ENCAP. HOUSING SET	1
22	6590491	O-RING EPDM HOUSING SET	1
23	6595609	ASSEMBLY PIN SET	6
27	6590400	AIR VALVE	1

A

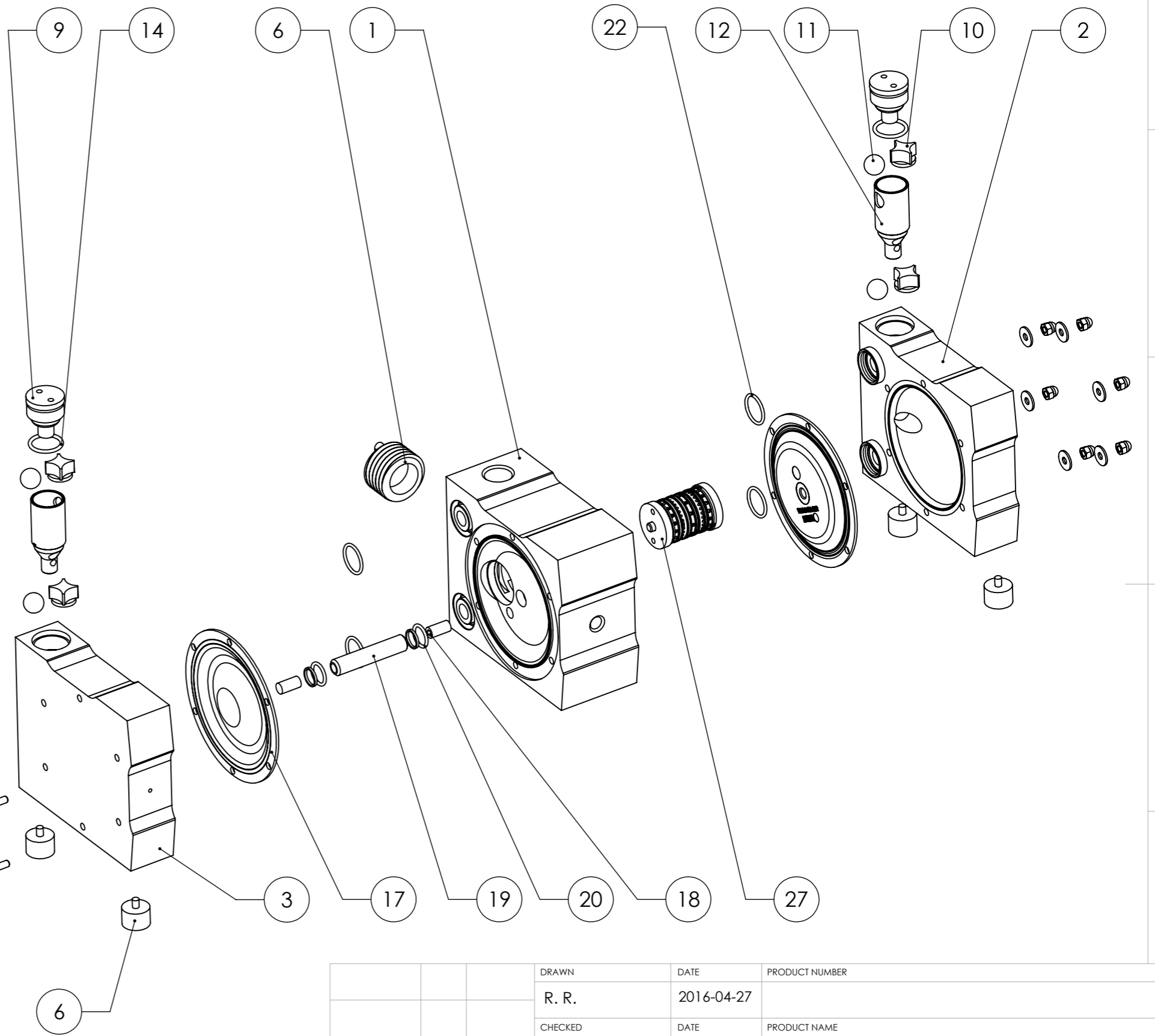
B

C

D

E

F



A

B

C

D

E

F

COPYRIGHT OF THIS DRAWING IS OWNED BY "VERDER NV"
 COPY OR DISTRIBUTION TO THIRD PARTY IS NOT PERMITTED WITHOUT WRITTEN CONFIRMATION

REMOVE ALL BURRS AND SHARP EDGES
 ALL DIMENSIONS ARE IN MM
 CAD GENERATED DRAWING, MANUAL CHANGES NOT PERMITTED

0	±0,20
0,0	±0,10
0,00	±0,05
0,000	±0,02

TOLERANCING

CHANGE NO.

DATE

DRAWN	DATE	PRODUCT NUMBER
R. R.	2016-04-27	
CHECKED	DATE	PRODUCT NAME
R. R.	2016-04-27	VA-C50
MATERIAL		
WEIGHT	SCALE	REVISION
	1:4	03
SIZE	SHEET	STANDARD SPECIFICATION
A3	1 / 2	

VERDERAIR®
PURE

PASSION FOR PUMPS
 www.verderair.com

100 mm A3 1:1