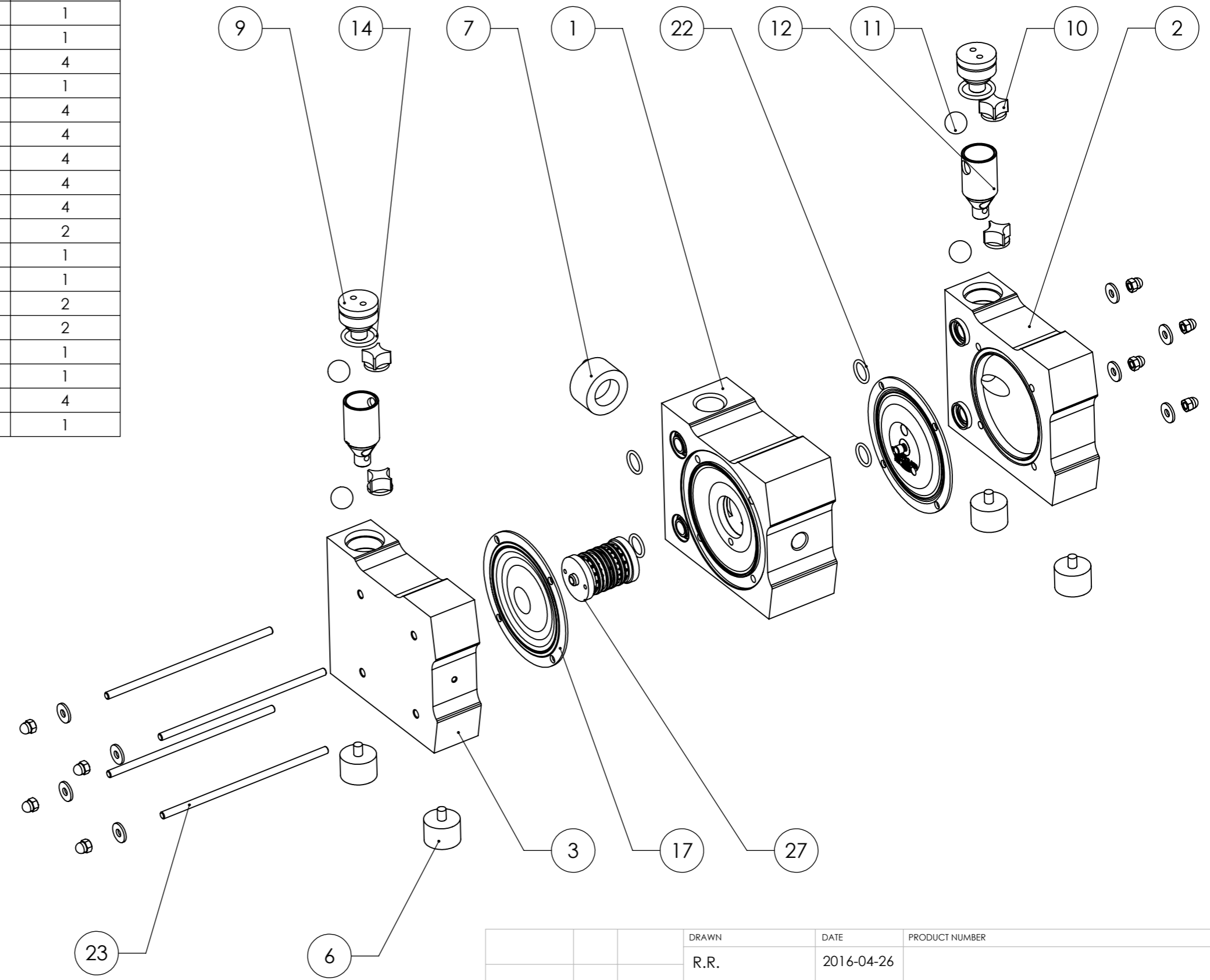


POS.	PART NUMBER	PART NAME	QUANTITY
1	6591255	CENTER HOUSING PE-C	1
2	6591257	SIDE HOUSING RIGHT PE-C	1
3	6591256	SIDE HOUSING LEFT PE-C	1
6	6595377	SHOCK ABSORBER C20/C50/C130	4
7	6595596	MUFFLER C10/C20	1
9	6591252	VALVE PLUG PE-C	4
10	6595600	CYLINDER VALVE PE	4
11	6590322	VALVE BALL EPDM	4
11	6590323	VALVE BALL PTFE	4
11	6590324	VALVE BALL SS	4
12	6595601	VALVE SEAT PE-C	2
14	6591264	O-RING ENCAP. PLUG SET	1
14	6591265	O-RING EPDM PLUG SET	1
17	6590346	DIAPHRAGM EPDM	2
17	6590347	DIAPHRAGM PTFE	2
22	6590348	O-RING HOUSING ENCAP. SET	1
22	6590365	O-RING HOUSING EPDM SET	1
23	6595593	ASSEMBLY PIN SET	4
27	6590257	AIR VALVE	1



COPYRIGHT OF THIS DRAWING IS OWNED BY "VERDER NV"
 COPY OR DISTRIBUTION TO THIRD PARTY IS NOT PERMITTED WITHOUT WRITTEN CONFIRMATION

REMOVE ALL BURRS AND SHARP EDGES
 ALL DIMENSIONS ARE IN MM
 CAD GENERATED DRAWING, MANUAL CHANGES NOT PERMITTED

0	±0,20
0,0	±0,10
0,00	±0,05
0,000	±0,02

TOLERANCING

DRAWN	DATE	PRODUCT NUMBER
R.R.	2016-04-26	
CHECKED	DATE	PRODUCT NAME
R.R.	2016-04-26	VA-C20
MATERIAL		
WEIGHT	SCALE	REVISION
	1:3	02
SIZE	SHEET	STANDARD SPECIFICATION
A3	1 / 3	

