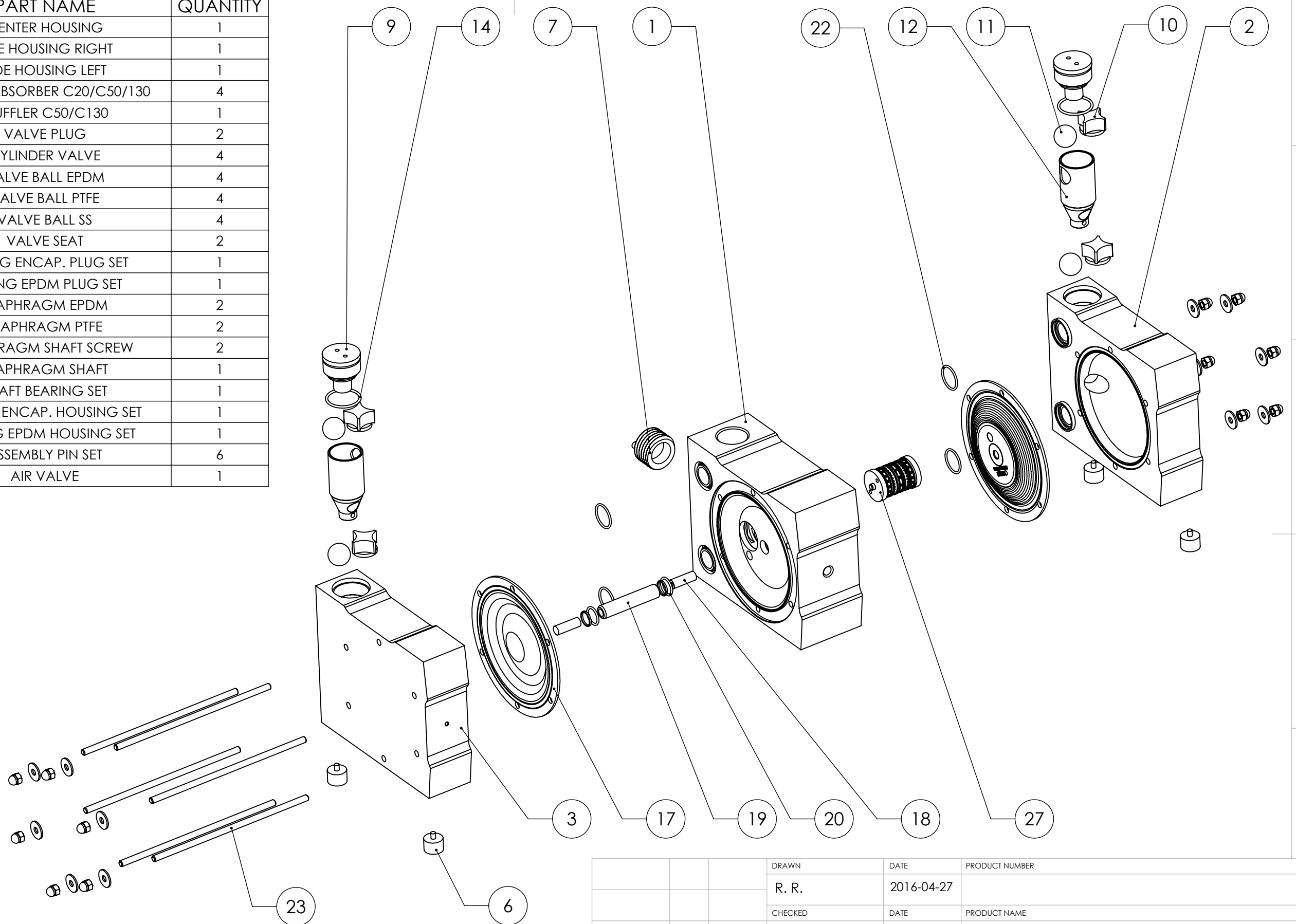


POS.	PART NUMBER	PART NAME	QUANTITY
1	6591306	CENTER HOUSING	1
2	6591307	SIDE HOUSING RIGHT	1
3	6591308	SIDE HOUSING LEFT	1
6	6595377	SHOCK ABSORBER C20/C50/130	4
7	6595611	MUFFLER C50/C130	1
9	6591309	VALVE PLUG	2
10	6595623	CYLINDER VALVE	4
11	6590542	VALVE BALL EPDM	4
11	6590543	VALVE BALL PTFE	4
11	6590544	VALVE BALL SS	4
12	6595624	VALVE SEAT	2
14	6591312	O-RING ENCAP. PLUG SET	1
14	6591313	O-RING EPDM PLUG SET	1
17	6590562	DIAPHRAGM EPDM	2
17	6590563	DIAPHRAGM PTFE	2
18	6590565	DIAPHRAGM SHAFT SCREW	2
19	6590566	DIAPHRAGM SHAFT	1
20	6590584	SHAFT BEARING SET	1
22	6590569	O-RING ENCAP. HOUSING SET	1
22	6590586	O-RING EPDM HOUSING SET	1
23	6595619	ASSEMBLY PIN SET	6
27	6590400	AIR VALVE	1



COPYRIGHT OF THIS DRAWING IS OWNED BY "VERDER NV"
 COPY OR DISTRIBUTION TO THIRD PARTY IS NOT PERMITTED WITHOUT WRITTEN CONFIRMATION

REMOVE ALL BURRS AND SHARP EDGES
 ALL DIMENSIONS ARE IN MM
 CAD GENERATED DRAWING, MANUAL CHANGES NOT PERMITTED

0	±0,20
0,0	±0,10
0,00	±0,05
0,000	±0,02

TOLERANCING

DRAWN	DATE	PRODUCT NUMBER
R. R.	2016-04-27	
CHECKED	DATE	PRODUCT NAME
R. R.	2016-04-27	VA-C130
MATERIAL		
WEIGHT	SCALE	REVISION
	1:5	03
SIZE	SHEET	STANDARD SPECIFICATION
A3	1 / 2	

