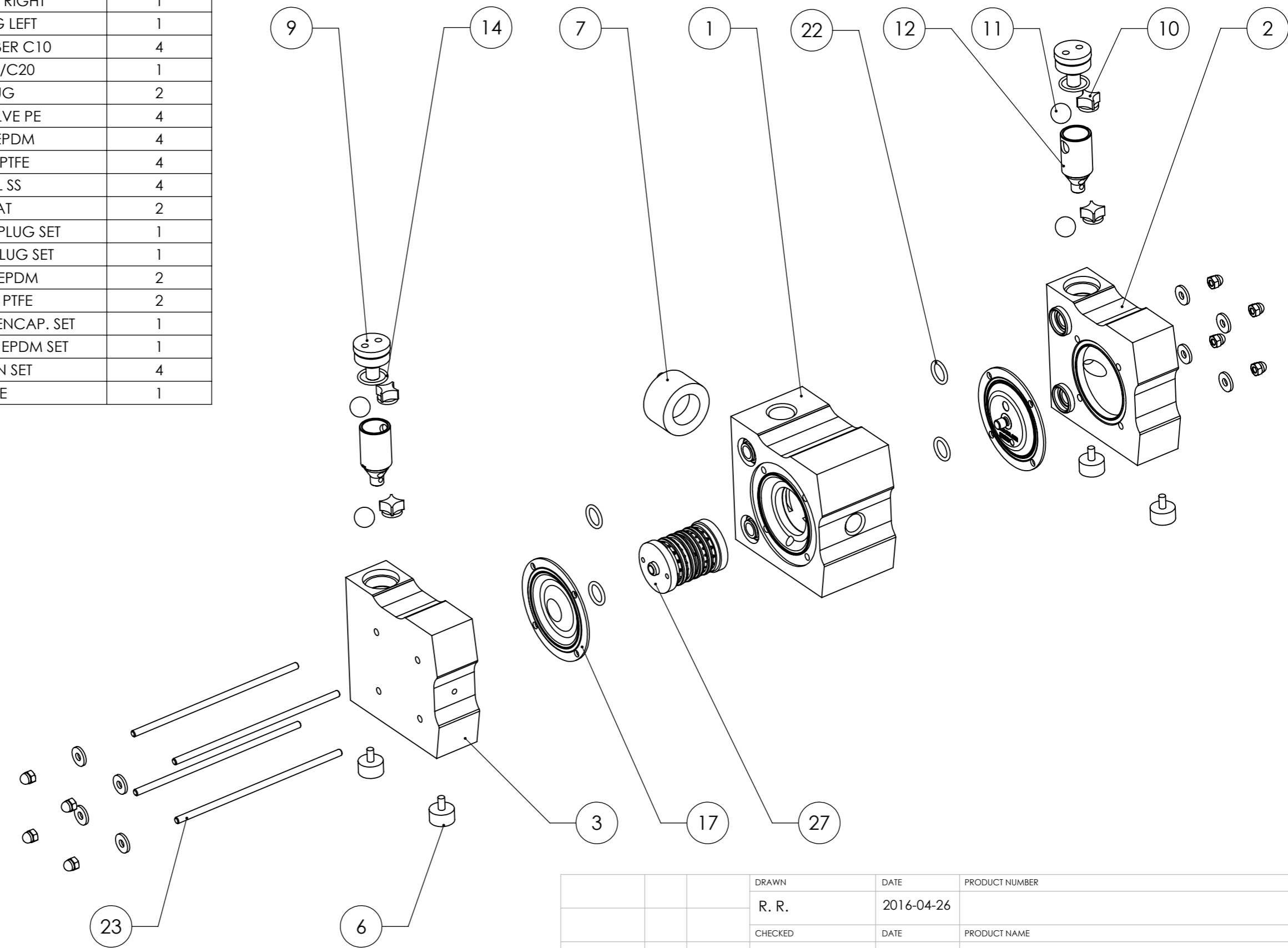


POS.	PART NUMBER	PART NAME	QUANTITY
1	6591281	CENTER HOUSING	1
2	6591282	SIDE HOUSING RIGHT	1
3	6591283	SIDE HOUSING LEFT	1
6	6595018	SHOCK ABSORBER C10	4
7	6595596	MUFFLER C10/C20	1
9	6591284	VALVE PLUG	2
10	6595589	CYLINDER VALVE PE	4
11	6590230	VALVE BALL EPDM	4
11	6590231	VALVE BALL PTFE	4
11	6590232	VALVE BALL SS	4
12	6595590	VALVE SEAT	2
14	6591287	O-RING ENCAP. PLUG SET	1
14	6591288	O-RING EPDM PLUG SET	1
17	6590254	DIAPHRAGM EPDM	2
17	6590255	DIAPHRAGM PTFE	2
22	6590256	O-RING HOUSING ENCAP. SET	1
22	6590265	O-RING HOUSING EPDM SET	1
23	6595585	ASSEMBLY PIN SET	4
27	6590257	AIR VALVE	1



COPYRIGHT OF THIS DRAWING IS OWNED BY "VERDER NV"
 COPY OR DISTRIBUTION TO THIRD PARTY IS NOT PERMITTED WITHOUT WRITTEN CONFIRMATION

REMOVE ALL BURRS AND SHARP EDGES
 ALL DIMENSIONS ARE IN MM
 CAD GENERATED DRAWING, MANUAL CHANGES NOT PERMITTED

0	±0,20
0,0	±0,10
0,00	±0,05
0,000	±0,02

TOLERANCING

DRAWN	DATE	PRODUCT NUMBER
R. R.	2016-04-26	
CHECKED	DATE	PRODUCT NAME
R. R.	2016-04-26	VA-C10
MATERIAL		
WEIGHT	SCALE	REVISION
	1:2.5	02
SIZE	SHEET	STANDARD SPECIFICATION
A3	1 / 2	
CHANGE NO.	DATE	



A
B
C
D
E
F

A
B
C
D
E
F