



### Description

The VA-EH25 is an electrical driven double diaphragm pump for food and cosmetic industrie. Having EC1935/2004 and FDA certification, this pump is the ideal problem solver in those industries. The VA-EH25 can run in “low pulsation mode” to reduce the generated pulsations in the flow or in “transfer mode” to generate a higher flow rate.

### Your benefits

- FDA and EC1935/2004 certified
- Energy efficient
- Smoother flow when operating in “low pulsation mode”
- Low noise level
- Can stall against close discharge
- Can run dry without damage
- Dry self priming

Technical data	Drive options	Fluid & air section		
	AC	SA	136	
		SS	166	
Weight [lb]	<b>Options</b>			
		Cart	33	
		Compressor	28	
Max. Suction lift (feet)		Dry	16	
		Wet	29	
Temperature (°F)	<b>Internals</b>			
		NW	40	200
		TO/TF	40	220
		SP	-40	180
	<b>Drive option</b>			
Electric Motor	AC	Power (HP)	2	
		Voltage (V)	3 x 230/460 - 60	
Max. Particle size (in)			1/8	
Air connection			3/8" NPT(f)	
Air consumption (scfh)			< 0.2	
Max. recommended viscosity (cP)			10.000	



**Code VA-EH25 No.1 No.2 No.3 No.4.No.5.No.6.No.7.**

**No.1 Fluid section**

S = Stainless Steel 316, 3,2 µm

**No.2 Center section**

A = Aluminium

S = Stainless Steel 316

**No.3 Check valve seats**

SE = SS seat with EPDM o-rings

ST = SS seat with PTFE o-rings

**No. 4 Check valve balls**

NW = Neoprene Weighted

SP = Santoprene

TF = PTFE

**No. 5 Diaphragms**

SP = Santoprene

TF = PTFE/EPDM 2 piece

TO = PTFE/EPDM overmolded

**No. 6 Connections**

D4 = DIN 11851, DN40, male

T4 = Tri-clamp (ASME BPE), 1 1/2"

**No. 7 Drive options**

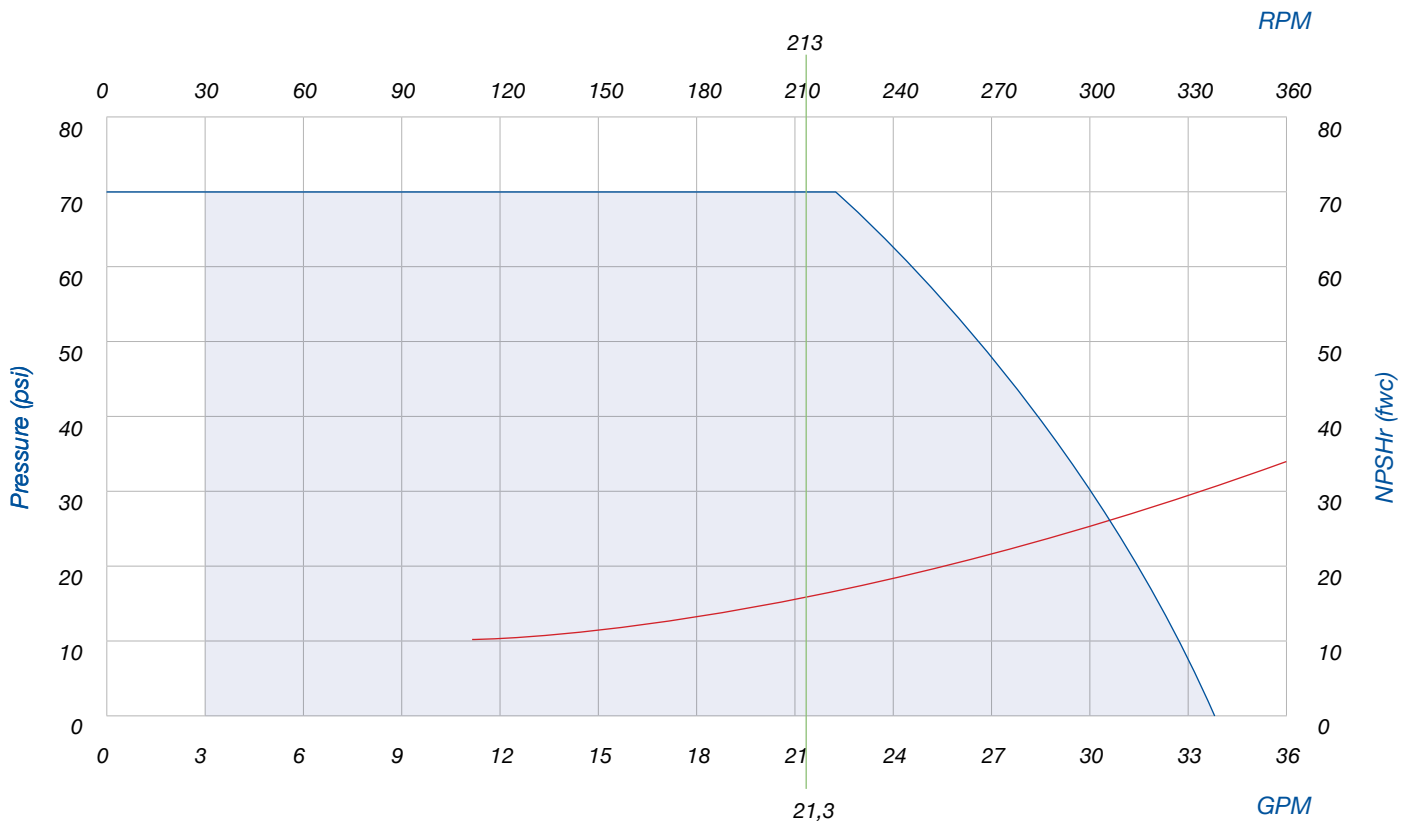
AC = 213 RPM, Gearbox with AC drive

EXAMPLE PUMP TYPE

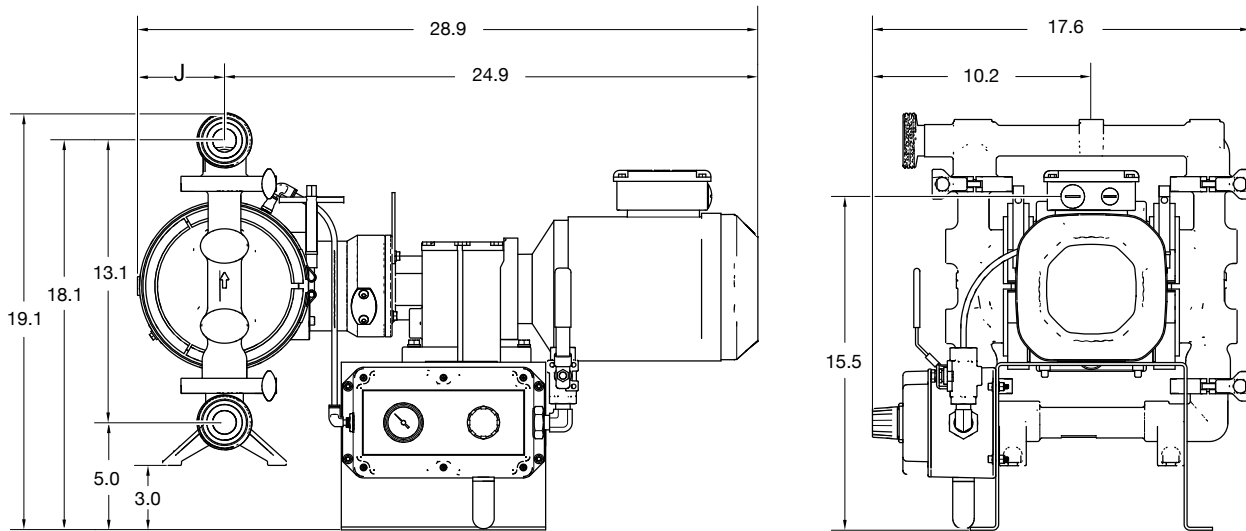
**VA-EH25 SS ST TF TO D4 AC**

NOTE not all combinations are available

**Performance curve**



### Dimensions (inch)



Find your local supplier at [www.verderair.com](http://www.verderair.com)

For construction, installation and floor mounting drawings please contact your local authorised Verderair® distributor.