

### Description

The VA-C20 of the CONT-EX series is a very compact, air operated double diaphragm pump (AODD) produced out of 1 piece solid Conductive UHMW Polyethylene. The VA-C20 is used as general purpose pump for medium duty applications and as OEM pump. The pump is abrasive resistant and can be used in Atex environments.

### Your benefits

- Improved sealing design without extra support rings
- Abrasion resistant
- Robust (machined out of 1 solid piece, not injection moulded)
- Compact design (need less installation space)
- Can run dry without damage
- Dry self priming

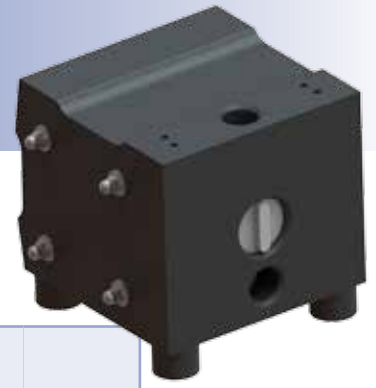
Technical data			
Nominal port size			1/2" NPT(f)
Air inlet connection			R 1/4"
Weight (lbs)			4,85
Max. operating pressure (PSI)			100
Max. Operating temperature (F)			158
Max. size pumpable solids (inch)	Code N° 2	EP, TF	0,08
		CV	0
Max. suction lift dry (ftWc)	Code N° 2	EP, TF	1,64
		CV	6,56
Max. suction lift wet (ftWc)		all	26,25
Max. recommended viscosity (mPas)			1.000

Code VA-C20 N°1 N°2 N°3		
<b>No.1 Housing and center section</b> ⚠ GG = Conductive Polyethylene UHMW	<b>No.2 Valves</b> EP = EPDM valve balls TF = PTFE Valve balls CV = PE Cylinder valves	<b>No.3 Diaphragms</b> EO = EPDM overmolded TO = PTFE/EPDM overmolded

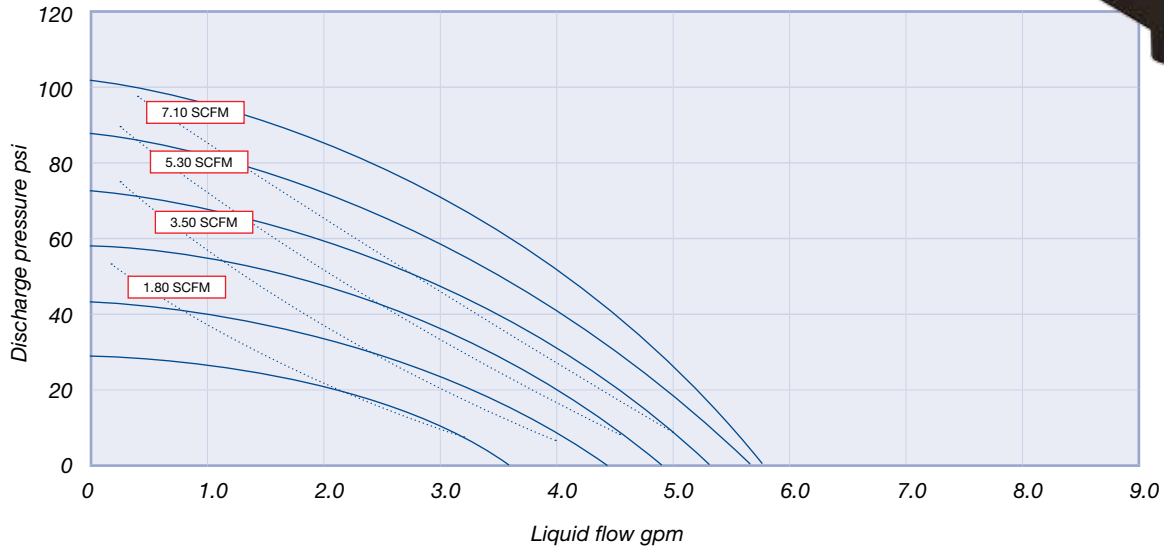
#### EXAMPLE PUMP TYPE

**VA-C20 GG CV TO**

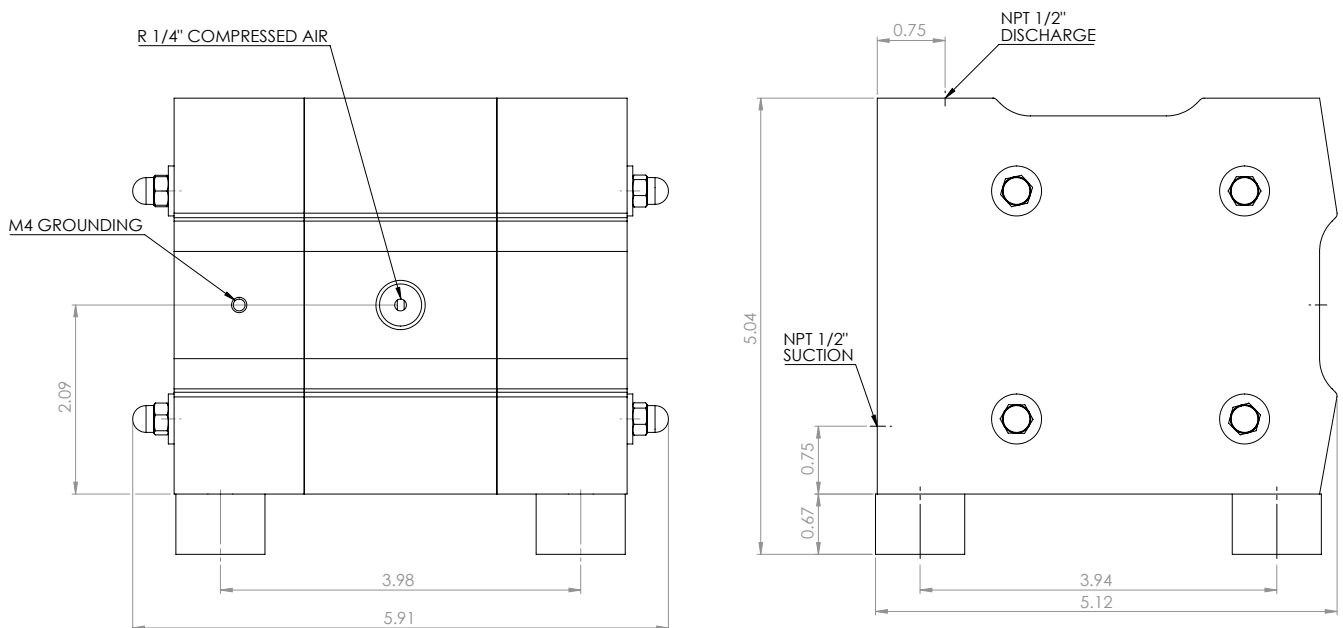
⚠ II 2 GD C T70°



### Performance curve



### Dimensions



All dimensions are in inches.  
All dimensions are for guidance only.

VA\_C20\_Technosheet\_rev01\_2016\_(us)



Find your local supplier  
at [www.verderair.com](http://www.verderair.com)

For construction, installation and floor mounting drawings  
please contact your local authorised Verderair® distributor.