

Verderair

VA 08 Non-metallic



VERDERAIR®

Description

The VA08 non-metallic double diaphragm pumps are excellent pumps for use in a wide range of applications across many industries. The check valves are spring operated (made out of Hastelloy). This makes it possible to mount the pumps in every position. The pumps are available in 3 different materials for the pump body and 2 different materials for the diaphragms. This makes it possible to select the best solution for your application.

Your benefits

- Easy to install, even up-side down
- Less downtime
- Self-priming
- Free of air lubrication
- Non-stalling air valve
- Can run-dry without damage

Technical data				
Weight [lb]	Fluid & air section	DP	2.5	
		PP	2.0	
		KP	2.8	
Max. suction lift [ft]		Dry	8	
		Wet	14	
Temperature [F]	Fluid section	Internals		
	D, P, K	All internals	32	180
Max. Particle size [inch]			0.06	
Max. recommended viscosity (mPas)			500	

Code VA08 No.1 No.2 No.3 No.4. No.5 No.6 No.7		
<p>No.1 Fluid section</p> <p>⚠ D = Acetal K = Kynar (PVDF) P = Polypropylene</p> <p>No.2 Air section</p> <p>P = Polypropylene</p> <p>No.3 Check valve seats</p> <p>-- = no removable seats</p>	<p>No. 4 Check Valves</p> <p>AC = Acetal KY = Kynar (PVDF) PP = Polypropylene</p> <p>No.5 Diaphragms</p> <p>SP = Santoprene TF = PTFE</p>	<p>No. 6 Connections</p> <p>TX = Threaded NPT/BSP</p> <p>No. 7 Options</p> <p>OO = Standard RE = Remote</p>

EXAMPLE PUMP TYPE
VA08PP -- PP TF TX OO

NOTE not all combinations are available

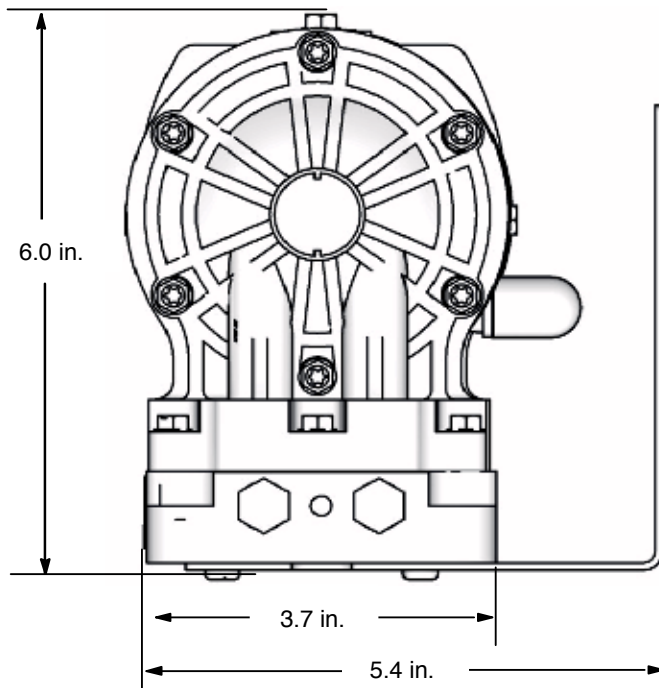
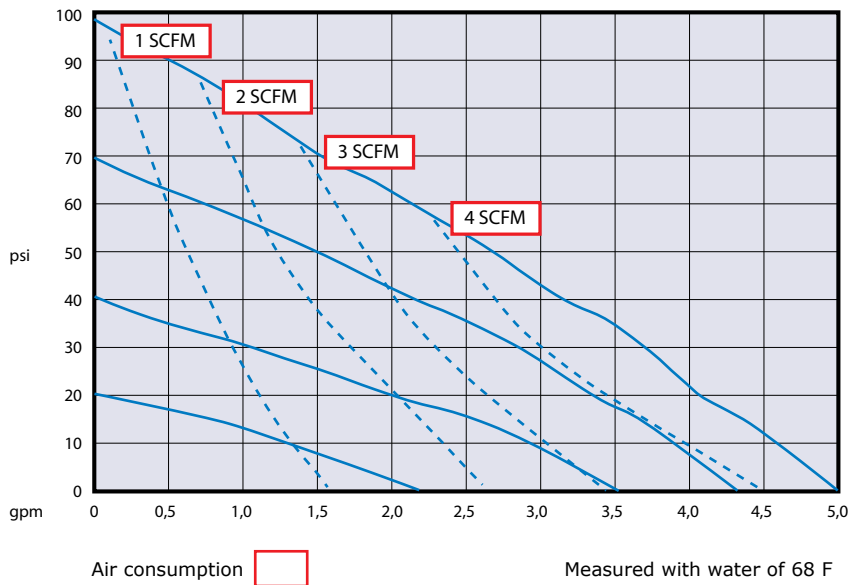
⚠ II 2 GD c IIC T4

Verderair

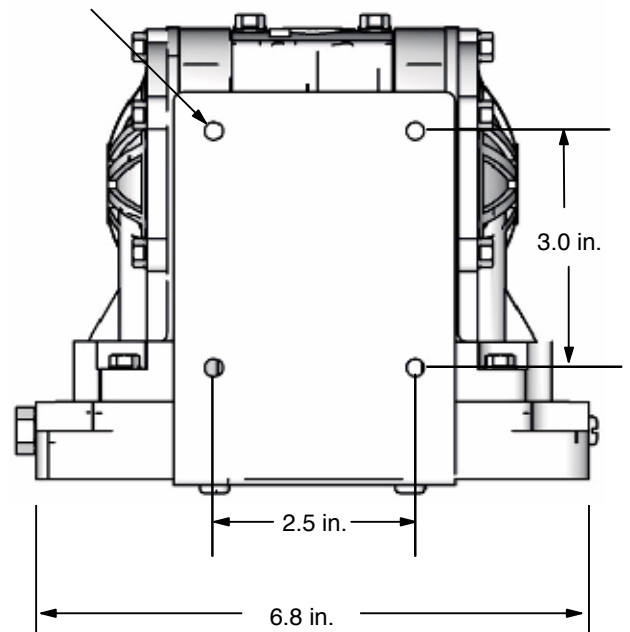
VA 08 Non-metallic



VERDERAIR®



Four 0.230 in. diameter holes



All dimensions are in inches.
All dimensions are for guidance only.

VA08nonmet_Technosheet_rev02_2017_(us)

Find your local supplier
at www.verderair.com

For construction, installation and floor mounting drawings
please contact your local authorised Verderair® distributor.

VERDER
passion for pumps

