

Verderair

VA80 (HE) metallic



VERDERAIR®

Description

The VA80 (HE) metallic double diaphragm pumps are excellent pumps for use in a wide range of applications across many industries. Those pumps are using the modern technology to make them the most efficient on the market! The air section is available in aluminium or plastic, the pump body is available in 3 different materials and there are 8 different materials available for the diaphragms. This makes it possible to select the best solution for your application.

Your benefits

- Energy efficient
- Less downtime
- Easy to install, operate and maintain
- Ant-ice muffler
- Free of air lubrication
- Non-stalling air valve
- Can run-dry without damage
- Dry self-priming

Technical data

Weight [lb]	Fluid & air section	AA	150.0
		SA	255
		SP	255
Max. suction lift [ft]	Dry	8	
	Wet	28	
Temperature [F]	Fluid section	Internals	
	All materials	AC, BN	10 180
		GE	-40 150
		NO, NW, NE	0 180
		PP	32 150
		SP	-40 180
		TF	39 220
	VT	-40 275*	
Max. Particle size [in]		0.5 (1/2)	
Max. recommended viscosity (mPas)		25000	

* in non explosive environments 320 F is possible

Code VA80 No.1 No.2 No.3 No.4. No.5 No.6 No.7

No.1 Fluid section

- ⚠ A = Aluminium
- ⚠ S = Stainless Steel

No.2 Air section

- ⚠ A = Aluminium
- P = Polypropylene

No.3 Check valve seats

- AL = Aluminium
- BN = Buna-N
- GE = Geolast
- HY = Hytrel (TPE)
- SP = Santoprene
- SS = Stainless Steel

VT = Viton (FKM)

No. 4 Check valve balls

- AC = Acetal
- BN = Buna-N
- GE = Geolast
- HY = Hytrel (TPE)
- SP = Santoprene
- VT = Viton (FKM)
- TF = PTFE
- NE = Neoprene
- NW = Neoprene Weighted

No.5 Diaphragms

- BN = Buna-N

- GE = Geolast
- HY = Hytrel (TPE)
- NE = Neoprene
- NO = Neoprene overmolded
- SP = Santoprene
- TF = PTFE/EPDM 2 piece
- VT = Viton (FKM)

No. 6 Connections

- TB = Threaded BSP*
- TN = Threaded NPT*

No. 7 Options

- OO = Standard
- SS = Stroke sensor

EXAMPLE PUMP TYPE

VA80AA AL GE GE TB OO

NOTE not all combinations are available

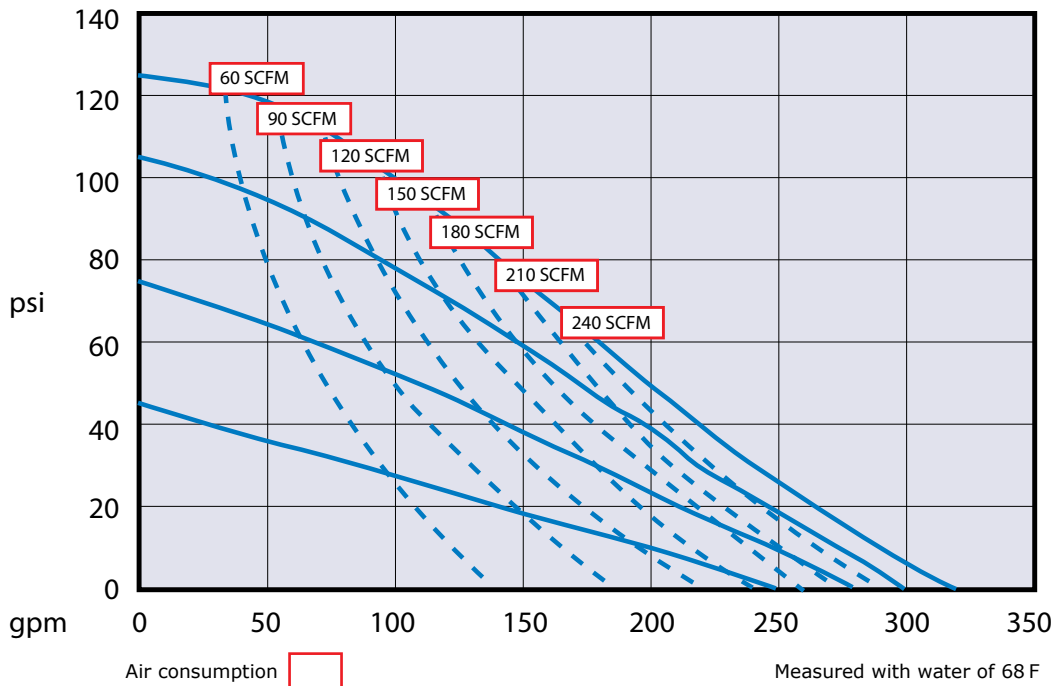
II 2 GD c IIC T4

Verderair

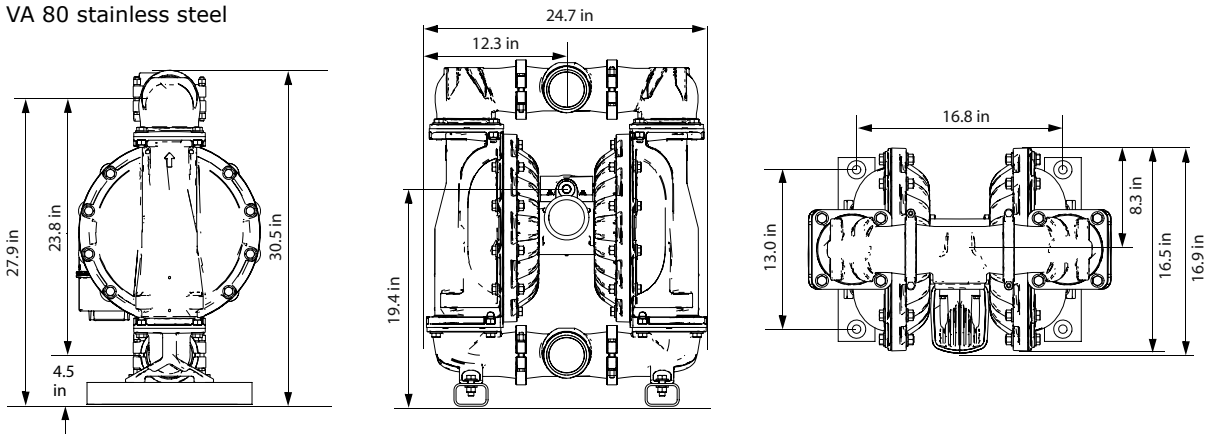
VA80 (HE) metallic



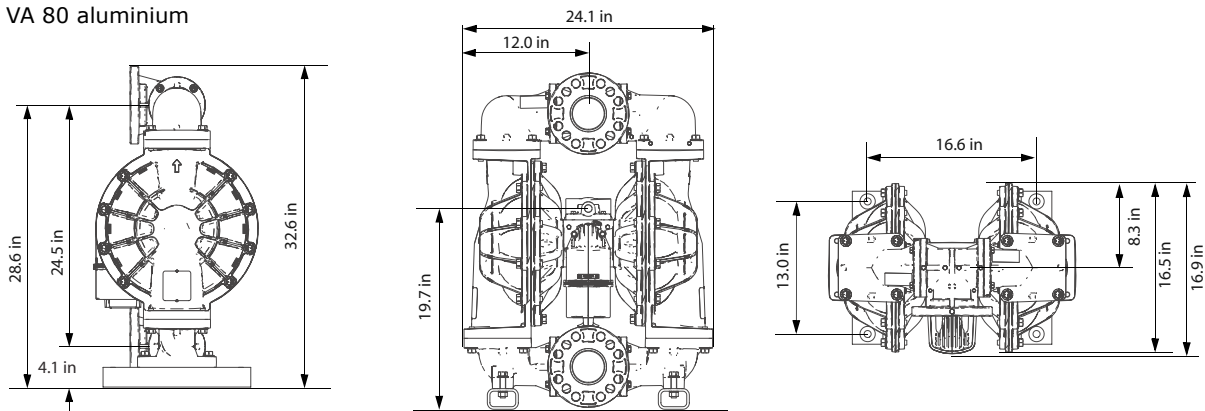
VERDERAIR®



VA 80 stainless steel



VA 80 aluminium



All dimensions are in inches.
All dimensions are for guidance only.

VA80met_Technosheet_rev02_2015_(us)

Find your local supplier
at www.verderair.com

For construction, installation and floor mounting drawings
please contact your local authorised Verderair® distributor.

VERDER
passion for pumps

