

# Verderair

## VA50 metallic



VERDERAIR®

### Description

The VA50 metallic double diaphragm pumps are excellent pumps for use in a wide range of applications across many industries. The reliability of those pumps and especially the air valves, have been proven in many industries since many years. The pumps are available in 3 different materials for the pump body and 7 different materials for the diaphragms. This makes it possible to select the best solution for your application.

### Your benefits

- Easy to install, operate and maintain
- Less downtime
- Free of air lubrication
- Non-stalling air valve
- Can run-dry without damage
- Dry self-priming

### Technical data

Weight [lb]	Fluid & air section	AA	57.9
		SA	110.9
		IA	130.1
		SS	134.5
Max. suction lift [ft]		Dry	8
		Wet	18
Temperature [F]	<b>Fluid section</b>	<b>Internals</b>	
	A, S, I	BN, GE, HY, SP, TO	40      150
	A, S, I	TF, VT	40      150
Max. Particle size [in]			0.25 (1/4)
Max. recommended viscosity (mPas)			20000

### Code VA50 No.1 No.2 No.3 No.4. No.5 No.6 No.7

#### No.1 Fluid section

- ⚠ A = Aluminium
- ⚠ I = Cast Iron
- ⚠ S = Stainless Steel

#### No.2 Air section

- A = Aluminium
- S = Stainless Steel

#### No.3 Check valve seats

- BN = Buna-N
- GE = Geolast
- HS = Hardened Stainless Steel
- HY = Hytrel (TPE)
- SP = Santoprene

- SS = Stainless Steel
- VT = Viton (FKM)

#### No. 4 Check valve balls

- AC = Acetal
- BN = Buna-N
- GE = Geolast
- HS = Hardened Stainless Steel
- HY = Hytrel (TPE)
- SP = Santoprene
- TF = Teflon
- VT = Viton (FKM)

#### No.5 Diaphragms

- BN = Buna-N

- GE = Geolast
- HY = Hytrel (TPE)
- SP = Santoprene
- TF = PTFE/Santoprene 2 piece
- TO = PTFE/EPDM overmolded
- VT = Viton (FKM)

#### No. 6 Connections

- TB = Threaded BSP
- TN = Threaded NPT

#### No. 7 Options

- OO = Standard
- EX = Extended
- RE = Remote

#### EXAMPLE PUMP TYPE

**VA50AA SS BN BN TB OO**

NOTE not all combinations are available

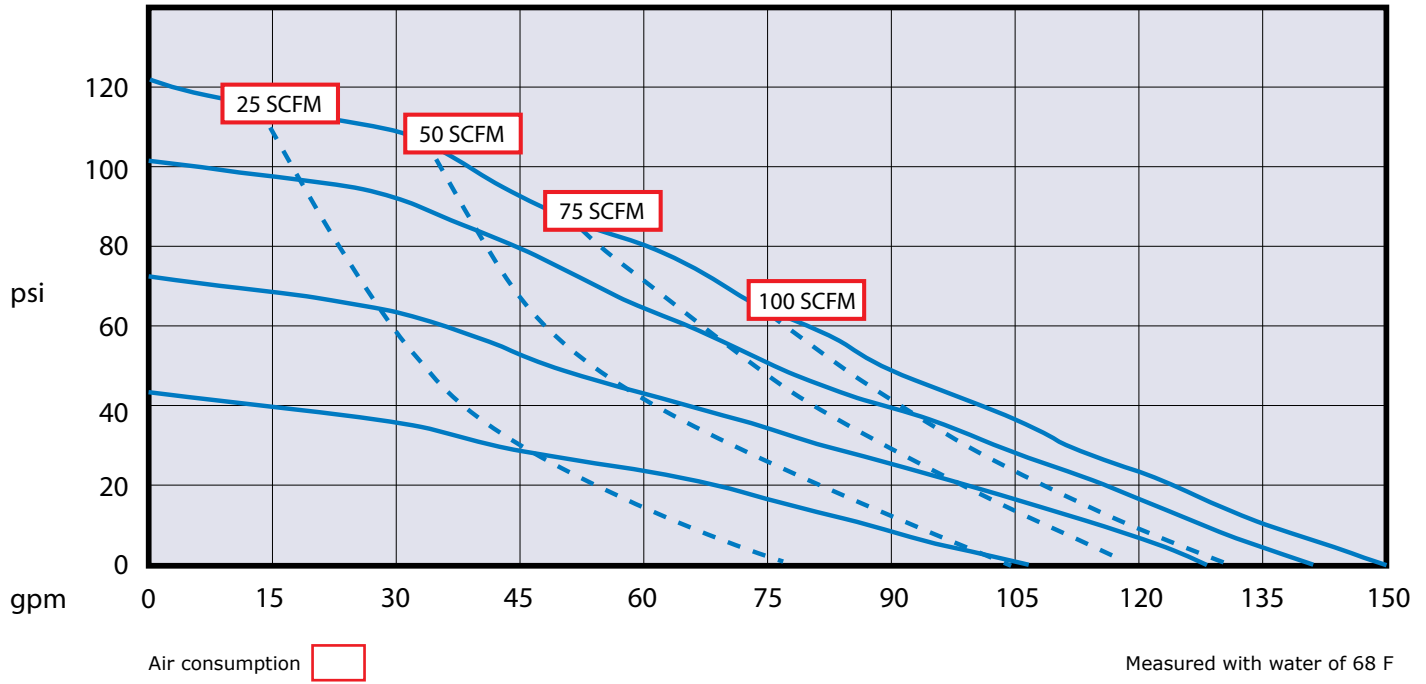
- ⚠ II 2 GD c IIC T4

# Verderair

## VA50 metallic



VERDERAIR®



# Verderair

## VA50 metallic



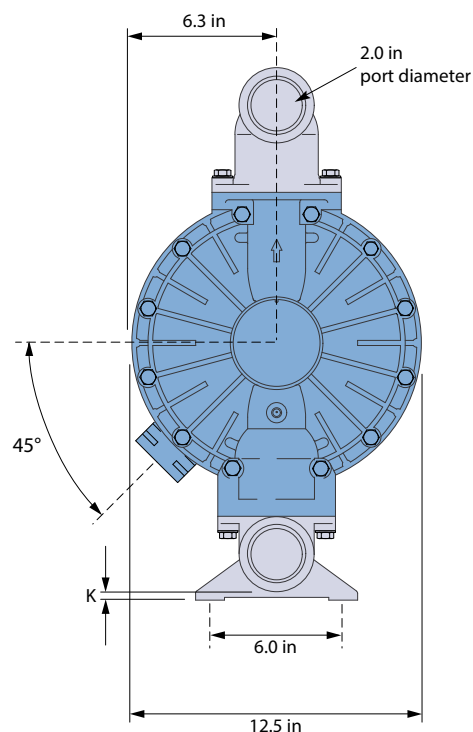
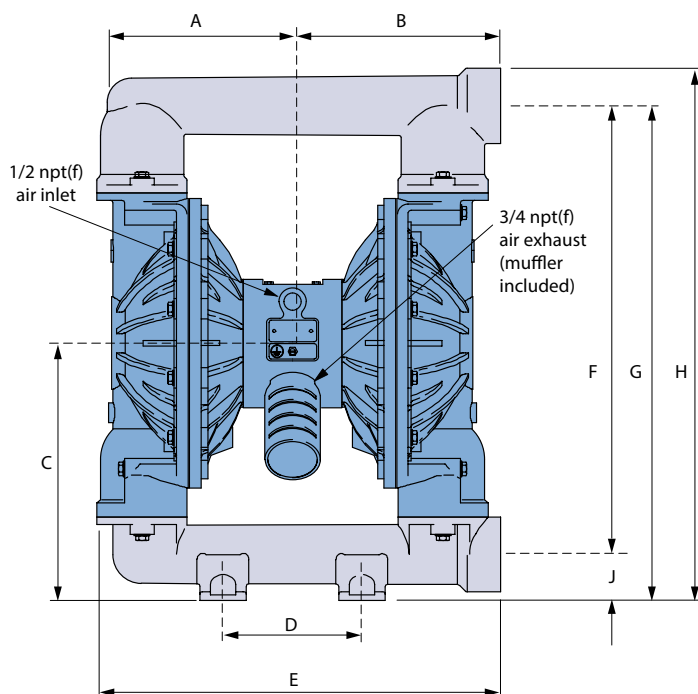
VERDERAIR®

### Dimensions in inch

	Stainless Steel	Cast Iron	Aluminium	Aluminium Extension *
<b>A</b>	8.9	8.4	8.4	8.4
<b>B</b>	9.4	9.7	9	9.1
<b>C</b>	15.2	12.9	12.9	12.9
<b>D</b>	6.5	6.0	6.0	6.0
<b>E</b>	18.1	18.5	17.5	17.4
<b>F</b>	22.3	19.3	19.9	22.9
<b>G</b>	24.9	21.3	21.9	24.9
<b>H</b>	26.3	22.8	23.6	26.5
<b>J</b>	2.5	2.0	2.0	2.0
<b>K</b>	0.9	0.6	0.4	.4

\* Aluminium extended pump matches the inlet to outlet dimensions of Wilden and Aro aluminium pumps.

This will help for ease of installation during upgrades.



VA50met\_Technosheet\_rev02\_2015\_(eu)

All dimensions are in inches.  
All dimensions are for guidance only.

Find your local supplier  
at [www.verderair.com](http://www.verderair.com)

For construction, installation and floor mounting drawings  
please contact your local authorised Verderair® distributor.

**VERDER**  
passion for pumps

