

Verderair

VA40 non - metallic



VERDERAIR®

Description

The VA40 non-metallic double diaphragm pumps are excellent pumps for use in a wide range of applications across many industries. The reliability of those pumps and especially the air valves, have been proven in many industries since many years. The pumps are available in 3 different materials for the pump body and 7 different materials for the diaphragms. This makes it possible to select the best solution for your application.

Your benefits

- Easy to install, operate and maintain
- Less downtime
- Free of air lubrication
- Non-stalling air valve
- Can run-dry without damage
- Dry self-priming

Technical data						
Weight [lb]	Fluid & air section	PA, CA	35.2			
		PS, CS	57.3			
		KA	48.5			
		KS	70.5			
Max. suction lift [ft]		Dry	8			
		Wet	18			
Temperature [F]	Fluid section	Internals	C, P	All internals	41	149
			K	BN, SP, TO, HY, GE	41	149
			K	TF, VT	41	199
Max. Particle size [in]			0.19			
Max. recommended viscosity (mPas)			15000			

Code VA40 No.1 No.2 No.3 No.4. No.5 No.6 No.7						
No.1 Fluid section		SP = Santoprene		GE = Geolast		
⚠ C = Conductive PP		SS = Stainless Steel		HY = Hytrel (TPE)		
K = Kynar (PVDF)		VT = Viton (FKM)		SP = Santoprene		
P = Polypropylene		No. 4 Check valve balls		TF = PTFE/Santoprene 2 piece		
No.2 Air section		BN = Buna-N		TO = PTFE/EPDM overmolded		
A = Aluminium		GE = Geolast		VT = Viton (FKM)		
S = Stainless Steel		HY = Hytrel (TPE)		No. 6 Connections		
No.3 Check valve seats		SP = Santoprene		FE = End flange DIN/ANSI		
BN = Buna-N		TF = Teflon		No. 7 Options		
HY = Hytrel (TPE)		VT = Viton (FKM)		OO = Standard		
KY = Kynar (PVDF)		No.5 Diaphragms		RE = Remote		
PP = Polypropylene		BN = Buna-N				

EXAMPLE PUMP TYPE

VA40PA PP SP SP FE OO

NOTE not all combinations are available

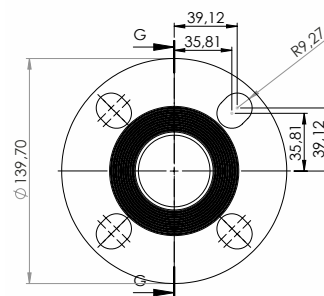
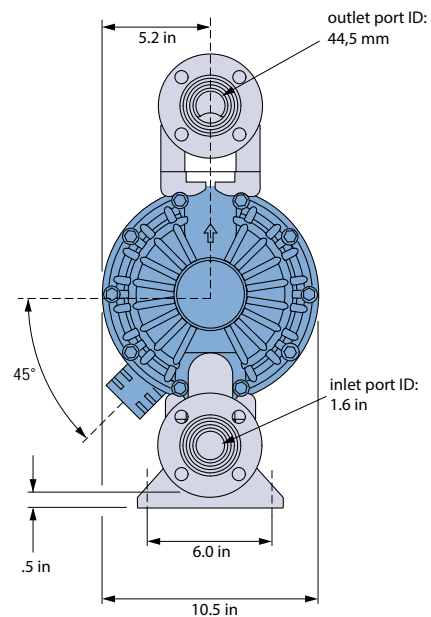
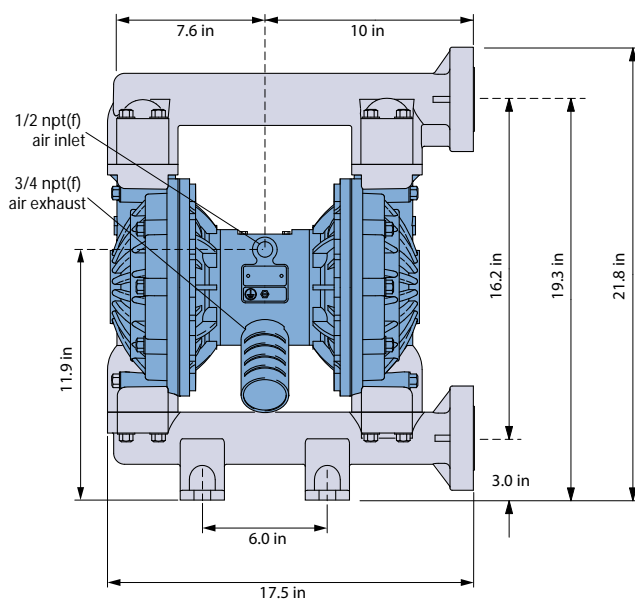
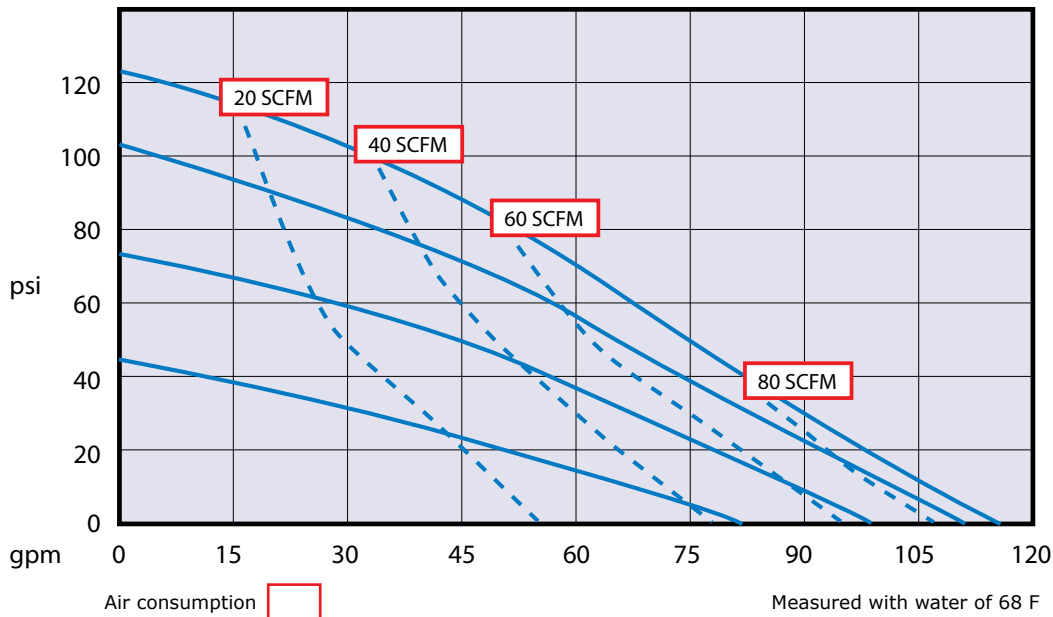
⚠ II 2 GD c IIC T4

Verderair

VA40 non - metallic



VERDERAIR®



FLANGE DIMENSION IN MM

VA40nonmet_Technosheet_rev02_2015_(us)

All dimensions are in inches.
All dimensions are for guidance only.

Find your local supplier
at www.verderair.com

For construction, installation and floor mounting drawings
please contact your local authorised Verderair® distributor.

VERDER
passion for pumps

