

Verderair

VA25 (HE) metallic



VERDERAIR®

Description

The VA25 (HE) metallic double diaphragm pumps are excellent pumps for use in a wide range of applications across many industries. Those pumps are using the modern technology to make them the most efficient on the market! The air section is available in aluminium or plastic, the pump body in 3 different materials and there are 9 different materials available for the diaphragms. This makes it possible to select the best solution for your application.

Your benefits

- Energy efficient
- Less downtime
- Easy to install, operate and maintain
- Ant-ice muffler
- Free of air lubrication
- Non-stalling air valve
- Can run-dry without damage
- Dry self-priming

Technical data

Weight [lb]	Fluid & air section	AA	23	
		SP	36.3	
		SC	37.3	
		SA	41.4	
		HC	41.0	
Max. suction lift [ft]		Dry	16	
		Wet	29	
Temperature [F]	Fluid section	Internals		
	All materials	AC, BN	10	180
		GE	-40	150
		HY	-20	150
		KY	10	225
		NO, NW, NE	0	180
		PP	32	150
		SP	-40	180
		TF	39	220
		TO	39	180
VT		-40	275*	
Max. Particle size [in]		0.13 (1/8)		
Max. recommended viscosity (mPas)		10000		

* in non explosive environments 360 F is possible

Verderair

VA25 (HE) metallic



VERDERAIR®

Code VA25 No.1 No.2 No.3 No.4. No.5 No.6 No.7

No.1 Fluid section

- A = Aluminium
- S = Stainless Steel
- H = Hastelloy

No.2 Air section

- A = Aluminium
- C = Conductive Polypropylene
- P = Polypropylene

No.3 Check valve seats

- AC = Acetal
- AL = Aluminium
- BN = Buna-N
- GE = Geolast
- HY = Hytrel (TPE)
- KY = Kynar (PVDF)
- PP = Polypropylene
- SP = Santoprene

- SS = Stainless Steel
- VT = Viton (FKM)

No. 4 Check valve balls

- AC = Acetal
- BN = Buna-N
- GE = Geolast
- HY = Hytrel (TPE)
- SP = Santoprene
- SS = Stainless Steel
- VT = Viton (FKM)
- TF = PTFE
- NE = Neoprene
- NW = Neoprene Weighted

No.5 Diaphragms

- BN = Buna-N
- GE = Geolast

- HY = Hytrel (TPE)
- NE = Neoprene
- NO = Neoprene overmolded
- SP = Santoprene
- TF = PTFE/EPDM 2 piece
- TO = PTFE/EPDM overmolded
- VT = Viton (FKM)

No. 6 Connections

- TB = Threaded BSP
- TN = Threaded NPT

No. 7 Options

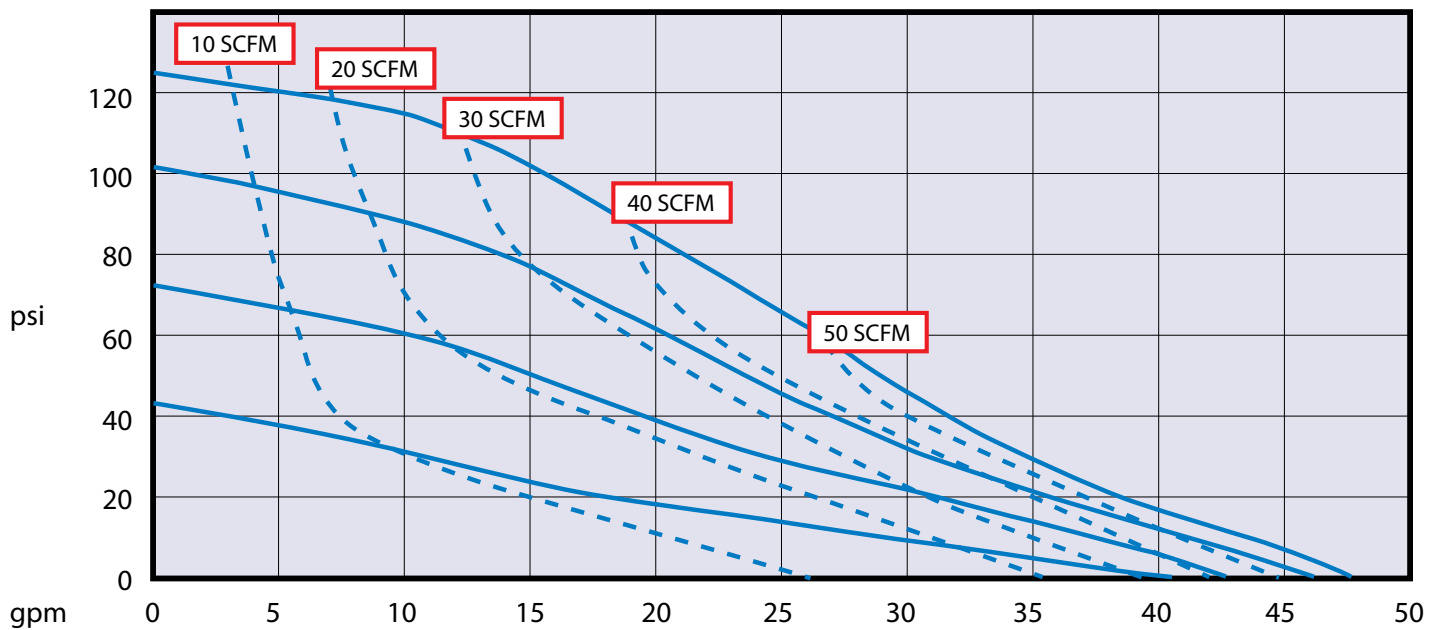
- OO = Standard
- RE = Remote
- SS = Stroke sensor
- UL = UL listed (only VA25AA)

EXAMPLE PUMP TYPE

VA25AA AL GE GE TB OO

II 2 GD c IIC T4

NOTE not all combinations are available



Air consumption

Measured with water of 68 F

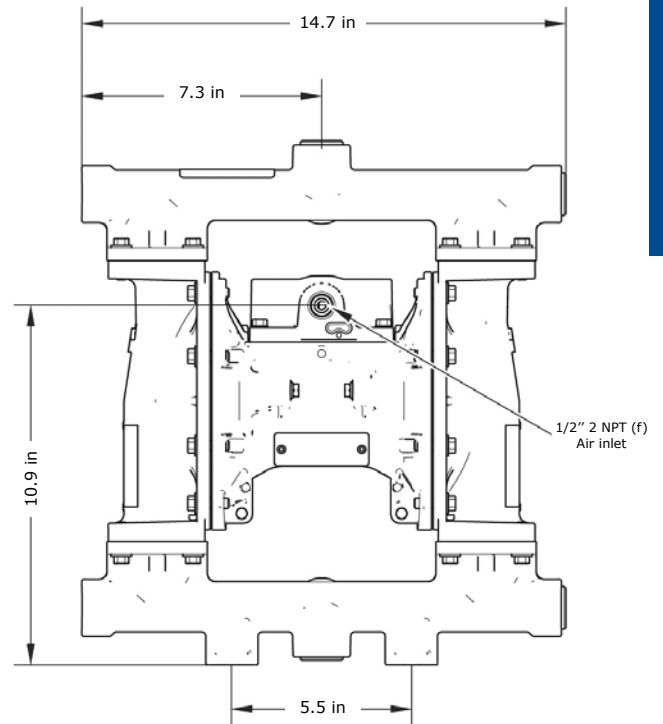
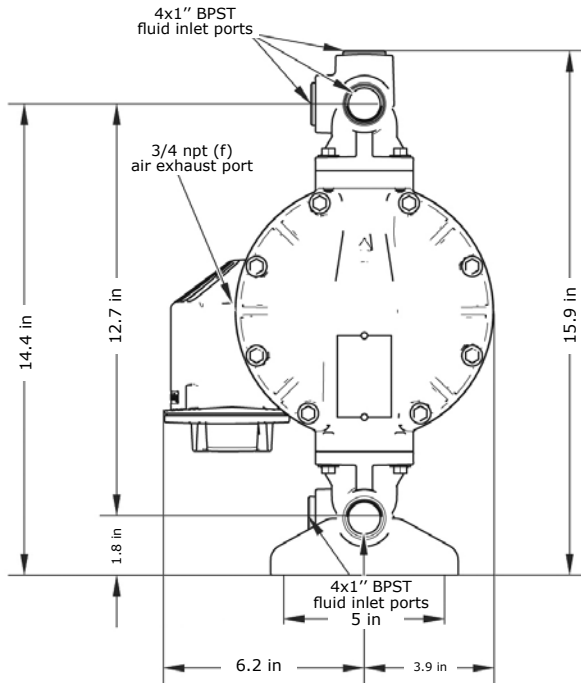
Verderair

VA25 (HE) metallic

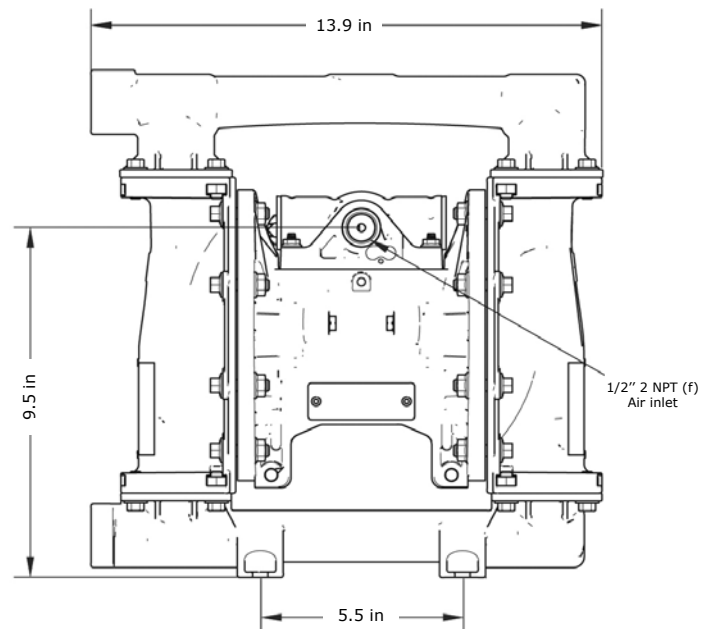
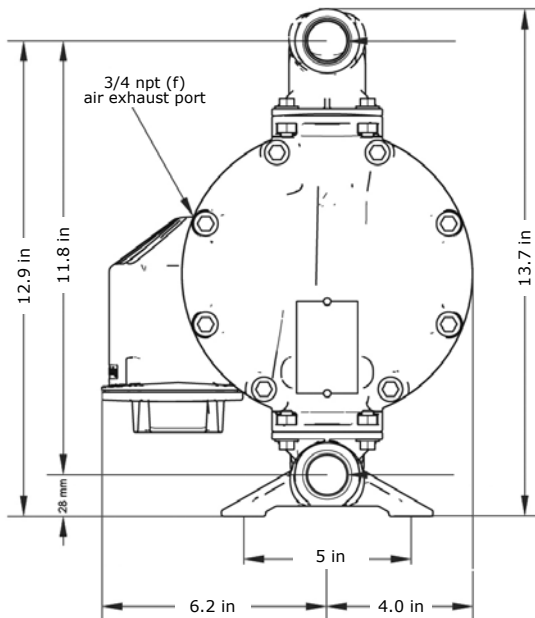


VERDERAIR®

VA 25 aluminium



VA 25 stainless steel



All dimensions are in inches.
All dimensions are for guidance only.

VA25_HE_met_Technosheet_rev02_2015_(us)

Find your local supplier
at www.verderair.com

For construction, installation and floor mounting drawings
please contact your local authorised Verderair® distributor.

VERDER
passion for pumps

