

# Verderair VA-H40 FD




VA-H40 FD

VERDERAIR


Technical data			
Weight [kg]	SS models		40,3
	SA models		37,6
Suction lift [mwc]	Dry		4,3
	Wet		8,8
Temperature [°C]	Internals	SP	-40      82
		TF / TO	4      104
		NW	-18      93
Max. Particle size [mm]			4,8
Max. Viscosity (mPas)			15000
Certifications	Internals	TF	EN1935/2004
	All models		FDA


## Code VA-H25 No.1 No.2 No.3 No.4 No.5 No.6 No.7

### no.1 Fluid section material

 S = 316 Stainless Steel, Ra: 3,2µm

### No. 2 Air Section material

 S = 316 Stainless Steel, Ra: 3,2µm

 A = Aluminium

### No. 3 Check Valve seat material

SE = SS seat with EPDM o-rings

ST = SS seat with PTFE o-rings

### No. 4 Check valve ball material

SP = Santoprene

TF = PTFE

NW = Neoprene Weighted

### No. 5 Diaphragm material

SP = Santoprene

 TF = PTFE/EPDM 2 piece

TO = PTFE/EPDM overmolded

### No. 6 Fluid connections

D5 = DIN 11851, DN50, male

T5 = Tri-Clamp (ASME BPE), 2"

### No. 7 Pump Style

FD = Food grade design

## EXAMPLE PUMP TYPE

# VA-H40SS ST TF TO D5 FD

NOTE not all combinations are available



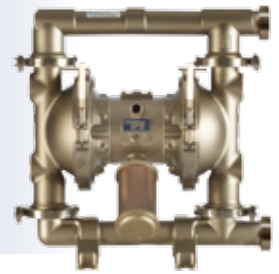
Ex II 2 GD c IIB T6



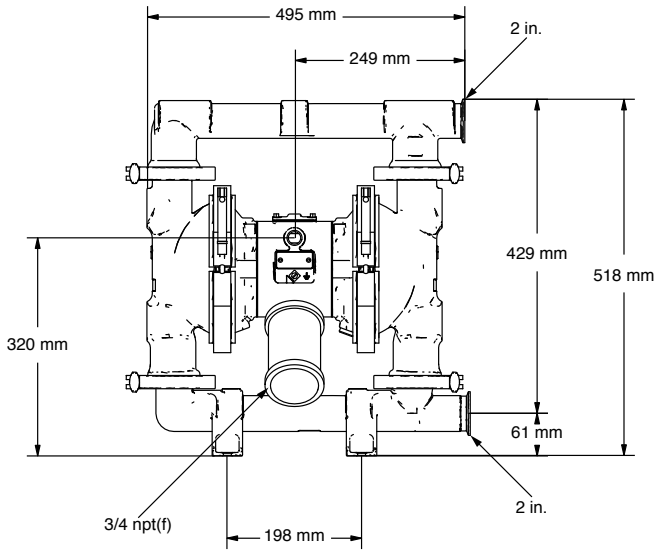
EN 1935/2004



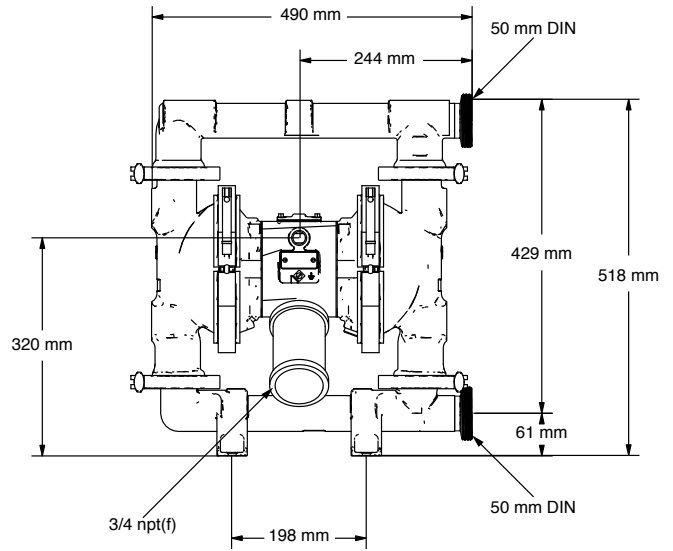
# Verderair VA-H40 FD



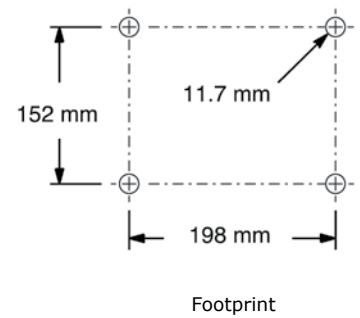
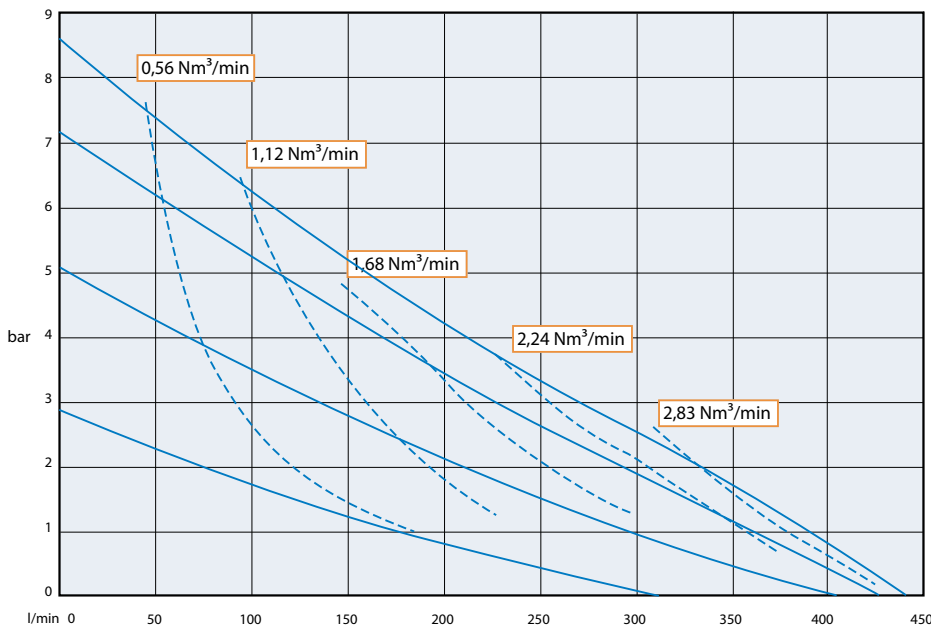
VA-H40 FD



VA-H40-FD Tri-Clamp



VA-H40-FD Din



Air consumption

VA-H40 FD\_Techno\_Rev01-2014\_EU\_(eu)

Find your local supplier at [www.verderair.com](http://www.verderair.com)

**VERDER**  
passion for pumps