

VERDERAIR HC-PURE FD SERIES

VA-HCP50

The Verderair HC-PURE series of hygienic double diaphragm pumps is designed for various hygienic applications. The electropolished surfaces reduce the risk of bacteria traps and contamination. The pumps are manufactured from SS 316L according to the highest hygienic design standards. Easy maintenance and a long lifetime results in less downtime for your production process.



Your benefits

- Electropolished
- Easy maintenance
- Solid machined centre block made from PE/Polyamide
- PTFE/EPDM overmolded diaphragms
- Maintenance free air valve

| Technical data | | Measurements |
|---|----------------------------|-------------------------|
| Nominal port size | DIN 11851 Tri-clamp | DN65 2,5" (ASME BPE) |
| Air inlet | BSPT | R 1/2" |
| Weight (lbs) | PA6 PE-Cond. | 128 124 |
| Suctionlift dry (fwc) | EPDM valves PTFE valves | 9,8 6,6 |
| Suction lift wet (fwc) | | 29,5 |
| Max. operating pressure (PSI) | | 102 |
| Max. operating temperature (°F) | PA6 PE-Cond. | 248 176 |
| Min. operating temperature (°F) | | -4,0 |
| Theoretical displacement volume (single stroke) (gal) | | 0,69 |
| Max. particle size of solids (in) | | 0,63 |

| Code VA-HCP50 No.1 No.2 No.3 No.4 No.5 No.6 | | |
|---|---|--|
| <p>No. 1 Housing & Center Section SN : SS AISI 316L & Polyamide (PA6) Ex SG : SS AISI 316L & Conductive polyethylene (PE-Cond.)</p> <p>No. 2 Seats & o-rings ST : SS AISI 316L & PTFE SE : SS AISI 316L & EPDM FDA</p> <p>No. 3 Valve ball EP : EPDM TF : PTFE</p> | <p>No. 4 Diaphragm TO : PTFE Overmolded EO : EPDM Overmolded</p> <p>No. 5 Connection D6 : DN65 DIN 11851 T6 : Tri-clamp 2,5" (ASME BPE)</p> | <p>No. 6 Options FD: Food grade 00: Industrial SS: Stroke sensor RE: Remote DM: Draining manual BS: Barrier system, sensors only LS: Leak detection, sensor only</p> |

NOTE not all combinations are available
 Ex II 2G/2GD Ex h IIC/IIIC T158 °F Gb/Gb Db

EXAMPLE PUMP TYPE
VA-HCP50 SG ST TF TO D6 FD

VERDERAIR HC-PURE FD SERIES

VA-HCP50

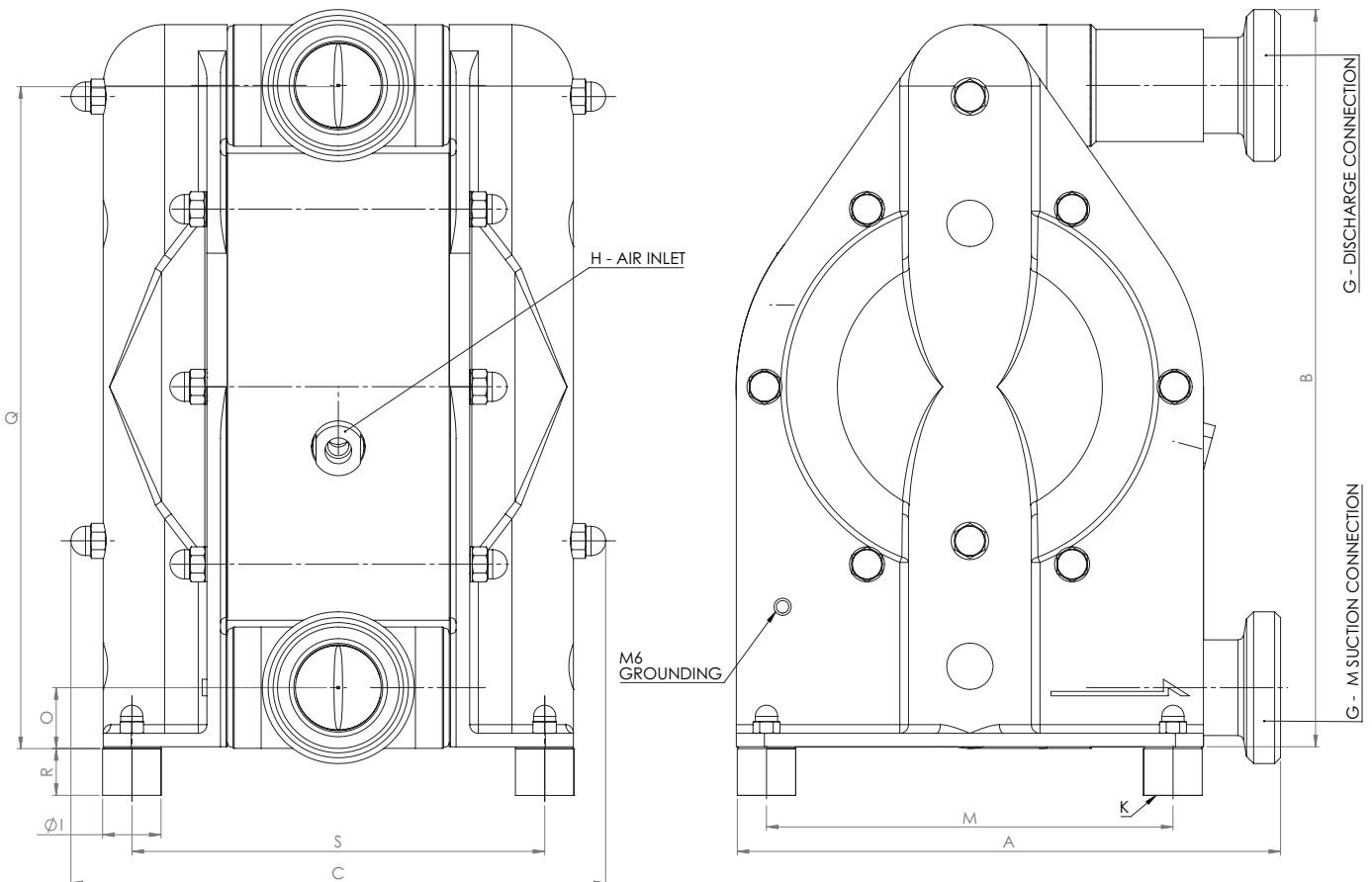


Dimensions

HC-PURE50 FD

| TYPE | A | B | C | G | H | I | K | M | O | Q | R | S |
|-----------|-------|-------|-------|--------|------|------|----|-------|------|-------|------|-------|
| HCP50 DIN | 15,35 | 21,14 | 14,53 | DN65 | R1/2 | 1,57 | M8 | 12,17 | 1,81 | 19,29 | 1,18 | 12,01 |
| HCP50 TC | 15,00 | 21,06 | 14,53 | 2 1/2" | R1/2 | 1,57 | M8 | 12,17 | 1,81 | 19,29 | 1,18 | 12,01 |

Dimensions in inches



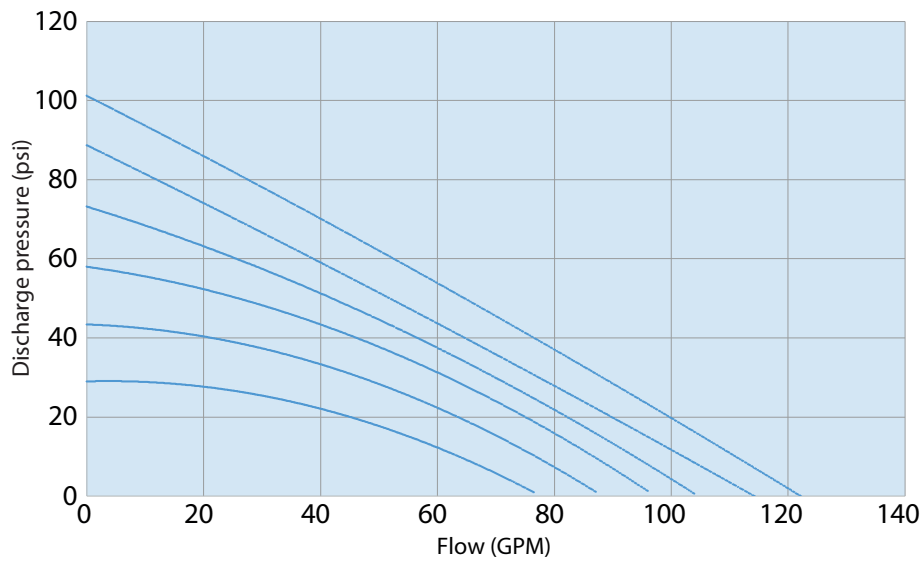
VERDERAIR HC-PURE FD SERIES

VA-HCP50

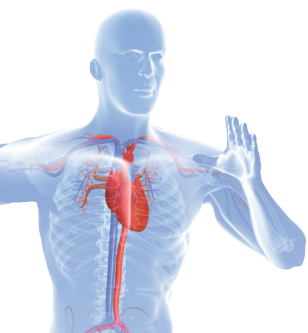


Performance charts

HC-PURE50 FD



23-VA-DA_HC-PURE FD50-us



Find your local supplier at www.verderliquids.com

For construction, installation and floor mounting drawings
please contact your local authorised Verderair® distributor.