

# VERDERAIR HC-PURE SB SERIES

## VA-HCP25 SB

The Verderair HC-PURE series of hygienic double diaphragm pumps is designed for various hygienic applications. The electropolished surfaces reduce the risk of bacteria traps and contamination. The pumps are manufactured from SS 316L according to the highest hygienic design standards. Easy maintenance and a long lifetime results in less downtime for your production process.




### Your benefits

- Electropolished
- Easy maintenance
- Solid machined centre block made from PE/Polyamide
- Rotatable stand for quick draining & servicing
- Single piece manifolds
- PTFE/EPDM overmolded diaphragms
- Manifold clamps for easy disassembly
- Maintenance free air valve

Technical data		Measurements
Max. flow rate (l/min)		156
Nominal port size	DIN 11851	DN40
Air inlet	BSP	R 1/4"
Weight (kg)	PA6	10,5
Suctionlift dry (mwc)	EPDM valves	2
	PTFE valves	1,5
Suction lift wet (mwc)		9
Max. operating pressure (bar)		7
Max. operating temperature (°C)	PA6	120
	PE-Cond.	70
Min. operating temperature (°C)		-20
Max. Viscosity (mPas)		10000
Theoretical displacement volume (single stroke) (l)		0,34
Max. particle size of solids (mm)		12

### PUMP CODING VA-HCP SB

Size	Housing	Seat and Gasket	Valves	Diaphragms	Connections	Options
15	XN: SS316L 0.8 µm	ST: Stainless steel	EP: EPDM ball	TO: PTFE overmolded	T4: Tri-clamp 1,5 in.	SB: Food grade
25	with PA6 air section	seats with PTFE gasket	TF: PTFE ball	EO: EPDM overmolded	D4: DIN 11851 DN40	SS: Stroke sensor
40	XG: SS316L 0.8 µm	SE: Stainless steel				RE: Remote
50	with PE conductive air section	seats with EPDM gasket				LS: Leak detection, sensor only
<b>Example: VA-HCP15 XN ST TF TO D2 SB</b>						

NOTE not all combinations are available  
 II 2G/2GD Ex h IIC/IIIC T70°C Gb/Gb Db

**EXAMPLE PUMP TYPE**  
**VA-HCP25 XN ST TF TO D2 SB**

# VERDERAIR HC-PURE SB SERIES

## VA-HCP25 SB

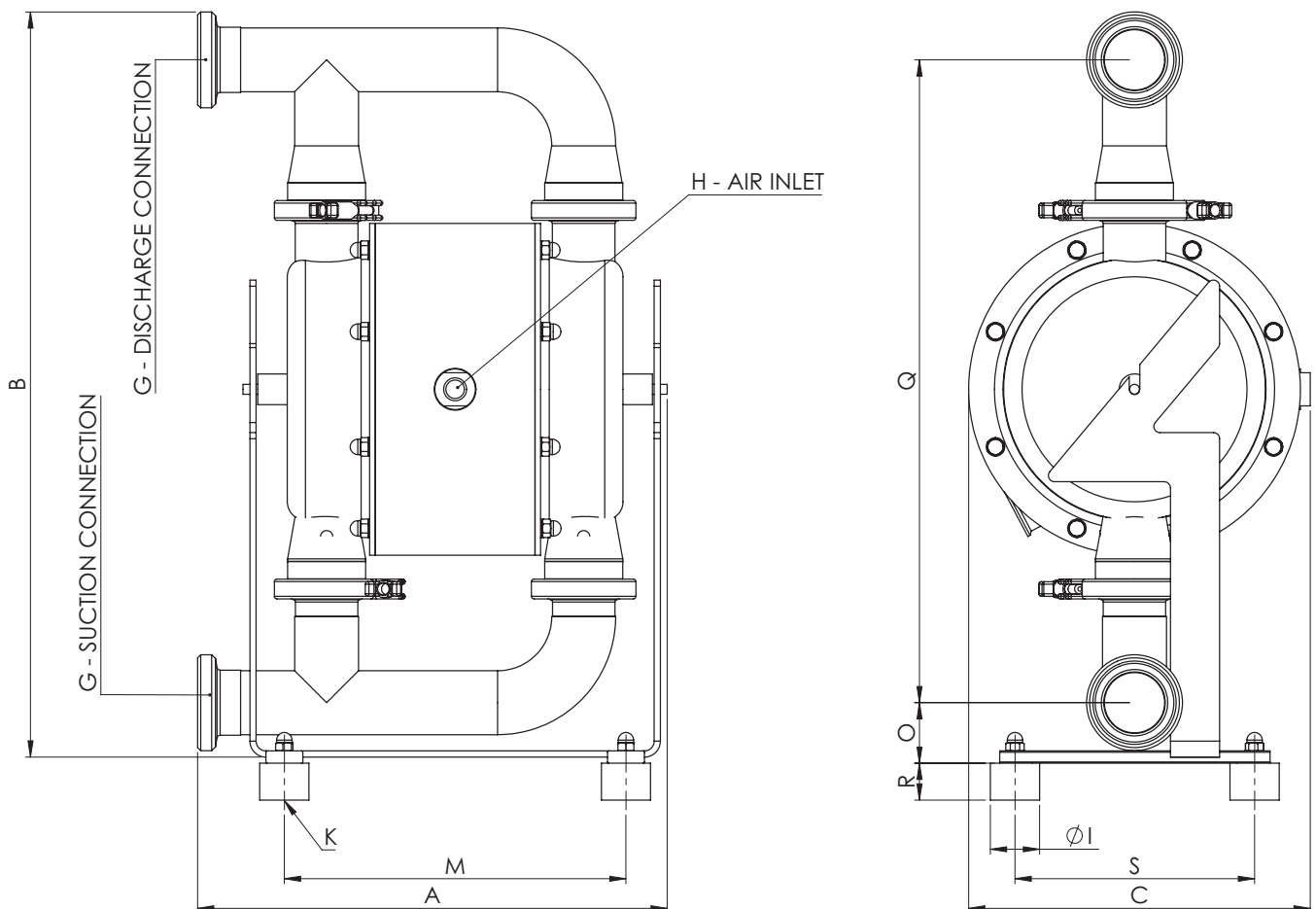


### Dimensions

HC-PURE25 SB

A[D]	C	G[D]	G[S]	G[T]	G[R]	H	I	K	M	O	Q	R	S
250	206	40	38	40	R1-1/4	R 1/4	25	M6	184	x	380	20	155

Dimensions in mm



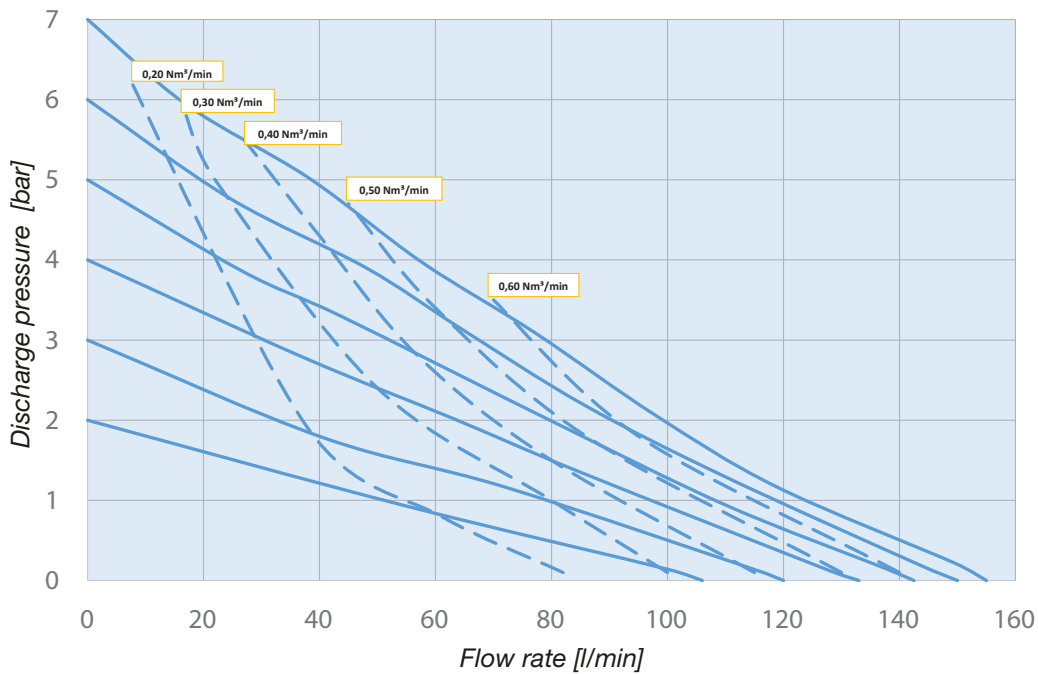
# VERDERAIR HC-PURE SB SERIES

## VA-HCP25 SB

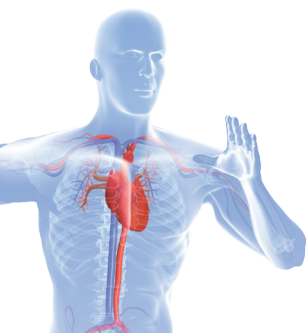


### Performance charts

HC-PURE25 SB



Air consumption



Find your local supplier at [www.verderliquids.com](http://www.verderliquids.com)

For construction, installation and floor mounting drawings  
please contact your local authorised Verderair® distributor.