



Description

The VA-EH25 is an electrical driven double diaphragm pump for food and cosmetic industrie. Having EC1935/2004 and FDA certification, this pump is the ideal problem solver in those industries. The VA-EH25 can run in “low pulsation mode” to reduce the generated pulsations in the flow or in “transfer mode” to generate a higher flow rate.

Your benefits

- EC1935/2004 and FDA certified
- Energy efficient
- Smoother flow when operating in “low pulsation mode”
- Low noise level
- Can stall against close discharge
- Can run dry without damage
- Dry self priming

Technical data	Drive options	Fluid & air section	
	AC	SA	62
		SS	75
Weight [kg]	Options		
	Cart	15	
	Compressor	13	
Max. Suction lift (mwc)		Dry	4,9
		Wet	8,8
Temperature (°C)	Internals		
		NW	4 90
		TO/TF	4 104
		SP	-40 82
Drive option			
Electric Motor	AC	Power (kW)	1,5
		Voltage (V)	3 x 230/460 - 50
Max. Particle size (mm)		3,2	
Air connection		3/8" NPT(f)	
Air consumption (Nm³/h)		< 0,006	
Max. recommended viscosity (mPas)		10.000	



Code VA-EH25 No.1 No.2 No.3 No.4.No.5.No.6.No.7.

No.1 Fluid section

S = Stainless Steel 316, 3,2 µm

No.2 Center section

A = Aluminium

S = Stainless Steel 316

No.3 Check valve seats

SE = SS seat with EPDM o-rings

ST = SS seat with PTFE o-rings

No. 4 Check valve balls

NW = Neoprene Weighted

SP = Santoprene

TF = PTFE

No. 5 Diaphragms

SP = Santoprene

TF = PTFE/EPDM 2 piece

TO = PTFE/EPDM overmolded

No. 6 Connections

D4 = DIN 11851, DN40, male

T4 = Tri-clamp (ASME BPE), 1 1/2"

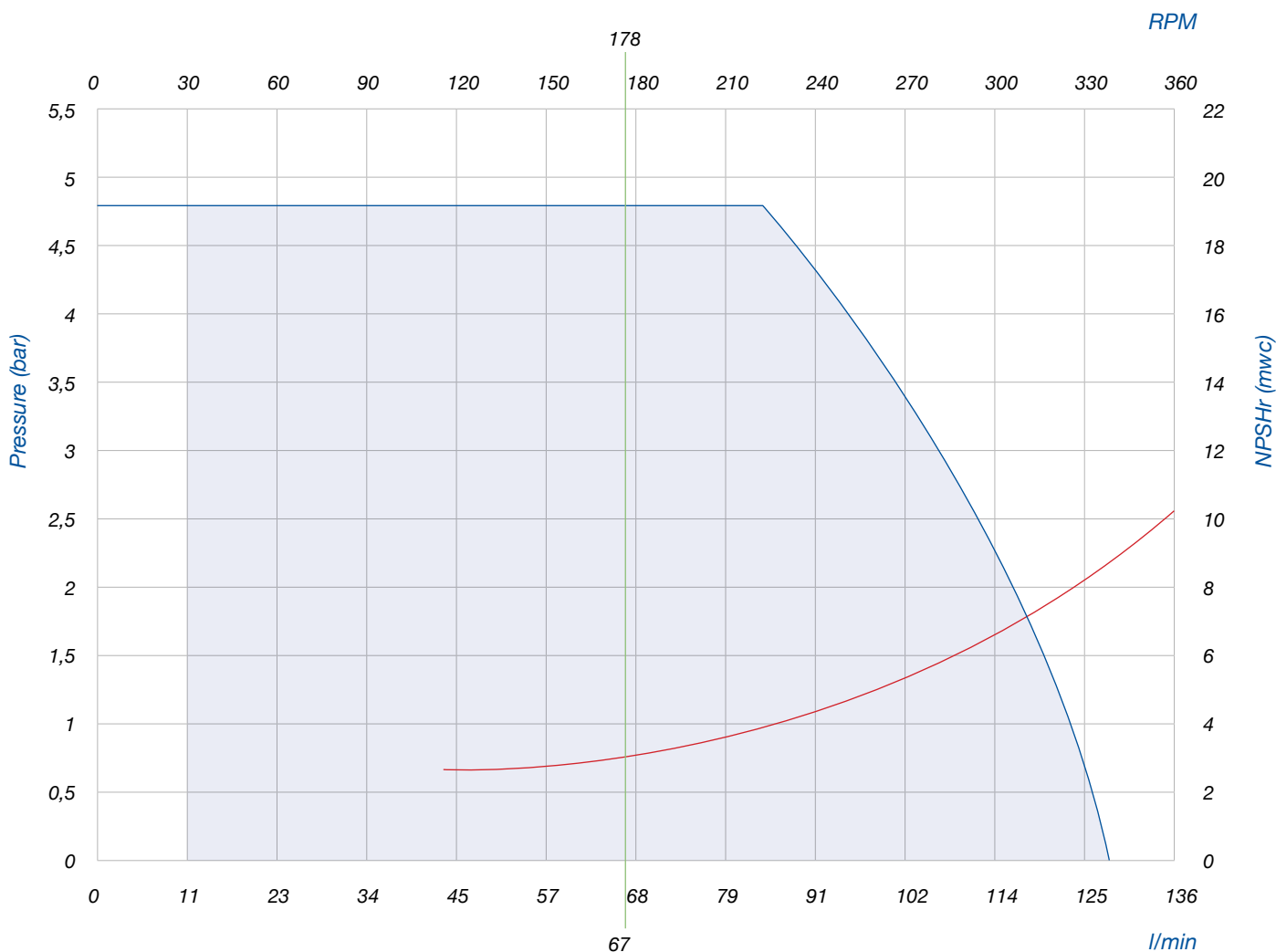
No. 7 Drive options

AC = 178 RPM, Gearbox with AC drive

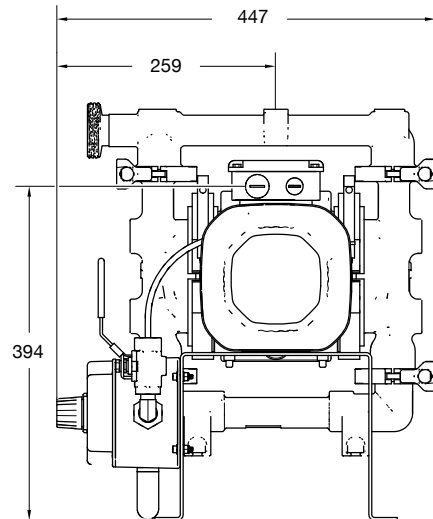
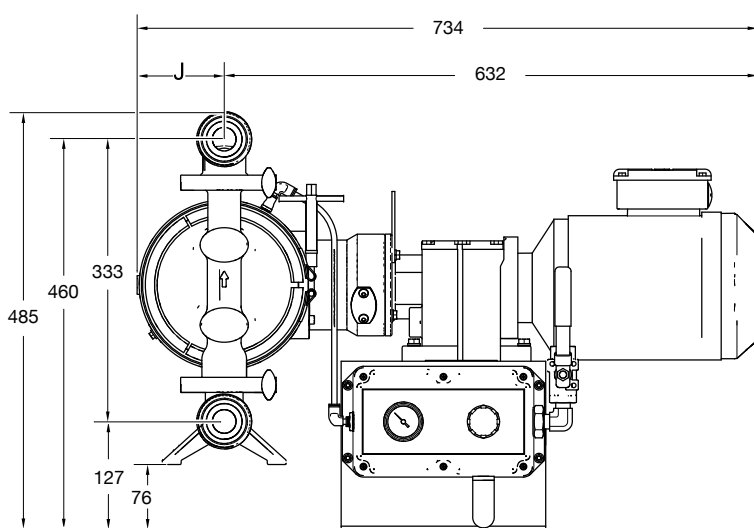
EXAMPLE PUMP TYPE

VA-EH25 SS ST TF TO D4 AC

NOTE not all combinations are available



Dimensions (mm)



Find your local supplier at www.verderair.com

For construction, installation and floor mounting drawings please contact your local authorised Verderair® distributor.