

### Description

The Packo pumps of the MFP3 series are used on the most demanding hygienic applications in almost all industries such as dairies, breweries, beverage industry, distilleries, etc. These robust pumps have stainless steel 316L cast pump casings and closed investment cast impellers, constructed in 316L or duplex materials. Thanks to its crevice-free design and electropolishing as a final surface treatment, the MFP3 pump series are the ideal reliable component into your production process.



### Application areas

These robust process pumps are the ideal reliable component for filtration applications, pasteurization, yeast propagation as well as for CIP cleaning systems. Typical applications include filtration of beer, wine and fruit juices as well as pumping yeast, whey, curd, CIP, etc.

### Your benefits

- High pump efficiency resulting in lower energy consumption
- Low NPSH values: less risk on cavitation
- Electropolished: easy to clean
- Easy construction and easy maintenance: Less downtime
- Standard components
- Easy to install
- 3 mechanical seal diameters for the entire range
- Robust construction

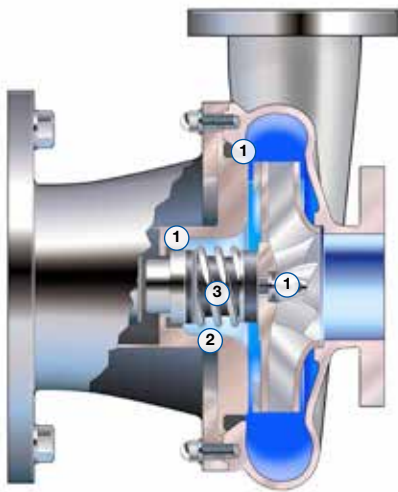
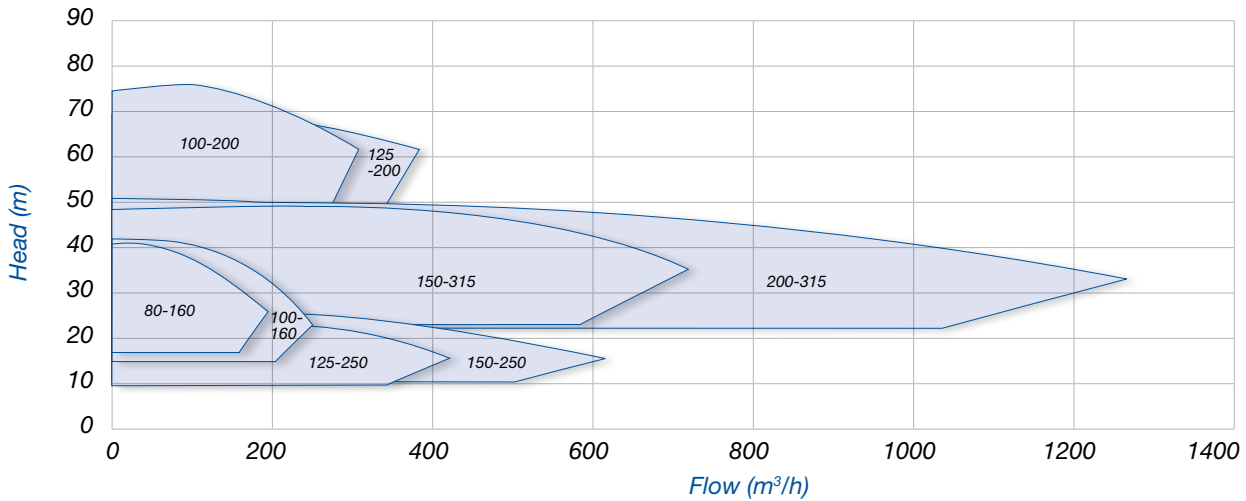
### Technical specifications

Max. flow rate	1250 m <sup>3</sup> /h*
Max. differential head	70 m
Max. liquid viscosity	500 cP
Max. temperature	140°C
Impeller type	Closed with back vanes and balancing holes
Max. free passage	27 mm
Max. motor power	250 kW
Max. speed	3000 / 3600 rpm
Available frequency	50 / 60 Hz
Connections	Sanitary fittings
Materials wetted parts	Stainless steel 316L or similar
Available materials o-ring	EPDM, FKM, FEP-FKM, FFKM, Silicone
Mechanical seal configuration	Single, quench, double
Surface finish	Food quality; internal welds hand polished + electropolished (average roughness 3.5 μm)
Certificates & Legislation	1935/2004 EC, FDA, USP, ATEX, EU N° 547/2012

\*Available up to 1700 m<sup>3</sup>/h in industrial design (see MCP3 series)



### Performance curves at 2900 rpm

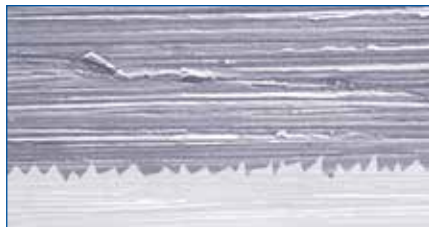


### Specifications

- Hygienic construction and standardized components
- No bacteria traps and no small clearances in order to clean the area around the O-ring (1)
- Solid design thanks to investment cast casings and impellers
- Large seal cavity to clean mechanical seal properly (2)
- Standardized mechanical seals to EN 12756
- FDA approved bellows mechanical seals (3) or sterile O-ring seals (spring not in contact with the liquid)
- Mechanical seal diameters depending on motor power (43 - 70 - 110 mm)
- Electropolished design (for wetted & non-wetted parts); easy to clean and increased corrosion resistance



Electropolished



Mechanical polishing 240 grit



Glass bead blasted

MFP3\_Food\_processing\_pump\_series\_Technosheet\_rev01\_2016\_(eu)



Find your local supplier at [www.verder-liquids.com](http://www.verder-liquids.com)

For construction, installation and floor mounting drawings please contact your local authorised Verder® distributor.