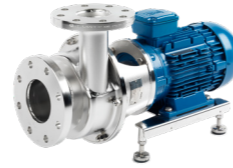
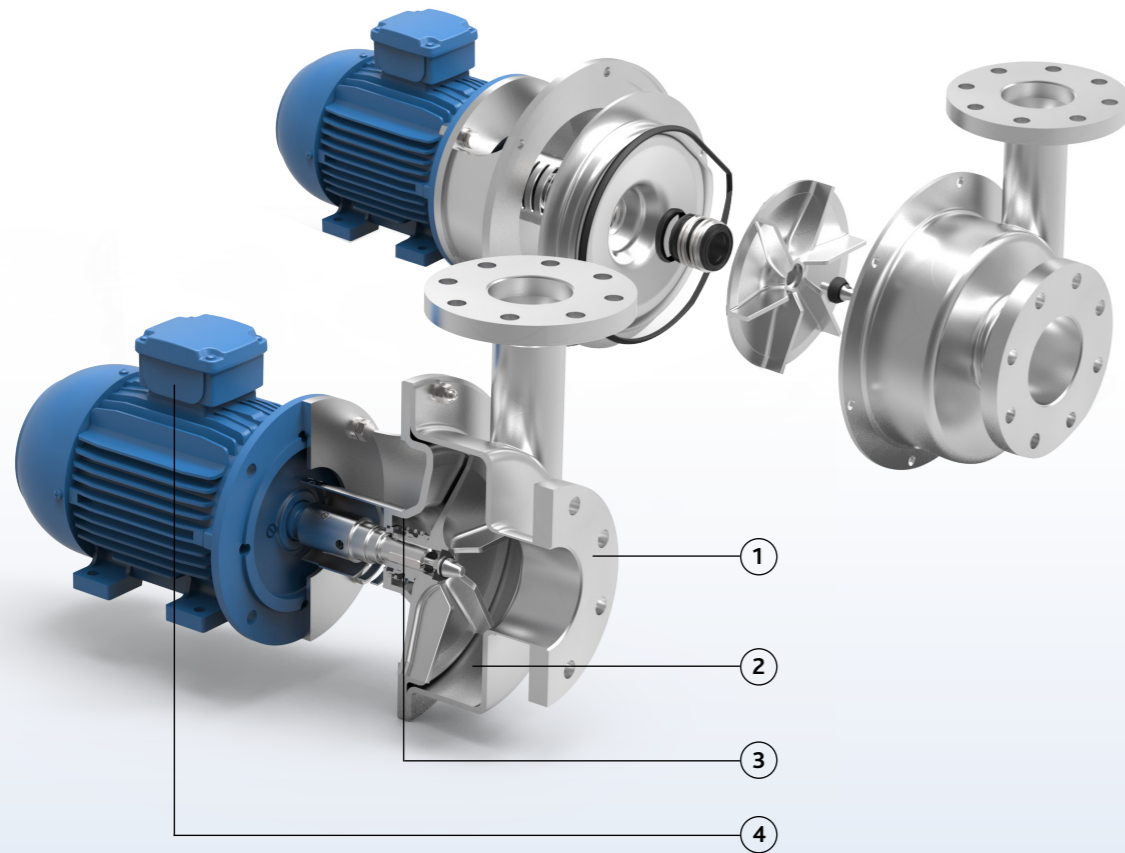


Pump series IFF



Characteristics

These robust pumps have stainless steel 316L pump casings constructed in thick cold rolled plate and can be equipped with open or vortex investment cast impellers stainless steel 316L or similar. The pumps have a large clearance between the impeller and the pump casing and as a result they can handle solids, fibres, foils and leaves without any risk of clogging. Thanks to its solid construction and electropolished design these pumps are the reliable component for your production process.



IFF

- 1 Pressed stainless steel, pump casing thickness up to 8 mm, back plate up to 30 mm
- 2 Large clearance between impeller and pump casing
- 3 Large seal cavity to guarantee liquid circulation around the seal
- 4 Monobloc execution with std. IEC motors
- 5 Standardized mechanical seals to EN 12756
FDA approved bellow mechanical seals or balanced O-ring seals



Your benefits

- Non-clogging, suitable for handling liquids with solids, fibres, foils and / or leaves
- Electropolished: higher resistance against corrosion
- Easy & robust construction and easy maintenance: less downtime
- Easy to install
- Solid impellers in investment cast material
- Standard components

Application areas

The Packo pumps of the series IFF are used in a wide range of industries and applications.

You can find them in just about all industries such as vegetable industry, water treatment and textile industry as well as in e.g. biogas, biodiesel and bioethanol applications.

Typically the pumps are transferring liquids with fibres and solids coming from washing or blanching vegetables, potato waste, circulation of liquids on digesters, etc.

Pump series

Performance

	IFF
max. flow rate	360 m ³ /h
max. differential head	35 m
max. inlet pressure	13 bar
max. liquid viscosity	500 cP
max. temperature	140°C
impeller type	open or vortex
max. free passage	35 mm
max. motor power	90 kW
max. speed	1500/1800 rpm
available frequency	50/60 Hz

Technical specifications

materials wetted parts	stainless steel 316L or similar
mechanical seal configuration	single bellow, single balanced, quench, double, pressurized barrier
available O-ring materials	EPDM, FKM, FEP-FKM
connections	BSP fittings, flanges according to EN1092-1/01 & 02, ANSI flanges
surface finish	industrial, internal welds not hand polished, electropolished
certificates & legislation	

Performance curves at 1450 rpm

IFF

