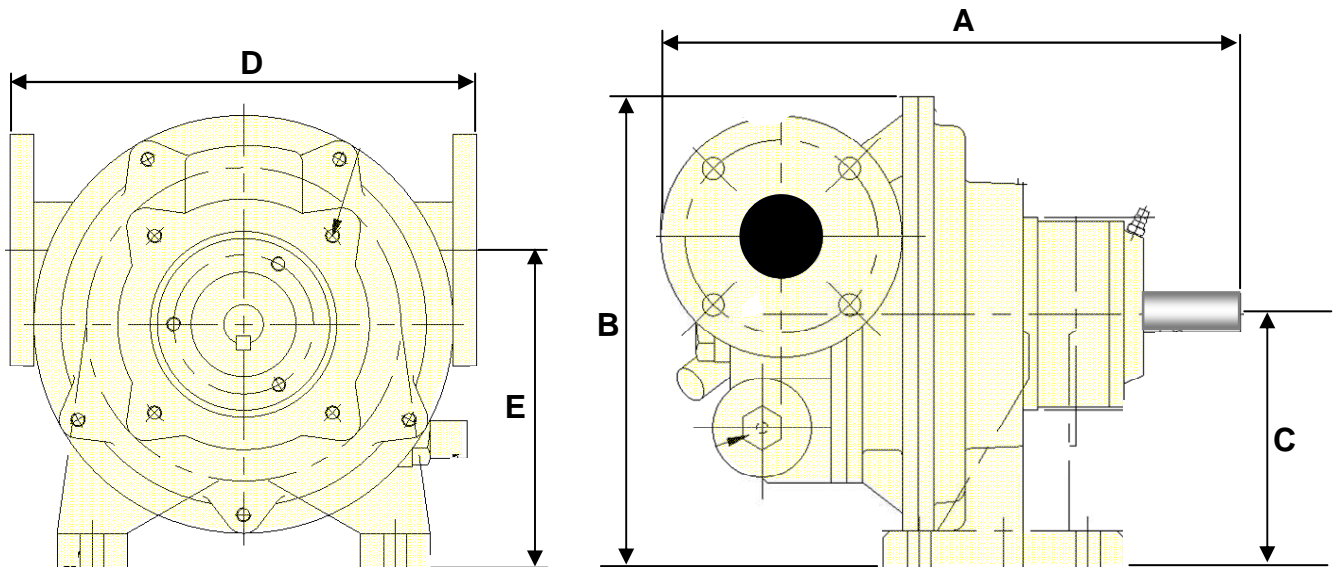


### CHARACTERISTICS

	STANDARD	AVAILABLE OPTIONS
<b>Technology</b>	Eccentric Disc Mouvex®	
<b>Maximum Flow rate at 1 cSt m<sup>3</sup>/h (GPM)</b>	2.3 (10.13)	
<b>Cubic capacity L (cu.in)</b>	0.0574 (3.5)	
<b>Internal relief valve</b>	With	Without
<b>Rotation</b>	Reversible	
<b>Ports</b>	Flanges	
<b>Heating</b>	None	
<b>Dimensions mm (in.)</b>	<b>A</b> 240 (9.45)	
	<b>B</b> 195 (7.68)	
	<b>C</b> 105 (4.14)	
	<b>D</b> 200 (7.87)	
	<b>E</b> 137 (5.39)	
<b>Weight kg (lbs)</b>	15 (33.07)	



### OPERATING LIMITS

	STANDARD MATERIALS
Minimum temperature °C (°F)	-10 (14)
Maximum temperature °C (°F)	150 (302)
Maximum viscosity cSt (SSU)	15000 (69500)
Maximum differential pressure bar (psi)	3.5 (51)
Maximum speed (rpm)	750

### MATERIALS OF CONSTRUCTION

Part No	PART NAME	STANDARD MATERIALS	AVAILABLE OPTIONS
101	Main Body	Cast iron + Kanigen (1)	
201	Cylinder	Ni-Resist Cast iron	
301	Disc	Stainless steel	
401	Front cover	Cast iron + Kanigen (1)	
501	Shaft	Stainless steel	
	Bushings	Carbon	Bronze
	Static O-rings	FKM	EPDM
	Mechanical seal	Carbon/stainless steel/FKM	Carbon/stainless steel/FEP Bronze/stainless steel/FKM Bronze/stainless steel/FEP Tungsten carbide/Tung. C / FKM Tungsten carbide/Tung. C / FEP

(1) Kanigen: 50µm coating. Nickel 92%, Phosphor 7%, Bismuth & Zinc 1%

