

# Dosing pump series G™ B

Flow rate up to 1200 l/h • Pressure up to 10 bar • Mechanically actuated diaphragm  
• Variable eccentric drive mechanism



## Main technical characteristics

- Flow rate up to 1200 l/h
- Pressure up to 10 bar
- High-efficiency, rolling PTFE diaphragm, Profil+®
- Mechanically actuated diaphragm
- Stroke adjustment by variable eccentric minimising pulsation and shock
- Simplex version
- Maximum temperature of pumped liquid: 50 °C <sup>(1)</sup>
- Adjustment of flow rate while running or stopped: from 0 to 100%
- Accuracy: ± 2% of rated flow from 10% to 100% stroke
- Suction lift: up to 4 m water <sup>(2)</sup>
- Maximum suction pressure: 2 bar <sup>(1)</sup>
- Cast aluminium housing with polyurethane RAL 1018 - 65 µ paint
- Lubrication by oil bath
- Option: double diaphragm

<sup>(1)</sup> Above, please consult

<sup>(2)</sup> 3 m water above 590 l/h



Dosing pump series G™ B

## Electrical characteristics of motors

### General characteristics:

- Power supply: 230/400 V - 50 Hz - three-phase
- Degree of protection: IP55, tropicalized for 90% humidity
- Insulation: class F
- Motor mounting:
  - G51 and G52: F130 flange, shaft end 14x30, frame 71
  - G53 to G78: F165 flange, shaft end 19x40, frame 71
- In compliance with European and international standards

### Options:

- G51 and G52: motor mounting F165 flange, shaft end 19x40
- Special motors: consult us

## Construction of liquid ends

Versions / Liquid end components	Polypropylene (PP)	PVDF	S. Steel (316L)
Liquid end body	PP	PVDF	316L
Valve body	PVDF <sup>(4)</sup>	PVDF	316L
Seats	PE	PVDF	316L
Balls	Glass <sup>(1)</sup>	Ceramic <sup>(3)</sup>	316L
Connections	PVC	PVDF	316L
Diaphragm	PTFE/PP <sup>(2)</sup>	PPTFE/PVDF <sup>(2)</sup>	PTFE/316L <sup>(2)</sup>
Seals	Viton	Viton / FEP	Viton <sup>(3)</sup>

<sup>(1)</sup> PVC for versions > 430 l/h

<sup>(2)</sup> Diaphragm insert on pumped fluid side

<sup>(3)</sup> PTFE for versions > 430 l/h

<sup>(4)</sup> PP for versions > 430 l/h

## Accessories

To meet your installation needs (long lengths of discharge, discharge pressure < 1.5 bar...) a large range of accessories is available on request (pulsation dampeners, safety and back pressure valves), consult us.

### Other liquid end construction:

- **Polyelectrolyte** version: PP liquid end with seats and balls in 316L S.S. and Hastelloy C springs.
- **Slurries** version: Up to 430 l/h - 316L S.S. liquid end with 440C balls, 316L S.S. seats and Viton seals / Above 430 l/h - 316L S.S. liquid end with 440C balls, 420 seats and PTFE seals.
- **Mixed PP/316L S.S.** version: Up to 430 l/h - PP liquid end with balls and seats in 316L S.S. and PVDF ball guide / Above 430 l/h - PP liquid end with balls and seats in 316L S.S.
- **Concentrated H<sub>2</sub>SO<sub>4</sub>** version: Up to 430 l/h - 316L liquid end with 904L S.S. seats, balls in Hastelloy C and Viton seals / Above 430 l/h - 316L liquid end with balls and seats in 904L S.S. and PTFE seals.

## Performances

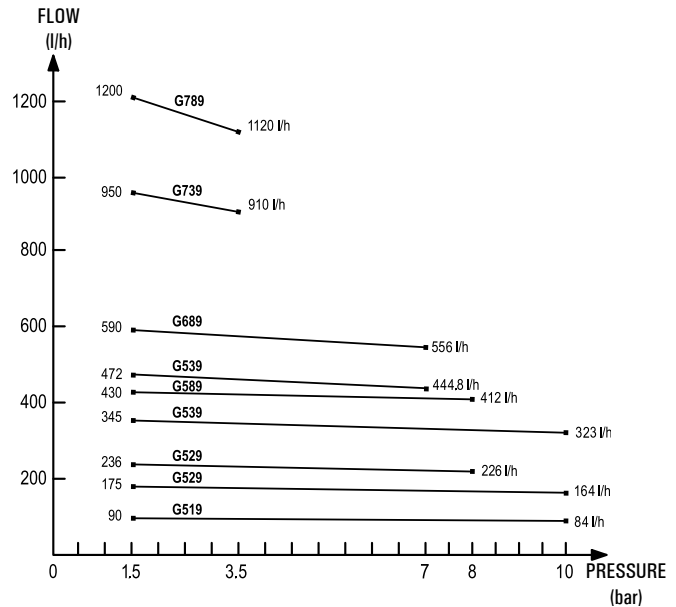
Type	Flow max. (l/h) <sup>(1)(2)</sup>	Pressure max. (bar)	Stroke length (mm)	Stroke speed (spm) <sup>(2)</sup>	Motor speed (rpm) <sup>(2)</sup>	Motor power (W) <sup>(3)</sup> - 3 ph
G51	90	10	12	36	1500	0.37
G52	175	10	12	72	1500	0.37
G52	236	8	12	72	1500	0.37
G53	345	10	12	144	1500	0.55
G58	430	8	12	180 <sup>(4)</sup>	1500	0.55
G53	472	7	12	144	1500	0.55
G68	590	7	12	180 <sup>(4)</sup>	1500	0.55
G73	950	3.5	12	144	1500	0.55
G78	1200	3.5	12	180 <sup>(4)</sup>	1500	0.55

<sup>(1)</sup> Maximum flow at 1.5 bar

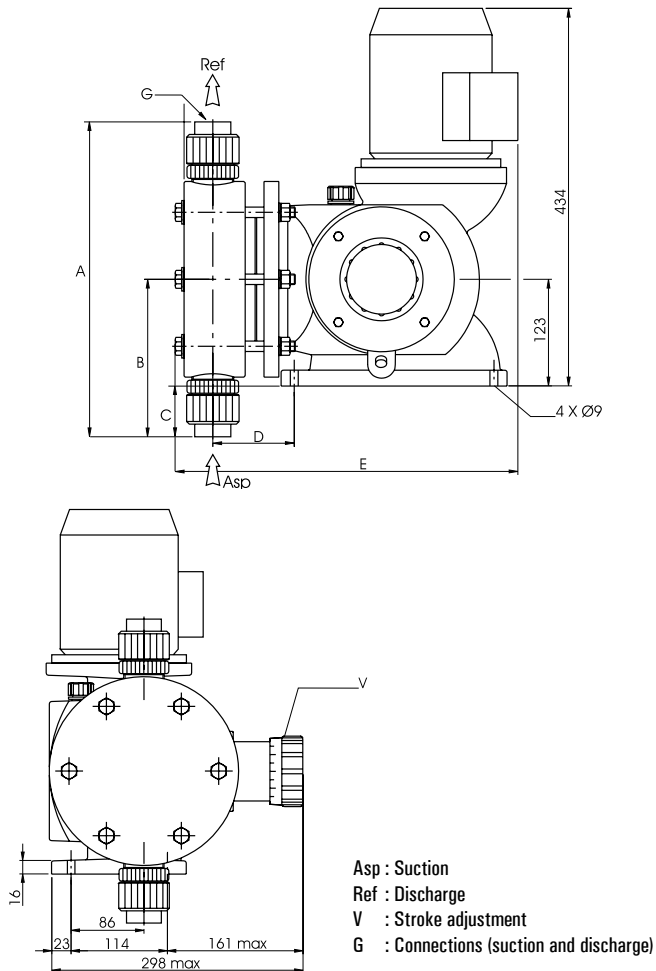
<sup>(2)</sup> Values with motor at 50 Hz (multiply by 1.2 for 60 Hz)

<sup>(3)</sup> Power supply at 50 Hz or 60 Hz with three-phase motor

<sup>(4)</sup> Do not use with 60 Hz motor



## Dimensions and connections



Dimensions (mm)				
Type		PP	PVDF	316L S.S.
G51	A	254	262	262
	B	127	131	131
	C	4	8	8
	D	65	65	65
	E	357	356	357
G52	G (tube)	DN15	F1/2" G	F1/2" G
	A	286	296	334
	B	143	148	167
	C	20	25	44
	D	76	76	81
G68	E	372	372	372
	G (tube)	DN25	F1" G	M1" G
	A	362	372	414
	B	181	186	207
	C	58	63	84
G73	D	93	93	98
	E	392	391	392
	G (tube)	DN25	F1" G	F1" G
	A	362	372	414
	B	181	186	207

## Weight and packing

	Net weight <sup>(1)</sup> (kg)	Gross weight <sup>(1)</sup> (kg)	Packing <sup>(2)</sup> (L x W x H - mm)
Minimum (plastic liquid end)	32	40	515 x 465 x 720
Maximum (S. Steel liquid end)	60	68	790 x 390 x 740

<sup>(1)</sup> Approximately - <sup>(2)</sup> Standard cardboard packing



A network of over 100 distributors and sales and service offices.

To find your local representative, visit our website:

[www.miltonroy-europe.com](http://www.miltonroy-europe.com)

G<sup>TM</sup>B - Ref. 160 5204 201N - 03/06 - Rev. H

All rights reserved for modification without prior notice - SIREN 663 650 547 B - RC Evreux - Printed in France.



VERDER NV

Kontichsesteenweg 17

B-2630 Aartselaar

Belgium

TEL +32 3 877 11 12

FAX +32 3 877 05 75

MAIL [info@verder.be](mailto:info@verder.be)

WEB [www.verder.be](http://www.verder.be)