

# Dosing pump series G™ A

Flow rate up to 170 l/h • Pressure up to 12 bar

- Mechanically actuated diaphragm • Variable eccentric drive mechanism



## Main technical characteristics

- Flow rate up to 170 l/h
- Pressure up to 12 bar
- Mechanically actuated PTFE diaphragm
- Stroke adjustment by variable eccentric minimising pulsation and shock
- Maximum temperature of pumped liquid: 40 °C
- Adjustment of flow rate while running or stopped: from 0 to 100%
- Accuracy: ± 2% of rated flow from 10 to 100% stroke
- Suction lift: up to 4 m water  
2.5 m suction lift for GA 90 to GA 170 models
- High vacuum suction lift option: 9 m water (consult us)
- Maximum suction pressure: 2 bar
- Housing in corrosion resistant glass fibre reinforced by thermoplastical material
- Life lubrication
- Options: double diaphragm, VARIPULSE® or frequency variation
- Integrable into an EH&S protection enclosure



Dosing pump series G™ A

## Electrical characteristics of motors

### General characteristics:

- Power supply:
  - 230/400 V - 50/60 Hz - three-phase
  - 230 V - 50 or 60 Hz - single-phase
  - 115 V - 50 or 60 Hz - single-phase
- Degree of protection: IP 55, tropicalized, insulation: class F
- In compliance with European and international standards

### Options:

- Motor mounting F130, shaft-end 14x30
- Explosion-proof motors: consult us (only out of EEC, pumps do not comply with ATEX directive)

## Accessories

- The Series G™ A pumps are supplied with the accessories described in the following chart (except for 316L S.S. and slurries versions)
- Available on request: 3 or 4 Function valves, bleed 4 Function valves, pulsation dampeners, safety and back pressure valves, consult us.

## Construction of liquid ends

Liquid end / Versions	Polypropylene (PP)	PVDF	S. Steel (316L)	High Viscosity (HV)
<b>GA 2 to GA 45 Versions</b>				
Liquid end body	PP	PVDF	316L	PP
Valve body	PVDF	PVDF	316L	PP
Seats	Aflas	PTFE	316L	PTFE
Balls	Ceramic	Ceramic	316L	316L
Connections	PVDF/PP	PVDF/PP	316L	PP
Diaphragm	PTFE/PVDF*	PTFE/PVDF	PTFE/316L	PTFE/PVC
Seals	Viton	Viton	Viton	-
<b>GA 90 to GA 170 Versions</b>				
Liquid end body	PP	PVDF	316L	PP
Valve body	PP	PVDF	316L	PP
Seats	PTFE	PTFE	316L	PTFE
Balls	Ceramic	Ceramic	316L	316L
Connections	PP/PVC	PVDF/PVC	316L	PP
Diaphragm	PTFE	PTFE	PTFE	PTFE
Seals	-	-	Viton	-

\* Except on GA 2 to GA 10 = PTFE/PVC

### Other liquid end construction:

- PVC version (GA 90 to GA 170 only): PVC construction with ceramic balls
- Fluorinated liquid version: PVDF construction with PTFE balls
- Slurries version: 316L S.S. construction with 440C balls
- PP/316L mixed version: PP construction with 316L S.S. balls

## ACCESSORIES

For PP, PVDF, PVC, Fluorinated Liquids and Mixed liquid ends:

- GA 2 to GA 45 versions: pumps supplied with 1 injection nozzle, 1 foot valve + weight, 1 PE flexible hose (6 m) 6x8, 1 reinforced PVC hose (6 m) 6x12 and 1 gas connection 1/2" male.
- GA 90 to GA 170 versions: accessories available on request.

For High Viscosity liquid end:

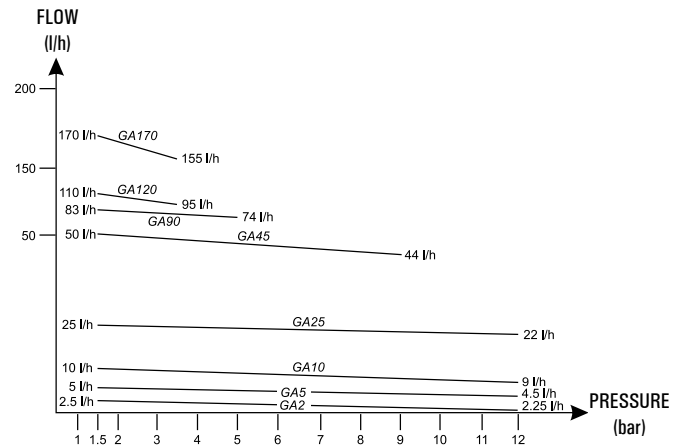
- GA 2 to GA 45 versions: pumps supplied with: Suct. = 2 m hose 15x23 + 1/2" NPT male - Disch. = 3 m hose 0.500" OD, 1 injection nozzle.
- GA 90 to GA 170 versions: pumps supplied with: Suct. = 2 m hose 15x23 + 1/2" NPT male - Disch. = Threaded socket 1/2" NPT male.

## Performances

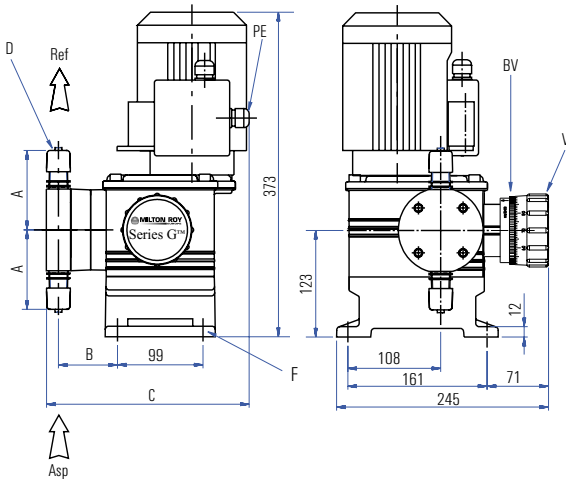
Type	Flow max. (l/h) (1)(2)	Pressure max. (bar)	Stroke length (mm)	Stroke speed (spm) (2)	Motor speed (rpm) <sup>(2)</sup>	Motor power (W)	
						1-ph	3-ph
GA 2	2.5	12	4	36	1500	180	90
GA 5	5	12	4	72	3000	180	120
GA 10	10	12	4	144	3000	180	120
GA 25	25	12	6	72	3000	180	120
GA 45	50	10	6	144	3000	180	120
GA 90	83	5	6	72	3000	180	120
GA 120	110	3.5	4	144	3000	180	120
GA 170	170	3.5	6	144	3000	180	120

(1) Maximum flow at 1.5 bar

(2) Values with motor at 50 Hz (multiply by 1.2 for 60 Hz)



## Dimensions and connections



Asp : Suction  
Ref : Discharge  
V : Stroke adjustment  
BV : Stroke adjustment locking

PE : Motor gland  
F : 4 holes  $\phi$  9  
D : Connections

Types	Dimensions	Versions	PP/PVDF/PVC/Mixed	316L	HV	
	(mm)	Connections	T	N	H	
GA 2	A		91	102	105	
GA 5	B		68	68	83	
GA 10	C		234	236	253	
GA 25 GA 45	A		91	102	108	
	B		69	68	73	
	C		235	236	243	
	(mm)	Connections	P	Q	N	H
GA 90	A		109	143	123	110
GA 120	B		98	98	98	98
GA 170	C		266	270	273	266

### Connections:

T = PE flexible hose 6x8, reinforced PVC hose 6x12 and connections 1/2" male  
N = Threaded socket 1/2" BSP female  
H = GA 2 to GA 45: Suct. = vinyl hose 15x23 - Disch. = PE tubing 9x12  
H = GA 90 to GA 170: Suct. = vinyl hose 15x23 - Disch. = 1/2" male  
P = Threaded socket 1/2" NPT male  
Q = Female socket for DN15 rigid tubing (PVC)

## Weight and packing

Versions	Net weight <sup>(1)</sup> (kg)	Gross weight <sup>(1)</sup> (kg)	Packing <sup>(2)</sup> (L x W x H - mm)
GA 2 to GA 170 (PP)	7	9	400 x 300 x 490
GA 2 to GA 45 (316L)	8	10	400 x 300 x 490
GA 120 to GA 170 (316L)	12	14	400 x 300 x 490

(1) Approximately - (2) Standard cardboard packing



A network of over 100 distributors and sales and service offices.

To find your local representative, visit our website:

[www.miltonroy-europe.com](http://www.miltonroy-europe.com)

G<sup>TM</sup>A - Ref. 160 5203 201N - 03/07 - Rev. I

All rights reserved for modification without prior notice - SIREN 663 650 547 B - RC Evreux - Printed in France.



VERDER NV

Kontichsesteenweg 17

B-2630 Aartselaar

Belgium

TEL +32 3 877 11 12

FAX +32 3 877 05 75

MAIL [info@verder.be](mailto:info@verder.be)

WEB [www.verder.be](http://www.verder.be)