

PRIMEROY® L dosing pump

Hydraulically actuated diaphragm liquid end • Flow rate up to 3300 l/h • Pressure up to 45 bar



Main mechanical characteristics

- Reciprocating dosing pump with variable stroke length
- Stroke micrometric adjustment while running or stopped
- Multiplexing capability up to 2x3 heads
- Maximum stroke length: 50 mm
- Stroke speeds at 50 Hz - 1000 rpm: 64 and 80 spm
Stroke speeds at 50 Hz - 1500 rpm: 96, 120 and 149 spm
- Design end load: 900 daN

Main liquid end configurations

- Diaphragm liquid end ("H") or ("P"):
 - Liquid end body: 316L stainless steel ("H") or plastic ("P")
 - Diaphragm: PTFE
 - Hydraulically actuated diaphragm
 - "GSD" design (patented), life currently exceeding 20,000 hours
 - Compact footprint for high flow rates



PRIMEROY® L dosing pump

Main electrical characteristics

- Motor power supply: 400 V - 50 Hz - 3 phase as standard.
Other voltages/frequencies on request
- Electric equipment for non hazardous or hazardous area, large variety of protections and insulations
- Conforming to the European standards, Nema motors available

Performance

- Conformity to API 675
- In accordance with ATEX CE EX II 2 G/D c T3 or T4 on request

GSD diaphragm and metallic liquid end ("H")

Ø Plunger (mm)	Swept volume (cm ³)	Ø Diaphragm (mm)	Stroke speed max. (spm) Motor speed 1500 rpm	Flow rate max. (l/h)		Pressure max. (bar)	Connections
				10 bar	P. max.		
40	62.83	145	149	506	452	45	1" - VV1 m
50	98.17	145	149	807	722	45	1" - VV1 m
63	155.86	225	149	1254	1205	23	2" - VV1 m
70	192.42	225	149	1582	1520	23	2" - VV1 m
80	251.32	225	149	2067	2023	17	2" - VV1 m
90	318.08	225	149	2616	2589	14	2" - VV1 m
100	392.69	225	149	-	3300	11	2" - VV1 m

Options

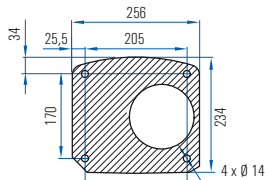
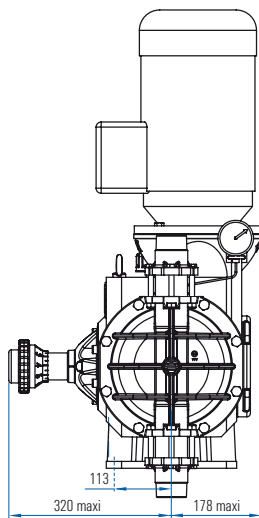
- Double or triple diaphragm
- Diaphragm failure detection
- Cooling/heating jacket
- Special materials
- Food grade design
- Slurry configuration
- Special valves
- Remote valves
- Automatic flow rate adjustment: electronic servomotor (waterproof or explosion-proof), pneumatic servomotor
- Rev counter
- Stroke counter
- Sand-proof
- Special designs available

GSD diaphragm and plastic liquid end ("P")

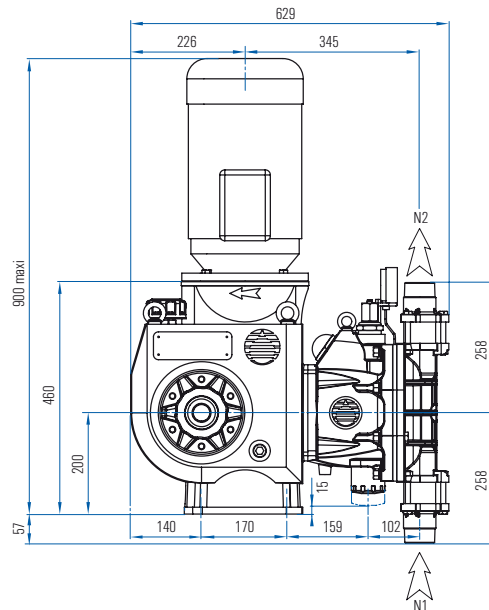
Ø Plunger (mm)	Swept volume (cm ³)	Ø Membrane (mm)	Stroke speed max. (spm) Motor speed 1500 rpm	Flow rate max. (l/h)	Pressure max. (bar)	Connections
50	98.17	145	149	807	10	1" - WV1 f
63	155.86	225	149	1254	10	1" 1/2 - WV1 f
70	192.42	225	149	1582	10	1" 1/2 - WV1 f
80	251.32	225	149	2067	10	1" 1/2 - WV1 f
90	318.08	225	120	2107	10	1" 1/2 - WV1 f
100	392.69	225	120	2657	10	1" 1/2 - WV1 f

General dimensions (in mm)

GSD diaphragm liquid end simplex configuration



N1: Suction
N2: Discharge



The general dimensions are given as an indication only.
 The dimensions given correspond to the maximum dimensions (largest liquid end, most powerful motor).

Weight and packing

Version	Net weight (*) kg	Gross weight (*) kg	Packing (mm) (L x W x H)
PRIMEROY® L simplex	220	310	1100 x 680 x 1350

(*) Approximately



A network of over 100 distributors and sales and service offices.

To find your local representative, visit our website:

www.miltonroy-europe.com

PRIMEROY® L - Ref. 160 5607 201N - 11/08

All rights reserved for modification without prior notice - SIREN 663 650 547 B - RC Evreux - Printed in France.



VERDER NV

Kontichsesteenweg 17

B-2630 Aartselaar

Belgium

TEL +32 3 877 11 12

FAX +32 3 877 05 75

MAIL info@verder.be

WEB www.verder.be