

Electronic dosing pump

LMI ROYTRONIC® series P⁺ - FastPrime™



P⁺0 series

- Fixed frequency: 120 or 240 spm
- Adjustable stroke length: 20 to 100%

P⁺1 series

- Adjustable frequency: 1 to 120 or 240 spm
- Adjustable stroke length: 20 to 100%

P⁺7 series

- Adjustable frequency: 1 to 120 or 240 spm
- Adjustable stroke length: 20 to 100%
- External control by pulses
- Stop by low level detector

P⁺8 series

- Adjustable frequency: 1 to 120 or 240 spm
- Adjustable stroke length: 20 to 100%
- External control by 4-20 mA signal
- Stop by low level detector

Main technical specifications

- Mechanically actuated diaphragm electromagnetic pump
- Maximum output: 12.1 l/h
- Maximum pressure: 17.3 bar
- Maximum temperature of pumped chemical: 50 °C
- Self priming height: 1.5 m
- Accuracy: ± 2% of adjusted output

Simple rugged construction

- Thick wall IXEF reinforced thermoplastic construction plus integrated metal-plastic structural and magnetic components resulting in vibration and shock resistance not ordinarily found in competitive products.
- Strong automotive type wiring and electrical connectors add to its construction strength.

Unique features

- The new FastPrime™ liquid ends are equipped with a bleed port.
- Clog resistant injection check valves with flexible flapper nozzle are standard.
- Stroke indicator light flashes when the pump is stroking.
- The P⁺7 and P⁺8 series allow an optional low-level float switch which connects to a new low-level connector (3-Pin) and low-level indicator light, warning when chemical level is low.



ROYTRONIC® electronic dosing pumps equipped with FastPrime™ liquid end

Wide variety of applications

- Pump heads in PVC, PVDF, PP or Acrylic and valves (ceramic or PTFE balls, Aflas® or PTFE seats) assure reliable and leak free operation in a wide variety of chemicals.
- Composite pump diaphragms are in superior Fluorofilm™.
- Better pumping efficiency due to double ball check valve.
- More material combinations for greater pump flexibility and application robustness.

Totally enclosed corrosion resistant IP65

- O-Ring sealed corrosion resistant enclosure protects the pump from harsh chemicals.
- A clear cover protects control panel from weather and chemical splashes.
- The external control connections are industrial watertight M12 (IP68).

Accessories

- The ROYTRONIC® are supplied with:
 1. Injection check valve,
 2. Foot valve,
 3. Ceramic weight,
 4. 2 m bleed tubing.
 5. The P⁺7 and P⁺8 series are delivered with an external control cable (2 m).

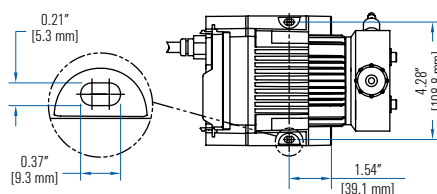
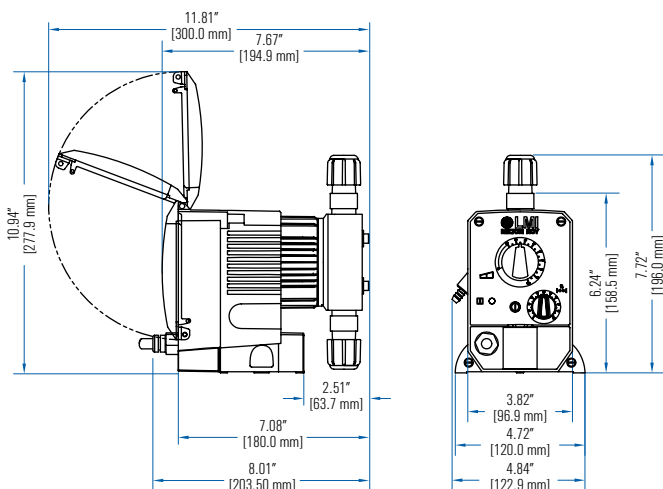
Specifications

Model	Output (l/h) max.	Pressure (bar) max.	Diaphragm size (inch ²)	Stroke capacity (ml)		Frequency (spm)	Liquid end body material					Tubing connections			
				min.	max.		min. - max.	Seat material					LDPE Inch	LDPE Metric	Reinforced PVC
						Acrylic Aflas®		PVDF Aflas®	PVDF PTFE	PP PTFE	PVC Aflas®	Acrylic Aflas®			
P*01*	0.9	17.3	0.2	0.03	0.13	120	910NX	812NX	813NX	915NX	818NX	919NX	.250"OD	3x6 mm	6x12 mm
P*04*	1.9	17.3	0.2	0.03	0.13	240	910NX	812NX	813NX	915NX	818NX	919NX	.250"OD	3x6 mm	6x12 mm
P*05*	3.8	7.6	0.4	0.05	0.26	240	920NX	822NX	823NX	925NX	828NX	929NX	.375"OD	6x8 mm	6x12 mm
P*06*	7.6	3.4	0.8	0.11	0.53	240	930NX	832NX	833NX	935NX	838NX	939NX	.375"OD	6x8 mm	6x12 mm
P*08*	12.1	1.5	0.8	0.17	0.84	240	930NX	832NX	833NX	935NX	838NX	939NX	.375"OD	6x8 mm	6x12 mm
P*11*	0.9	17.3	0.2	0.03	0.13	1-120	910NX	812NX	813NX	915NX	818NX	919NX	.250"OD	3x6 mm	6x12 mm
P*14*	1.9	17.3	0.2	0.03	0.13	1-240	910NX	812NX	813NX	915NX	818NX	919NX	.250"OD	3x6 mm	6x12 mm
P*15*	3.8	7.6	0.4	0.05	0.26	1-240	920NX	822NX	823NX	925NX	828NX	929NX	.375"OD	6x8 mm	6x12 mm
P*16*	7.6	3.4	0.8	0.11	0.53	1-240	930NX	832NX	833NX	935NX	838NX	939NX	.375"OD	6x8 mm	6x12 mm
P*18*	12.1	1.5	0.8	0.17	0.84	1-240	930NX	832NX	833NX	935NX	838NX	939NX	.375"OD	6x8 mm	6x12 mm
P*71*	0.9	17.3	0.2	0.03	0.13	1-120	910NX	812NX	813NX	915NX	818NX	919NX	.250"OD	3x6 mm	6x12 mm
P*74*	1.9	17.3	0.2	0.03	0.13	1-240	910NX	812NX	813NX	915NX	818NX	919NX	.250"OD	3x6 mm	6x12 mm
P*75*	3.8	7.6	0.4	0.05	0.26	1-240	920NX	822NX	823NX	925NX	828NX	929NX	.375"OD	6x8 mm	6x12 mm
P*76*	7.6	3.4	0.8	0.11	0.53	1-240	930NX	832NX	833NX	935NX	838NX	939NX	.375"OD	6x8 mm	6x12 mm
P*78*	12.1	1.5	0.8	0.17	0.84	1-240	930NX	832NX	833NX	935NX	838NX	939NX	.375"OD	6x8 mm	6x12 mm
P*81*	0.9	17.3	0.2	0.03	0.13	1-120	910NX	812NX	813NX	915NX	818NX	919NX	.250"OD	3x6 mm	6x12 mm
P*84*	1.9	17.3	0.2	0.03	0.13	1-240	910NX	812NX	813NX	915NX	818NX	919NX	.250"OD	3x6 mm	6x12 mm
P*85*	3.8	7.6	0.4	0.05	0.26	1-240	920NX	822NX	823NX	925NX	828NX	929NX	.375"OD	6x8 mm	6x12 mm
P*86*	7.6	3.4	0.8	0.11	0.53	1-240	930NX	832NX	833NX	935NX	838NX	939NX	.375"OD	6x8 mm	6x12 mm
P*88*	12.1	1.5	0.8	0.17	0.84	1-240	930NX	832NX	833NX	935NX	838NX	939NX	.375"OD	6x8 mm	6x12 mm

* When ordering, specify the voltage code by using one of the following numbers:

- 3 – 230 V, EEC plug
- 5 – 230 V, UK plug
- 8 – 115 V, without plug

Dimensions



The general dimensions are given as an indication only.
 The dimensions given correspond to the maximum dimensions.

Weight and packing

Version	Net weight (*) kg	Gross weight (*) kg	Packing (mm) (L x W x H)
ROYTRONIC® - FastPrime™	3.60	4.85	280 x 260 x 240

(*) Approximately



A network of over 100 distributors and sales and service offices.

To find your local representative, visit our website:

www.miltonroy-europe.com

ROYTRONIC® - Ref. 160 5019 201N - 01/08

All rights reserved for modification without prior notice - SIREN 663 650 547 B - RC Evreux - Printed in France.



VERDER NV
 Kontichsesteenweg 17
 B-2630 Aartselaar
 Belgium

TEL +32 3 877 11 12
 FAX +32 3 877 05 75
 MAIL info@verder.be
 WEB www.verder.be