

Electronic dosing pump LMI series P5



P5 series proportional

- All P5 Series dosing pumps offer the versatility of a selection for either automatic external trigger control or manual control (just plug in the external cable).
- In external trigger mode, they may connect with flowmeters with reed contact, or instrumentation with voltage free pulse output.

Main technical specifications

- Electromagnetic dry diaphragm
- Adjustable stroke frequency
- Adjustable stroke length
- Maximum output: 12 l/h
- Maximum pressure: 17.3 bar

Simple rugged construction

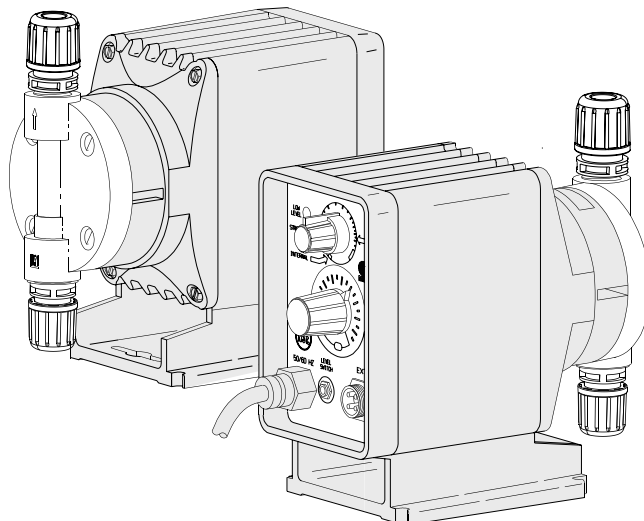
- Ideal for indoor, outdoor and OEM "in machin" applications where simplicity means increased reliability.
- Thick wall glass fiber or carbon fiber reinforced thermoplastic construction plus integrated metal-plastic structural and magnetic components result in vibration and shock resistance not ordinarily found in competitive products.
- Strong automotive type wire and electrical connectors add to its construction strength.

Unique features

- Uses LMI's unique molded long life Electromagnetic Power Unit (EPU) with electromagnetically balanced construction.
- Clog resistant injection check valves with flexible flapper nozzle are standard.
- LMI's unique 4-Function Valve or multifunction Auto-Bleed Valve are low cost options.

Wide variety of applications

- Pump head and valves in PVC, PVDF, Acrylic or 316L S.S. plus designs for high viscosity polymer.
- Ceramic balls and Aflas or PTFE seats.
- Composite pump diaphragms of the superior Fluorofilm® assure reliable and leak free operation in a wide variety of chemicals.



Electronic dosing pump LMI series P5

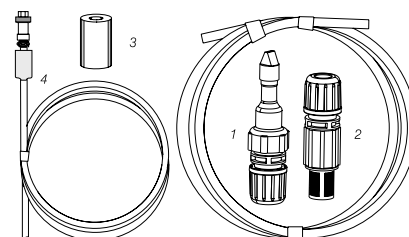
Totally enclosed corrosion resistant IP65

- O-Ring sealed corrosion resistant enclosure of glass fiber reinforced polypropylene protects the pump from harsh chemicals and tough environments.

Complete with accessories

- LMI P5 dosing pumps come complete with:
 1. Injection Check Valve,
 2. Foot Valve,
 3. Ceramic weight.
 4. external control cable.
- Most models are also available with factory tubing.

ACCESSORIES



All pumps come complete with these accessories.

Specifications

Model	Output (l/h) max.	Pressure (bar) max.	Liquifram size (inch ²)	Stroke capacity (ml)		Frequency (spm)		Liquid end body / seats material						Tubing connections	
				min.	max.	min.	max.	PVC/Aflas	PVDF/Aflas	PVDF/PTFE	Acrylic/Aflas	316L/PTFE ⁽¹⁾	High visc. ⁽²⁾	Inch	Metric
P57*	1.6	9.7	0.5	0.08	0.27	1	100	358XY	352XY	353XY	350XY	257	155HV	.250"OD	3x6 mm
P54*	2.2	17.3	0.5	0.07	0.37	1	100	358XY	352XY	353XY	350XY	257	155HV	.250"OD	3x6 mm
P55*	3.8	7.6	0.9	0.13	0.63	1	100	398XY	392XY	393XY	390XY	297	85HV	.375"OD	6x8 mm
P56*	7.6	3.5	1.8	0.25	1.27	1	100	368XY	362XY	363XY	360XY	277	75HV	.375"OD	6x8 mm
P58*	12	1.5	1.8	0.40	2.00	1	100	368XY	362XY	363XY	360XY	277	75HV	.375"OD	6x8 mm

* When ordering, specify the voltage code by using one of the following numbers:

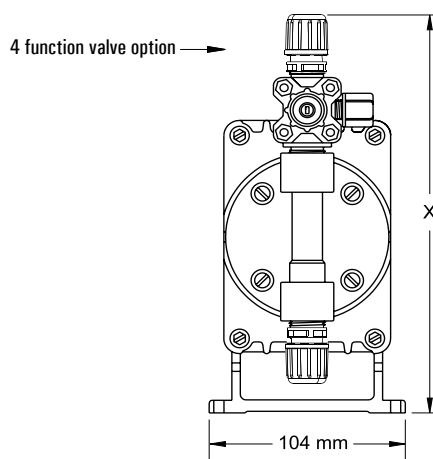
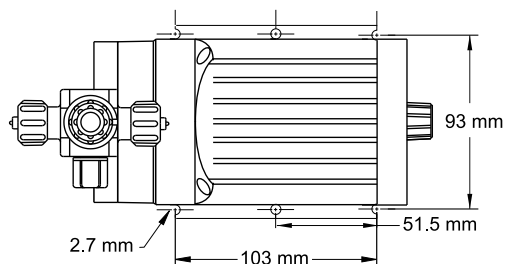
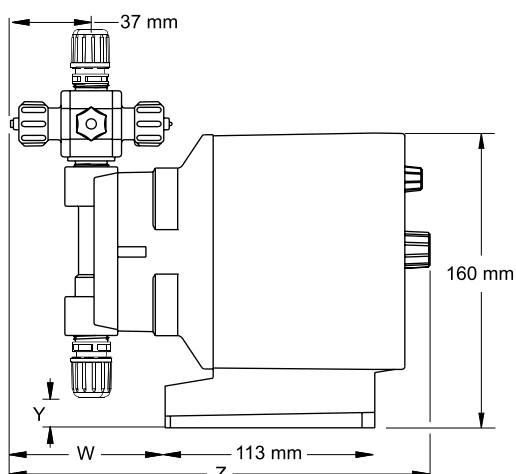
- 1 = 115 V, US plug
- 3 = 230 V, EEC plug
- 5 = 230 V, UK plug
- 7 = 230 V, CH plug
- 8 = 115 V, without plug

⁽¹⁾ 1/4" NPTm connection

⁽²⁾ .500" OD / 15x23

X	Y	Refer to liquid end chart for complete option code
	↓	
	0	Pipe thread 1/2" BSP
	2	Inch tubing
	3	Metric tubing
	4	Reinforced PVC tubing 6x12
B		Bleed 4 function valve included
N		No function valve
S		4 function valve included
T		3 function valve included

Dimensions



Dimensions	W	X	Y	Z
Pump without function valve	51	181	11	198
Pump with function valve	79	226	11	218
Pump with stainless steel head	44	171	20	191
High viscosity pump	59	205	16	206
Packing: 275 x 225 x 165 mm	Gross Weight:			3.7 kg



A network of over 100 distributors and sales and service offices.

To find your local representative, visit our website:

www.miltonroy-europe.com

LMI serie P5 - Réf. 160 5001 201N - 02/06 - Rév. G

All rights reserved for modification without prior notice - SIREN 663 650 547 B - RC Evreux - Printed in France.



VERDER NV
Kontichsesteenweg 17
B-2630 Aartselaar
Belgium

TEL +32 3 877 11 12

FAX +32 3 877 05 75

MAIL info@verder.be

WEB www.verder.be