

# Programmable electronic dosing pump LMI series B9/C9



*B9/C9 series programmable electronic dosing pumps feature highly accurate microprocessor Control, employing a clear liquid crystal display and a 4-key tactile keypad.*

## B9 series

- Maximum output: 26 l/h
- Maximum pressure: 10.3 bar

## C9 series

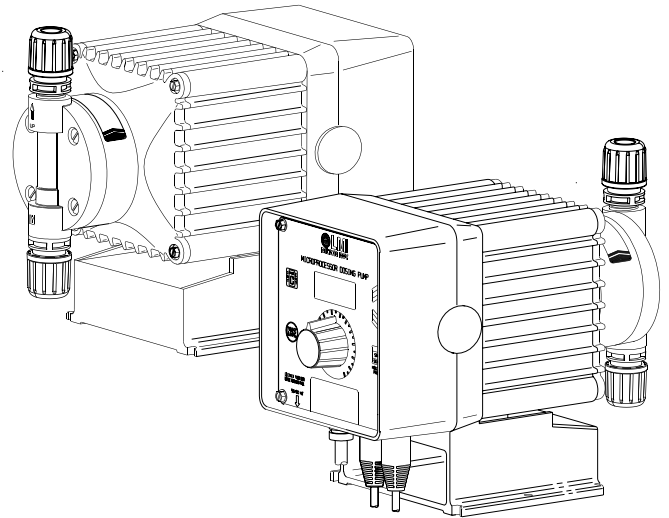
- Maximum output: 76 l/h
- Maximum pressure: 20.7 bar

## Main technical specifications

- Maximum temperature of pumped chemical: 50 °C
- Self priming height: 1.5 m
- Accuracy:  $\pm 2\%$  of adjusted output
- Adjustable stroke length: 0 to 100%  
Recommended minimum: 10%
- **Adjustable pressure capacity**  
An LMI exclusive reducing pump noise, shock, vibration, and wear, prolonging pump life.
- **Manual/External mode select**  
The manual stroke rate is adjustable from 1 stroke per hour to 100 strokes per minute.  
Stroke length adjustment from 10 to 100%.  
On-Off external trigger control.
- **Externally triggerable**  
By voltage free switch, transistor, opto-coupler or hall effect sensor.
  - Divide incoming pulses from 1 to 999.
  - Multiply incoming pulses 1 to 999.
  - Batch accumulate to 999 strokes.
- **4-20 mA slope adjustable response**  
Fully programmable stroke frequency vs. input signal: 0-100 strokes/min vs. 0-20 mA.
- **Flow monitoring and alarm programmable**  
In conjunction with LMI's Digi-Pulse™ Flow Monitor (FM-PRO-9), the pumps self-monitor output and provide an alarm signal in case of fault.

## Simple rugged construction

- Thick wall glass fiber or carbon fiber reinforced thermoplastic construction plus integrated metal-plastic structural and magnetic components result in vibration and shock resistance not ordinarily found in competitive products.
- Strong automotive type wire and electrical connectors add to its construction strength.



*Programmable electronic dosing pump LMI series B9/C9*

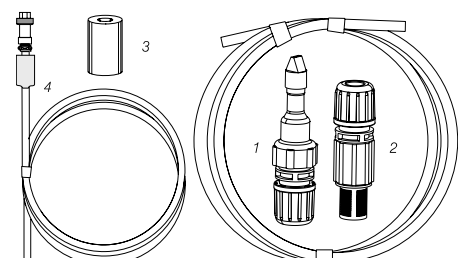
## Totally enclosed corrosion resistant IP65

- O-Ring sealed corrosion resistant enclosure of glass fiber reinforced polypropylene protects the pump from harsh chemicals and tough environments.

## Complete with accessories

- LMI B9 / C9 dosing pumps come complete with:
  1. injection check valve,
  2. foot valve,
  3. ceramic weight,
  4. external pulse control cable.
- Most models are also available with factory tubing.

### ACCESSORIES



*All pumps come complete with these accessories.*

## Specifications

Model	Output (l/h) max.	Pressure (bar) max.	Liquifram size (Inch <sup>2</sup> )	Stroke capacity (ml)		Frequency (str./h)		Liquid end body / Seats material						Tubing connections	
				min.	max.	min.	max.	PVC/Aflas	PVDF/Aflas	PVDF/PTFE	Acrylic/Aflas	316L/PTFE <sup>(1)</sup>	High visc. <sup>(2)</sup>	Inch	Metric
B91*	6.0	10.3	0.9	0.10	1.00	1	6000	398XY	392XY	393XY	390XY	297	85HV	.375"OD	6x8 mm
B92*	9.5	6.9	0.9	0.16	1.58	1	6000	398XY	392XY	393XY	390XY	297	85HV	.375"OD	6x8 mm
B93*	17	3.4	1.8	0.28	2.83	1	6000	368XY	362XY	363XY	360XY	277	75HV	.375"OD	6x8 mm
B94*	26	2.0	3.0	0.44	4.42	1	6000	318XY	312XY	313XY	310XY	27	25HV	.500"OD	9x12 mm
C90*	4.9	20.7	0.9	0.08	0.80	1	6000	94S <sup>(3)</sup>	-	-	-	297	-	1/4"NPTm	-
C91*	9.5	10.3	1.8	0.16	1.60	1	6000	368XY	362XY	363XY	360XY	277	75HV	.375"OD	6x8 mm
C92*	15	6.9	1.8	0.25	2.52	1	6000	368XY	362XY	363XY	360XY	277	75HV	.375"OD	6x8 mm
C93*	30.4	4.1	3.0	0.51	5.05	1	6000	318XY	312XY	313XY	310XY	27	25HV	.500"OD	9x12 mm
C94*	76	1.7	6.0	1.26	12.60	1	6000	35T/M <sup>(4)</sup>	-	32/M	30/M <sup>(3)</sup>	37	-	.500"OD	9x12 mm

\* When ordering, specify the voltage code by using one of the following numbers:

- 1 = 115 V, US plug
- 3 = 230 V, EEC plug
- 5 = 230 V, UK plug
- 7 = 230 V, CH plug
- 8 = 115 V, without plug

<sup>(1)</sup> 1/4" NPTm connection for 277 and 297 - 1/2" NPTm for 27 and 37

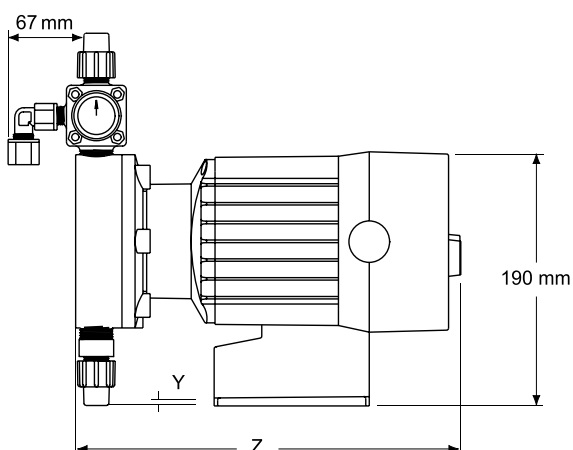
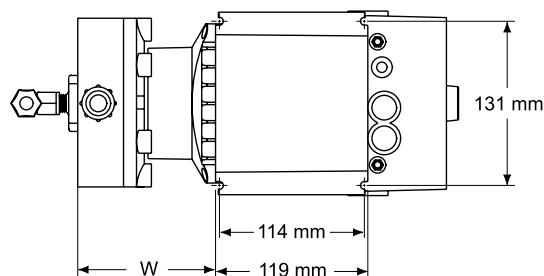
<sup>(2)</sup> .500" OD / 15x23

<sup>(3)</sup> Seats in PTFE

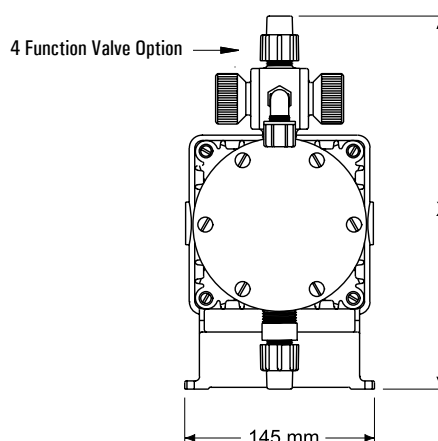
<sup>(4)</sup> PP/PTFE

X	Y	Refer to liquid end chart for complete option code
	↓	
	0	Pipe thread 1/2" BSP
	2	Inch tubing
	3	Metric tubing
	4	Reinforced PVC tubing 6x12
B		Bleed 4 function valve included
N		No function valve
S		4 function valve included
T		3 function valve included

## Dimensions



Dimensions	W	X	Y	Z
Pump without function valve	82.5	216	16.5	272
Pump with function valve	115.5	259	16.5	305
Pump with large head (C74)	107	244	0	295
High viscosity pump	90	241	16.5	279
Packings: B = 325 x 235 x 290 mm C = 380 x 235 x 290 mm	Gross Weights: B = 6.9 kg C = 8.7 kg			



A network of over 100 distributors and sales and service offices.

To find your local representative, visit our website:

[www.miltonroy-europe.com](http://www.miltonroy-europe.com)

LMI series B9/C9 - Ref.: 160 5008 201 N - 01/06 - Rev. G

All rights reserved for modification without prior notice - SIREN 663 650 547 B - RC Evreux - Printed in France.



VERDER NV  
 Kontichsesteenweg 17  
 B-2630 Aartselaar  
 Belgium

TEL +32 3 877 11 12

FAX +32 3 877 05 75

MAIL [info@verder.be](mailto:info@verder.be)

WEB [www.verder.be](http://www.verder.be)