

Programmable electronic dosing pump LMI series AA9



AA9 Series Programmable Electronic dosing pumps feature highly accurate Microprocessor Control, employing a Clear Liquid Crystal Display and a 4-Key Tactile Keypad.

AA9 series

- Maximum output: 7.6 l/h
- Maximum pressure: 17.3 bar

Main technical specifications

- Maximum temperature of pumped chemical: 50 °C
- Self priming height: 1.5 m
- Accuracy: $\pm 2\%$ of adjusted output
- Adjustable stroke length: 0 to 100%
Recommended minimum: 20% for AA94x - AA95x - AA96x
30% for AA97x
- **Adjustable pressure capacity**
An LMI exclusive reducing pump noise, shock, vibration, and wear, prolonging pump life.
- **Manual/External mode select**
The manual stroke rate is adjustable from 1 stroke/hour to 100 strokes/minute.
Stroke length adjustment from 20 to 100%.
On-Off external trigger control.
- **Externally triggerable**
By voltage free switch, transistor, opto-coupler or hall effect sensor.
 - Divide incoming pulses from 1 to 999.
 - Multiply incoming pulses 1 to 999.
 - Batch accumulate to 999 strokes.
- **4-20 mA slope adjustable response**
Fully programmable stroke frequency vs. input signal:
0-100 spm vs. 0-20 mA.
- **Flow monitoring and alarm programmable**
In conjunction with LMI's Digi-Pulse™ Flow Monitor (FM-PRO-9), the pumps self-monitor output and provide an alarm signal in case of fault.

Simple rugged construction

- Thick wall glass fiber or carbon fiber reinforced thermoplastic construction plus integrated metal-plastic structural and magnetic components result in vibration and shock resistance not ordinarily found in competitive products.
- Strong automotive type wire and electrical connectors add to its construction strength.



Programmable electronic dosing pump LMI series AA9

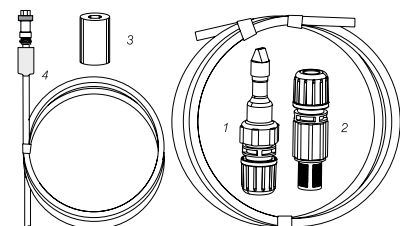
Totally enclosed corrosion resistant IP65

- O-Ring sealed corrosion resistant enclosure of glass fiber reinforced polypropylene protects the pump from harsh chemicals and tough environments.
- A clear cover protects control panel from chemical splashes.

Complete with accessories

- LMI AA9 dosing pumps come complete with:
 1. injection check valve,
 2. foot valve,
 3. ceramic weight,
 4. external pulse control cable.
- Most models are also available with factory tubing.

ACCESSORIES



All pumps come complete with these accessories.

Specifications

Model	Output (l/h) max.	Pressure (bar) max.	Liquifram size (inch ²)	Stroke capacity (ml)		Frequency (spm)		Liquid end body / Seats material						Tubing connections	
				min.	max.	min.	max.	PVC/Aflas	PVDF/Aflas	PVDF/PTFE	Acrylic/Aflas	316L/PTFE ⁽¹⁾	High visc. ⁽²⁾	Inch	Metric
AA97*	1.6	9.7	0.5	0.08	0.26	0.017	100	358XY	352XY	353XY	350XY	257	155HV	.250"OD	3x6 mm
AA94*	2.2	17.3	0.5	0.07	0.37	0.017	100	358XY	352XY	353XY	350XY	257	155HV	.250"OD	3x6 mm
AA95*	3.8	7.6	0.9	0.13	0.63	0.017	100	398XY	392XY	393XY	390XY	297	85HV	.375"OD	6x8 mm
AA96*	7.6	3.5	1.8	0.25	1.26	0.017	100	368XY	362XY	363XY	360XY	277	75HV	.375"OD	6x8 mm

* When ordering, specify the voltage code by using one of the following numbers:

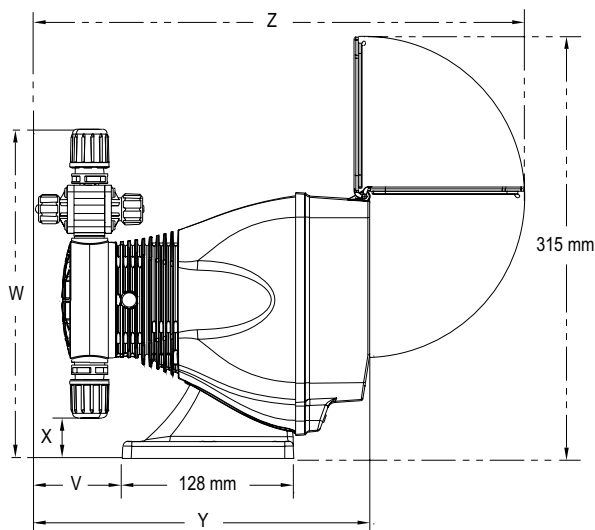
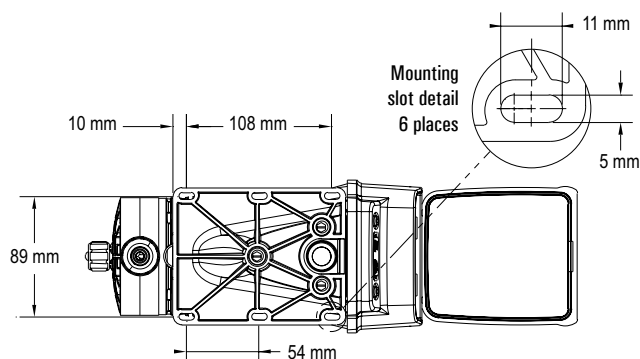
- 3 = 230 V, EEC plug
- 5 = 230 V, UK plug
- 7 = 230 V, CH plug
- 8 = 115 V, without plug

⁽¹⁾ 1/4" NPTm connection

⁽²⁾ .500"OD / 15x23

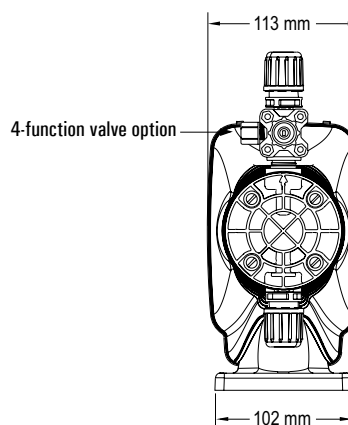
X	Y	Refer to liquid end chart for complete option code
	↓	
	0	Pipe thread 1/2" BSP
	2	Inch tubing
	3	Metric tubing
	4	Reinforced PVC tubing 6x12
B		Bleed 4-function valve included
N		No function valve
S		4-function valve included
T		3-function valve included

Dimensions



Dimensions *	V	W	X	Y	Z
Pump without function valve	52	213	18	239	352
Pump with function valve	72	250	18	259	372
Pump with stainless steel head	30	191	41	227	340
High viscosity pump	46	220	35	243	356
Packing: 325 x 235 x 290 mm	Gross weight: 4.5 kg				

* Dimensions shown are maximum for largest liquid end available. These dimensions vary depending on the liquid end selected.



A network of over 100 distributors and sales and service offices.

To find your local representative, visit our website:

www.miltonroy-europe.com

LMI series AA9 - Ref.: 160 5007 201 N - 01/06 - Rev. H

All rights reserved for modification without prior notice - SIREN 663 650 547 B - RC Evreux - Printed in France.



VERDER NV
Kontichsesteenweg 17
B-2630 Aartselaar
Belgium

TEL +32 3 877 11 12
FAX +32 3 877 05 75
MAIL info@verder.be
WEB www.verder.be