

Electronic dosing pump LMI series AA7



AA7 series

- Maximum output: 7.6 l/h
- Maximum pressure: 17.3 bar

Main technical specifications

- Mechanically actuated diaphragm electromagnetic pump
- Maximum temperature of pumped chemical: 50 °C
- Self priming height: 1.5 m
- Accuracy: $\pm 2\%$ of adjusted output
- Adjustable stroke frequency: 1 to 100 spm
- Adjustable stroke length: 0 to 100%
Recommended minimum:
30% for AA77x - AA78x
20% for AA74x - AA75x - AA76x
- External proportional control: voltage free contact closure or open collector from water meter or pulse generator
- Optional level switch
- Optional 4-20 mA control
- Optional pulse multiplier or divider

Simple rugged construction

- Ideal for indoor, outdoor and OEM 'in machine' applications where simplicity means increased reliability.
- Thick wall glass fiber or carbon fiber reinforced thermoplastic construction plus integrated metal-plastic structural and magnetic components result in vibration and shock resistance not ordinarily found in competitive products.
- Strong automotive type wire and electrical connectors add to its construction strength.

Unique features

- Uses LMI's unique molded long life Electromagnetic Power Unit (EPU) with electromagnetically balanced construction.
- Clog resistant injection check valves with flexible flapper nozzle are standard.
- LMI's unique 4-Function Valve or multifunction Auto-Bleed Valve are low cost options.

Wide variety of applications

- Pump head and valves in PVC, PVDF, Acrylic or 316L S.S. plus designs for high viscosity polymer.
- Ceramic balls and Aflas or PTFE seats.
- Composite pump diaphragms of the superior Fluorofilm® assure reliable and leak free operation in a wide variety of chemicals.



Electronic dosing pump LMI series AA7

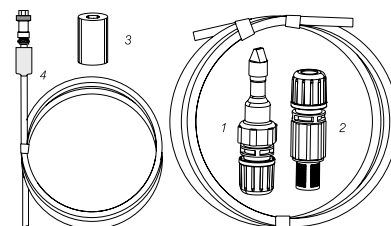
Totally enclosed corrosion resistant IP65

- O-Ring sealed corrosion resistant enclosure of glass fiber reinforced polypropylene protects the pump from harsh chemicals and tough environments.
- A clear cover protects control panel from chemical splashes.

Complete with accessories

- LMI AA7 dosing pumps come complete with:
 1. injection check valve,
 2. foot valve,
 3. ceramic weight,
 4. external control cable.
- Most models are also available with factory tubing.

ACCESSORIES



All pumps come complete with these accessories.

Specifications

Model	Output (l/h) max.	Pressure (bar) max.	Liquifram size (inch ²)	Stroke capacity (ml)		Frequency (spm)		Liquid end body / Seats material						Tubing connections	
				min.	max.	min.	max.	PVC/Aflas	PVDF/Aflas	PVDF/PTFE	Acrylic/Aflas	316L/PTFE ⁽¹⁾	High visc. ⁽²⁾	Inch	Metric
AA77*	1.6	9.7	0.5	0.08	0.26	5	100	358XY	352XY	353XY	350XY	257	155HV	.250"OD	3x6 mm
AA74*	2.2	17.3	0.5	0.07	0.37	5	100	358XY	352XY	353XY	350XY	257	155HV	.250"OD	3x6 mm
AA78*	2.8	5.5	0.9	0.14	0.47	5	100	398XY	392XY	393XY	390XY	297	85HV	.375"OD	6x8 mm
AA75*	3.8	7.6	0.9	0.13	0.63	5	100	398XY	392XY	393XY	390XY	297	85HV	.375"OD	6x8 mm
AA76*	7.6	3.5	1.8	0.25	1.26	5	100	368XY	362XY	363XY	360XY	277	75HV	.375"OD	6x8 mm

* When ordering, specify the voltage code by using one of the following numbers:

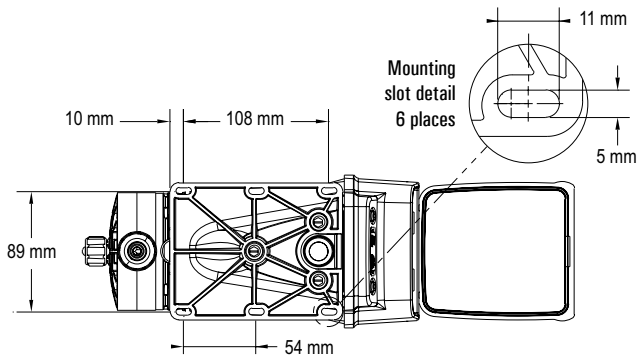
- 3 = 230 V, EEC plug
- 5 = 230 V, UK plug
- 7 = 230 V, CH plug
- 8 = 115 V, without plug

⁽¹⁾ 1/4" NPTm connection

⁽²⁾ .500" OD / 15x23

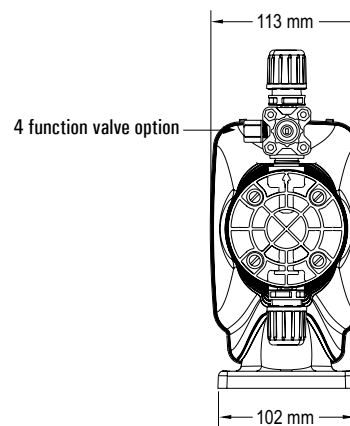
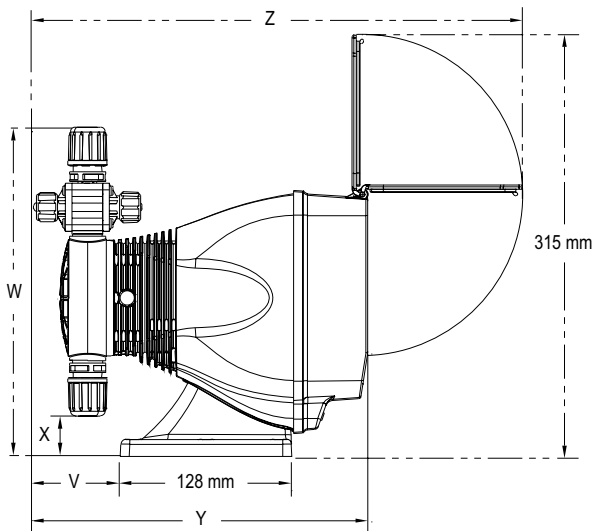
X	Y	Refer to liquid end chart for complete option code
↓	0	Pipe thread 1/2" BSP
	2	Inch tubing
	3	Metric tubing
	4	Reinforced PVC tubing 6x12
B		Bleed 4 function valve included
N		No function valve
S		4 function valve included
T		3 function valve included

Dimensions



Dimensions *	V	W	X	Y	Z
Pump without function valve	52	213	18	239	352
Pump with function valve	72	250	18	259	372
Pump with stainless steel head	30	191	41	227	340
High viscosity pump	46	220	35	243	356
Packing: 325 x 235 x 290 mm	Gross weight: 4.5 kg				

* Dimensions shown are maximum for largest liquid end available.
 These dimensions vary depending on the liquid end selected.



A network of over 100 distributors and sales and service offices.

To find your local representative, visit our website:

www.miltonroy-europe.com

LMI series AA7 - Ref.: 160 5004 201 N - 01/06 - Rev. G

All rights reserved for modification without prior notice - SIREN 663 650 547 B - RC Evreux - Printed in France.



VERDER NV
 Kontichsesteenweg 17
 B-2630 Aartselaar
 Belgium

TEL +32 3 877 11 12

FAX +32 3 877 05 75

MAIL info@verder.be

WEB www.verder.be