

2 types of plug-and-play dosing solutions:

- Frame-mounted pump(s)
- Chemical injection package with storage tank

Compact, modular and self-contained metering solutions. DosaSkid are ideal for preparing, storing and injecting chemical solutions

Tubing

- 316L stainless steel or C-PVC

Storage tank

- 316L stainless steel or HDPE



DOSAPRO Pumps

DosaSkid®

Turnkey and ready-to-use device

- **A turnkey and ready-to-use device manufactured by an expert in metering technology**
- **Modularity and Adaptability to process developments**
- **Reliability and Safety**

TYPICAL APPLICATIONS

- **Boiler water treatment:** treatment of make up, boiler feed and waste waters (injection of limewash, corrosion inhibitor, biocide, antifoam, scale inhibitor, etc.)
- **Industrial water treatment:** coagulation / flocculation (injection of ferric chloride, aluminium sulphate, WAC, etc.), pH regulation (injection of acids and alkalis)
- **Refinerie:** injection of additives into fuels from refineries, conditioning of drinking water in utilities (injection of sodium hypochlorite)
- **Desalination:** cleaning and maintenance of reverse osmosis membranes (injection of hydrochloric acid, sodium hydroxyde, anti-scaling agents and anti-fouling agents)
- **Surface treatment:** pickling (injection of hydrochloric, sulphuric, nitric, phosphoric or hydrofluoric acid), neutralisation (injection of acids or alkalis), waste treatment (injection of sodium bisulphate, bleach, sodium hydroxide, etc.)
- **Cleaning in place** (injection of nitric acid in food industry for example)

FEATURES AND BENEFITS

- **Easy and fast installation:** only the hydraulic and electrical connections need to be made
- **Modularity:** 1, 2 or 3 dosing modules with or without tank; accumulation of DosaSkid® units possible; 2 piping and tank materials available
- **Process adaptability:** interchangeable pumps for easy adaptation to process changes
- **Reliability and Safety:** trade practices and NPSH respected; risks associated with piping connection errors avoided; metering equipment and piping protected
- **Simple, rapid maintenance:** easy access to components; modules 95 % identical
- **A single supplier ensures proper installation operation:** time savings (design, diagrams, negotiation, administrative operations), costs controlled
- **Recognised know-how:** pumps and accessories included in lists of approved suppliers to the largest companies
- **Compact**
- **ATEX zone 2** upon request

Technical features

Dosing module

- Tubing: 316L stainless steel or C-PVC
- Connections and tubing: OD 1/2"
- Suction line comprising for each pump:
 - > 1 isolating valve
 - > 1 Y-filter: protection and improvement of dosing pump lifespans
 - > 1 battery limit inlet connection
- Suction connection: connection of the suction line of the modules
- Discharge line comprising for each pump:
 - > 1 safety valve: protection of piping and dosing pumps
 - > 1 isolating valve: simplified maintenance without production stoppage
 - > 1 pulsation dampener: smoothing of the injection flow and cavitation prevention
 - > 1 manometer with manifold: operating pressure measurement and display of pulsation damper efficiency
 - > 1 back-pressure valve if required by the service pressure: cavitation prevention
- Accessories: characteristics determined based on the application

Recommended dosing pumps

- **Flow rate:** up to 400 l/h (standard)
- **Maximum permissible pressure:** up to 64 barg (standard)
- **Electric motor-driven pumps:** **GTMM** (mechanically actuated diaphragm), **mROY[®] XA and XB** (hydraulically actuated diaphragm) and **MILROYAL[®] D** (plunger or hydraulically actuated diaphragm). For further details, refer to the technical data sheets of each pump
- **Liquid ends (according to models):** 316L S. S., C-PVC, PVDF, PP, slurries. Other materials upon request
- Installation of frequency inverters and actuators possible

Storage tank module with inspection hatch

316L S.S.

- 4 sizes: 200, 500, 1,000 and 1,500 litres
- Tubing: 316L stainless steel
- Filling: Ø 1" NPT
- Drain: Ø 1/2" NPT female with isolating valve
- Tank with sight flow indicator

HDPE

- 5 sizes: 60, 120, 250, 500 and 1,000 litres
- Tubing: 316L stainless steel or C-PVC
- Excellent resistance to corrosive chemicals, treated for UV protection
- Moulded graduation scale up to 500 litres
- Filling: Ø 140 mm for 60 to 500-litre tanks / 185 mm for 1,000-litre tank
- Drain: Ø 1/2" Gas female
- Max. temperature: +60°C (precautions for corrosive products)

Installation and test

- Connections (inlet/outlet): 1/2" NPT female
- Leak tested assembly and connection of pump(s) and accessories
- Indoor or outdoor installation, not exposed to direct sunlight, for the plastic version

Options

- Suitable for use in an explosive atmosphere area: ATEX zone 2 (gas)
- Other configurations upon request

Options for dosing module:

- Drip pan (304L S.S.): for the safety of the environment and users
- Back pressure valve (standard if pressure < 5 bar): siphonage prevention
- Calibration pot: precise pump calibration according to real operating conditions
- ON/OFF control box with emergency stop per pump module: simplified control
- Flange connections: perfect adaptation within the installation

Options for storage tank module:

- High speed electric mixer: homogenisation, dissolving, preparation of reagents, neutralisation
- ON/OFF control box with emergency stop for mixer: simplified control
- Level detector (low and high): optimum flow management, securing of the process
- Connection to dosing module: turnkey solution

Codification | Standard & options

Frame-mounted pump version

MPP	Frame-mounted pump (including accessories, dosing pump(s) to be coded separately)									
	Number of dosing modules									
	1	1 module 1 pump								
	Tubing material									
	P	C-PVC tubing								
	S	316L stainless steel tubing								
	/	OPTIONS								
	Frame option: Drip pan									
	—	Without drip pan								
	RE	With 1 drip pan per pump module								
	Dosing module option: Back pressure valve									
	—	Without back pressure valve on discharge line								
	R	With back pressure valve on discharge line - Mandatory if P < 5 bar								
	Dosing module option: Control									
	—	Without control box								
	BC	ON/OFF control box with emergency stop per pump module								
	Dosing module option: Calibration pot									
	—	Without calibration pot								
	P1	1 calibration pot per pump module. Stainless steel if stainless steel tubing/PVC if C-PVC tubing. Volume determined automatically depending on associated dosing pump flow rate								
	Connection option: Inlet and outlet flanges									
	—	Standard inlet and outlet connections: 1/2" NPT female								
	R3	Inlet and outlet flange connection - Rating to be defined								
	Dosing module option: Explosive atmosphere area (ATEX)									
	—	Non-explosive atmosphere area								
	AT	Suitable for use in an explosive atmosphere area: ATEX zone 2 (gas)								
MPP	1	S	/	RE	R	BC	P1	R3	—	AT

- For more than one dosing module, add up the modules

Chemical injection package with storage tank version

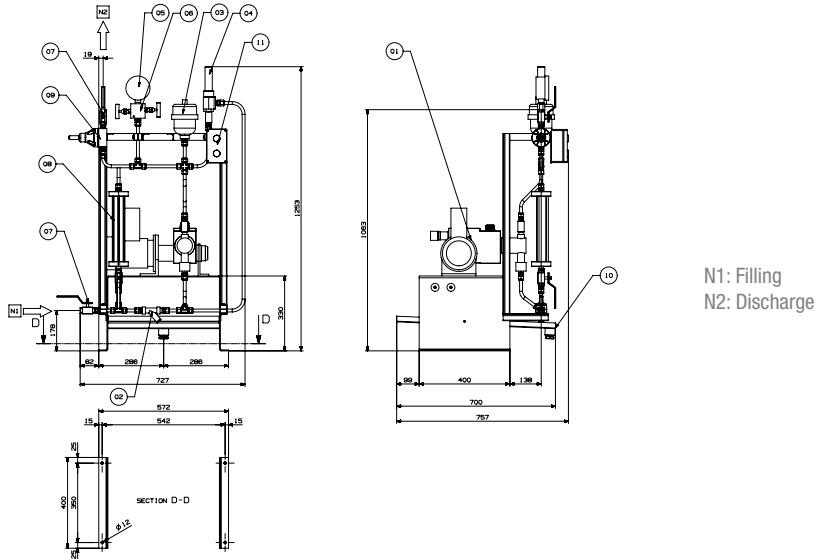
STORAGE TANK MODULE									
MT	Module with 1 closed storage tank with inspection hatch								
Storage tank material									
P	HDPE tank								
S	316L stainless steel tank with sight flow indicator								
Storage tank volume									
				HDPE tank	316L S.S. tank				
60	60 litres			x	NA				
120	120 litres			x	NA				
200	200 litres			NA	x				
250	250 litres			x	NA				
500	500 litres			x	x				
1,000	1,000 litres			x	x				
1,500	1,500 litres			NA	x				
/ OPTIONS									
Tank module option: Level detector									
									Without level detector
NB									With low level detector
NH									With high level detector
NB	NH								With low and high level detectors
Tank module option: Mixer									
									Without mixer
VDA									With 1 tank-mounted high-speed mixer (1,500 rpm)
Tank module option: Mixer control									
									Without control box
BC									ON/OFF control box with emergency stop for Mixer option only
Tank module option: Hose for connection to pump module(s)									
									Without connecting hose
FP1									Hose for connection to C-PVC tubing/to 1 module
FP2									Hose for connection to C-PVC tubing/to 2 or more modules
FS1									Hose for connection to 316L S.S. tubing/to 1 module
FS2									Hose for connection to 316L S.S. tubing/to 2 or more modules
MT	P	120	/	NB		VDA	BC		FS2

DOSING MODULE (TANK TO BE CODED SEPARATELY - SEE CODING ABOVE)									
MPC	Dosing unit for mounting with tank (including accessories, dosing pump(s) to be coded separately)								
Number of dosing modules									
1	1 module 1 pump								
2	2 modules 1 pump								
3	3 modules 1 pump								
Tubing material									
				HDPE tank	316L S.S. tank				
P	C-PVC tubing			x	NA				
S	316L stainless steel tubing			x	x				
/ OPTIONS									
Frame option: Drip pan									
									Without drip pan
RE									With 1 drip pan per pump module
Dosing module option: Back pressure valve									
									Without back pressure valve on discharge line
R									With back pressure valve on discharge line - Mandatory if P < 5 bar
Dosing module option: Control									
									Without control box
BC									ON/OFF control box with emergency stop per pump module
Dosing module option: Calibration pot									
									Without calibration pot
P1									1 calibration pot per pump module. Stainless steel if stainless steel tubing/PVC if C-PVC tubing. Volume determined automatically depending on associated dosing pump flow rate
Connection option: Outlet flange									
									Standard outlet connection: 1/2" NPT female
R3									Outlet flange connection - Rating to be defined
Dosing module option: Explosive atmosphere area (ATEX)									
									Non-explosive atmosphere area
AT									Suitable for use in an explosive atmosphere area: ATEX zone 2 (gas)
MPC	2	S	/			BC	P1	R3	

Dimensions

Dimensions (in mm)

- Frame-mounted pump - 1 dosing module (316L S.S.)

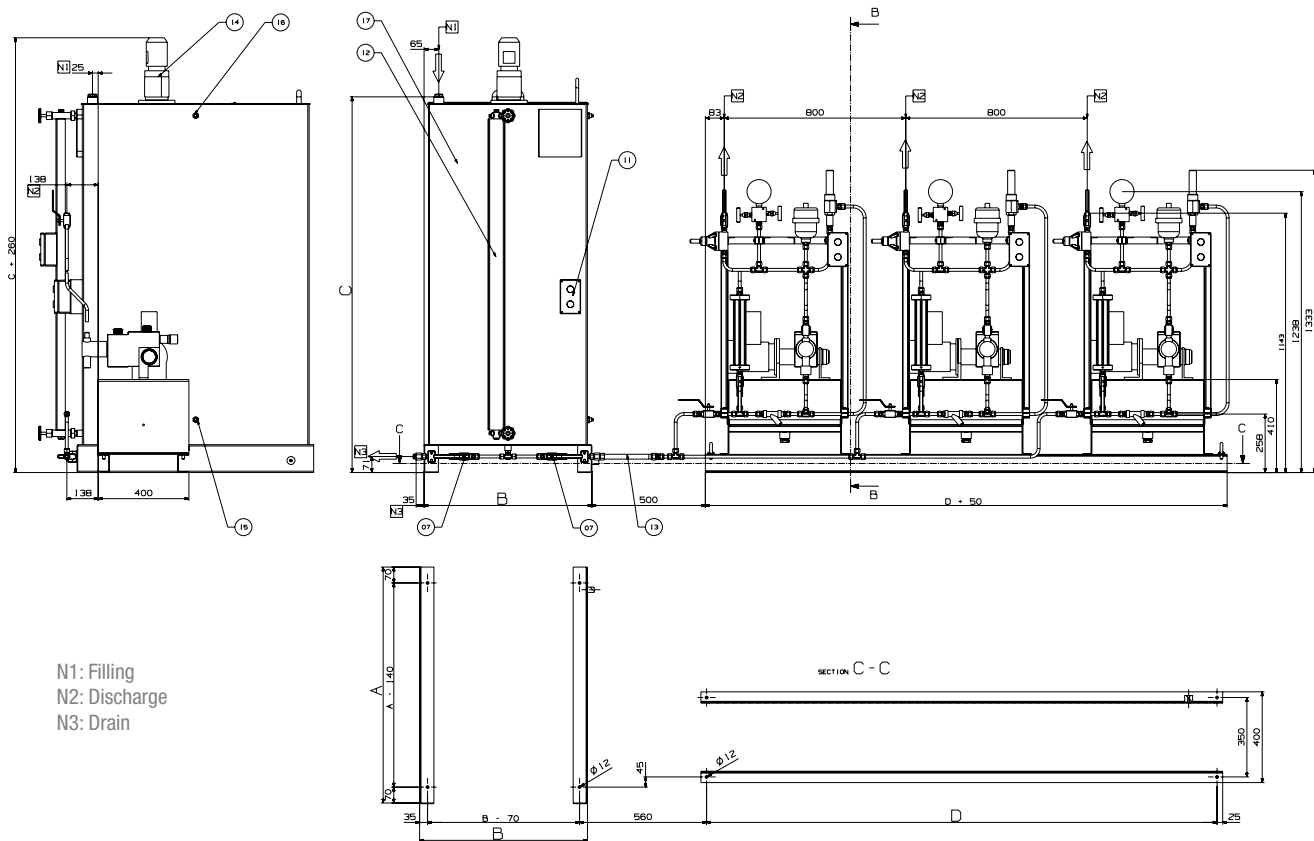


ITEM	DESCRIPTION
Standard arrangement	
1	Dosing pump
2	Y-filter
3	Pulsation dampener
4	Safety valve
5	Manometer
6	2-way manifold
7	Isolating valve
12	Sight flow indicator (316L S.S. tank only)
17	Storage tank (chemical injection package only)
Options	
8	Calibration pot
9	Back pressure valve (standard if P < 5 bar)
10	Drip pan
11	ON/OFF control box
13	Connecting hose
14	Electric mixer
15	Low level detector
16	High level detector

STORAGE TANK MODULE	A (mm)	B (mm)	C (mm)	NET WEIGHT (excluding options) (kg) (*)
316L S.S. version				
200 litres	490	490	1,156	66
500 litres	790	790	1,156	116
1,000 litres	1,040	740	1,656	173
1,500 litres	1,040	1,040	1,656	209
HDPE version				
60 litres	252	252	520	11
120 litres	252	252	865	12.5
250 litres	315	315	1,100	19
500 litres	431	431	1,220	33
1,000 litres	578	578	1,300	53

(*) Approximately

• Chemical injection package - 3 dosing modules (316L S.S.)



DOSING MODULE	D (mm)	NET WEIGHT (excluding pumps and options) (kg) (*)
1 dosing module	—	45
2 dosing modules	1 450	108
3 dosing modules	2 250	160

(*) Approximately

MILTON ROY EUROPE | INNOVATIVE SUSTAINABILITY TOGETHER

An outstanding team of engineers and technicians:

- Guides you in selecting the turnkey solution that best suits your needs
- Provides you personalized project management
- Advises you on the optimum installation of your equipment
- Consults with your specialists to develop specific products and anticipate your future requirements



VERDER NV
Kontichsesteenweg 17
B-2630 Aartselaar
Belgium

TEL +32 3 877 11 12
FAX +32 3 877 05 75
MAIL info@verder.be
WEB www.verder.be

A network of over 100 distributors and sales and service offices.
To find your local representative, visit our website:
www.miltonroy-europe.com

DOSASKID - Ref. 160 8401 101N - 09/11
All rights reserved for modification without prior notice - Picture for illustration purposes only

Conception | mad'line | 02 35 50 04 04 | www.madline.fr | madline@madline.fr

