

## 28530 Series Stainless Steel Pedestal Pump

### Features

- Self primes from dry up to 4.5 metres
- Flows up to 365 litres per minute
- Pressure up to 3.0 bar
- Handles hard or soft solids - max. 13mm dia
- Tolerates abrasive wear - replacable wearplate
- Non pulsating flow, proportional to speed
- Handles viscosities up to 50,000 centiPoise
- Minimal shear to thixotropic fluids
- Easy to service and maintain



### Typical Applications

- Acids and alkalis, compounds, copper sulphate, methyls, alcohols.
- Industrial chemicals, resins, oils, fatty acids, brine.
- Detergents, soaps, hydrogen peroxide.
- Paints, dyes, inks, varnishes, laquers, solvents.
- Transfer, filling, recirculation and agitation, spillage return, spraying, coating, filtration.
- Viscous, shear-sensitive fluids, small hard and soft solids in suspension.

### Specifications

**Seal** : Carbon / Ceramic mechanical face seal

**Optional:**

- Tungsten Carbide / Ceramic hard faced mechanical seal
- Nitrile Lip seal on shaft sleeve
- Carbon / Ceramic flushed seal
- Tungsten Carbide / Ceramic hard faced flushed seal

**Seal Elastomer** : Nitrile or Viton

**Pump Head** : Stainless steel 316, as-cast exterior finish

**End Cover** : Stainless steel 316 grade

**Shaft** : Stainless steel 316 grade

**Bearings** : Greased ball bearings

**Bearing Housing** : Epoxy coated cast iron

**Ports** : 2" BSP external thread to BS21 (DIN2999)

**Weight** : 14.5kg

### Model Range


Pressure options	Medium - Max 2.5 bar				High - Max 3.0 bar				
	Elastomer option	3A Neoprene	E.P.D.M.	Nitrile	Viton®	3A Neoprene	E.P.D.M.	Nitrile	Viton®
Temperature range	4°C to 65°C	0°C to 120°C	-5°C to 90°C	10°C to 90°C	4°C to 65°C	0°C to 120°C	-5°C to 90°C	10°C to 90°C	
<b>Mechanical Seal Options</b>									
Carbon/Ceramic	28530-2115	28530-2112			28530-2125	28530-2122			
Tungsten Carbide/Ceramic hard faced	28530-2215				28530-2225				
<b>Lip seal</b>									
<b>Flushed Mechanical Seal</b>									
Tungsten Carbide/Ceramic hard faced	28530-2715								
Carbon/Ceramic	28530-2915								

For models not listed above, consult distributor or factory


Note : it is not recommended to start the pump at extremes of the temperature range, impeller damage may occur

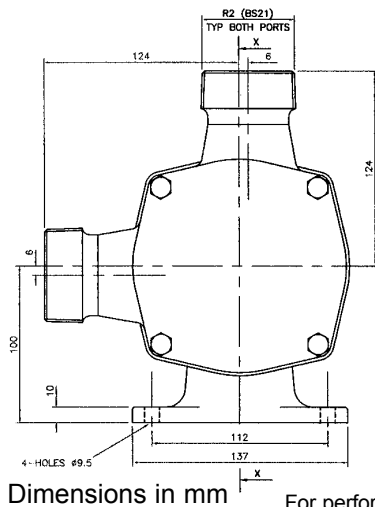
For Installation, Operating, Maintenance and Safety Instructions refer to form 43001-0543

**⚠ WARNING** Explosion hazard. Do not pump gasoline, solvents, thinners or other flammable liquids. To do so can cause an explosion resulting in injury or death.

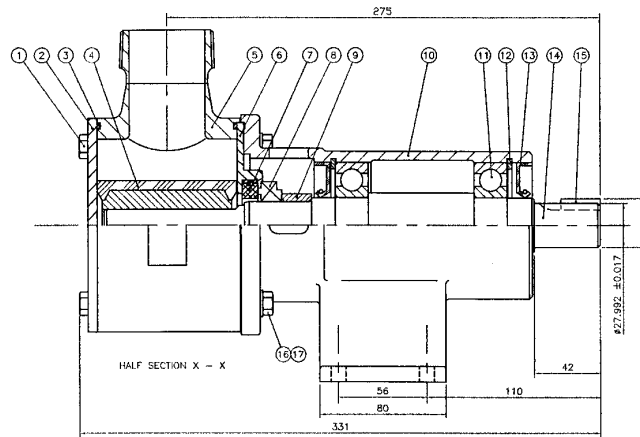


**⚠ WARNING** Injury hazard. Exposed pulleys and belts can cause injury. Install shield around pulleys and belts. Stay clear while machinery is operating.

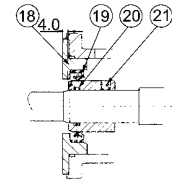




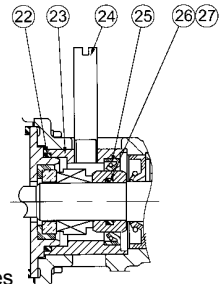
Dimensions in mm



### 28530 Series



Lip Seal



Flushed Seal

For performance data refer to the 370 size flexible impeller pump performance curves

### Parts List

Key	Description	Qty	Part Number
1	Screw	4	X3001-207F
2	Endcover	1	28505-0010
3	O'Ring *	2	See right
4	Impeller*	1	See right
5	Body	1	28504-2002
6	Wearplate	1	28536-0000
7 / 8	Seal Assembly *	1	See right
9	Seal Spacer	1	28517-0000
10	Bearing Housing	1	28503-0000
11	Bearing	2	SP2601-23
12	Retaining Ring	2	SP1701-437
13	Lip seal (Bearing Housing)	2	SP2701-0912
14	Shaft	1	28507-0000
15	Key	1	X4000-487A
16	Washer	4	X3080-101K
17	Screw	4	X3001-211F
18	Wearplate	1	28566-0000
19	Lip Seal	2	SP2701-0915
20	O-Ring	1	X4020-229A
21	Seal Spacer	1	28565-0011
22	O-Ring	1	X4020-269A
23	Seal Housing	1	28512-0000
24	Tube	2	21844
25	Seal	1	SP2701-0915
26	O-Ring	1	X4020-229A
27	Seal Spacer	1	28517-0001

Parts marked \* Contained in service kit

### Spare Parts & Service Kits

Pressure Rating		Medium	High
3	O-Ring	Nitrile X4020-424A	X4020-424A
4	Impeller	3A Neoprene 8963-0005	8600-0005
		E.P.D.M. 8963-0002	8600-0002
7 / 8	Std Mech.	Nitrile 28531-0103B	28531-0103
	Hard Faced	Nitrile 28431-0203	28431-0203
Service Kit		Neoprene SK379-0115	SK379-0125
		E.P.D.M.	

Models with Neoprene and E.P.D.M. impellers use Nitrile elastomers on seals and O-rings.

Viton is a registered trademark of DuPont Dow Elastomers.

### Other Available Options

Standard head kits, for close coupling to standard IEC motors.