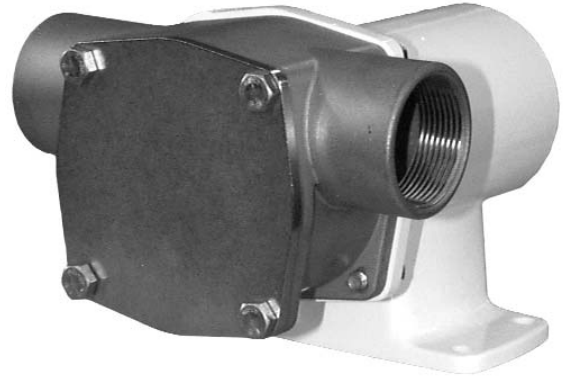


28430 Series Stainless Steel Pedestal Pump

Features

- Self primes from dry up to 5.0 metres
- Flows up to 200 litres per minute
- Pressure up to 4.0 bar
- Handles hard or soft solids - max. 9mm dia
- Tolerates abrasive wear - replacable wearplate
- Non pulsating flow, proportional to speed
- Handles viscosities up to 10,000 centiPoise
- Minimal shear to thixotropic fluids
- Easy to service and maintain



Typical Applications

- Acids and alkalis, compounds, copper sulphate, methyls, alcohols.
- Industrial chemicals, resins, oils, fatty acids, brine.
- Detergents, soaps, hydrogen peroxide.
- Paints, dyes, inks, varnishes, laquers, solvents.
- Transfer, filling, recirculation and agitation, spillage return, spraying, coating, filtration.
- Viscous, shear-sensitive fluids, small hard and soft solids in suspension.

Specifications

Seal : Carbon / Ceramic mechanical face seal
Optional:

- Tungsten Carbide / Ceramic hard faced mechanical seal
- Nitrile Lip seal on shaft sleeve
- Carbon / Ceramic flushed seal
- Tungsten Carbide / Ceramic hard faced flushed seal

Seal Elastomer : Nitrile or Viton

Pump Head : Stainless steel 316, as-cast interior and exterior finish

End Cover : Stainless steel 316 grade

Shaft : Stainless steel 316 grade

Bearings : Greased ball bearings

Bearing Housing : Epoxy coated cast iron

Ports : 1½" BSP internal thread to BS21 (DIN2999)

Weight : 8.7kg

Model Range


Pressure options	Medium - Max 2.5 bar				High - Max 4.0 bar			
	Neoprene	E.P.D.M.	Nitrile	Viton®	Neoprene	E.P.D.M.	Nitrile	Viton®
Elastomer option	Neoprene	E.P.D.M.	Nitrile	Viton®	Neoprene	E.P.D.M.	Nitrile	Viton®
Temperature range	4°C to 70°C	4°C to 100°C	10°C to 90°C	15°C to 90°C	4°C to 70°C	4°C to 100°C	10°C to 90°C	15°C to 90°C
Mechanical Seal Options								
Carbon/Ceramic	28430-2115	28430-2112	28430-2113	28430-2114	28430-2125	28430-2122	28430-2123	28430-2124
Tungsten Carbide/Ceramic hard faced	28430-2215							
Lip seal	28430-2415							
Flushed Mechanical Seal								
Tungsten Carbide/Ceramic hard faced	28430-2715							
Carbon/Ceramic	28430-2915							

For models not listed above, consult distributor or factory


Note : it is not recommended to start the pump at extremes of the temperature range, impeller damage may occur

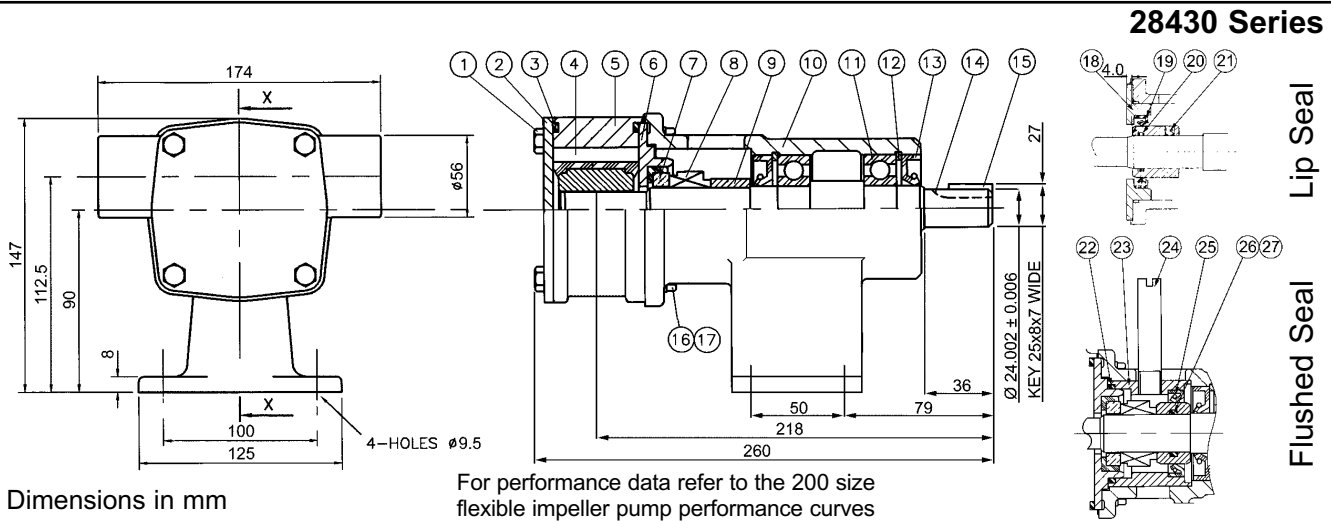
For Installation, Operating, Maintenance and Safety Instructions refer to form 43001-0543

WARNING Explosion hazard. Do not pump gasoline, solvents, thinners or other flammable liquids. To do so can cause an explosion resulting in injury or death.



WARNING Injury hazard. Exposed pulleys and belts can cause injury. Install shield around pulleys and belts. Stay clear while machinery is operating.





Dimensions in mm

For performance data refer to the 200 size flexible impeller pump performance curves

Parts List

Key	Description	Qty	Part Number
1	Screw	4	X3001-207F
2	Endcover	1	28405-0010
3	O'Ring *	2	See right
4	Impeller*	1	See right
5	Body	1	28434-2000
6	Wearplate	1	28436-0000
7 / 8	Seal Assembly *	1	See right
9	Seal Spacer	1	28417-0000
10	Bearing Housing	1	28403-0000
11	Bearing	2	SP2601-28
12	Retaining Ring	2	SP1701-283
13	Lip seal (Bearing Housing)	2	SP2701-0911
14	Shaft	1	28407-0000
15	Key	1	X4000-487A
16	Washer	4	X3080-101K
17	Screw	4	X3001-209F
18	Wearplate	1	28466-0000
19	Lip Seal	1	SP2701-0915
20	O-Ring	1	X4020-227A
21	Seal Spacer	1	28465-0001
22	O-Ring	1	X4020-261A
23	Seal Housing	1	28412-0000
24	Tube	2	21844
25	Seal	1	SP2701-0915
26	O-Ring	1	X4020-227A
27	Seal Spacer	1	28417-0001

Parts marked * Contained in service kit

Spare Parts & Service Kits

Pressure Rating		Medium	High	
3	O-Ring	Nitrile	X4020-399A	X4020-399A
		Viton	X4020-399B	X4020-399B
4	Impeller	Neoprene	14346-0005B	8983-0005B
		E.P.D.M.	14346-0002B	8983-0002B
		Nitrile	14346-0013B	8983-0023B
		Viton	14346-0014B	8983-0024B
7 / 8	Std Mech. Seals	Nitrile	28431-0103B	28431-0103B
		Viton	28431-0104B	28431-0104B
	Hard Faced	Nitrile	28431-0203B	28431-0203B
		Viton	28431-0204B	28431-0204B
Service Kit		Neoprene	SK378-0115	SK378-0125
		Nitrile	SK378-0113	SK378-0123
		Viton	SK378-0114	

Models with Neoprene and E.P.D.M. impellers use Nitrile elastomers on seals and O-rings.

Viton is a registered trademark of DuPont Dow Elastomers.

Other Available Options

Standard head kits, for close coupling to standard IEC motors.