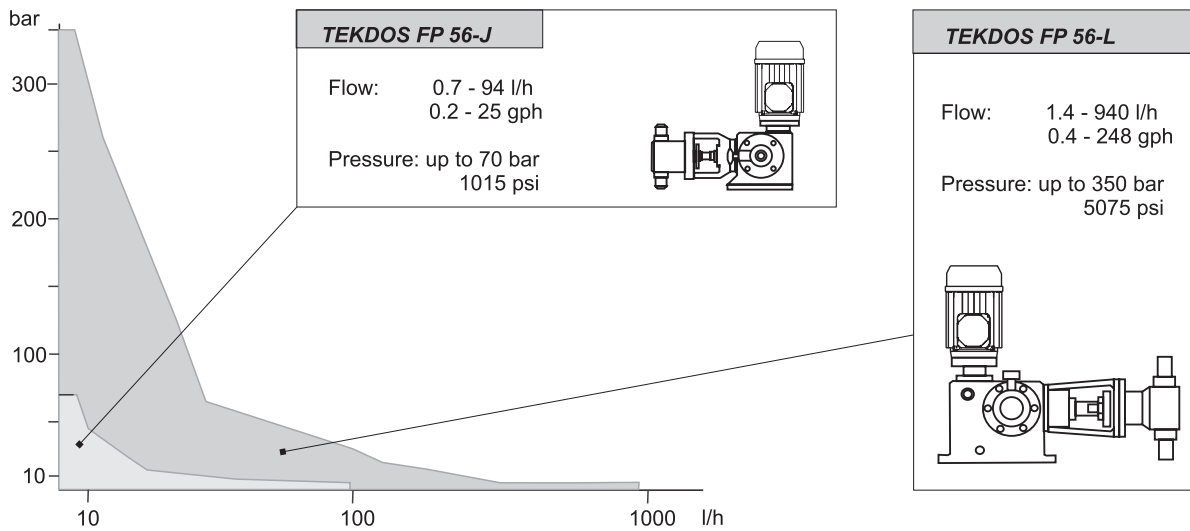


DESCRIPTION

TekdosFP series are plunger dosing pumps for continuous operation under hard process conditions.

SERIES: TEKDOS 56-J , TEKDOS 56-L



CODE FORMULATION

56 - L P 4 6 - P 22 I I K - Ex

MOTOR	HEAD	FREQUENCY	STROKE	Ø PLUNGER	DOSING HEAD	CONNECTION	ATEX
J: 0.25Hp 3 Ph L: 1Hp 3Ph	P: Plunger	3: 50 Strokes/min. 4: 100 Strokes/min. 5: 150 Strokes/min. 6: 200 Strokes/min.	3: 12 mm 4: 24 mm	P5: Ø 5 mm P8: Ø 8 mm P11: Ø 11 mm P16: Ø16 mm D22: Ø22 mm D32: Ø32 mm D40: Ø40 mm D46: Ø46 mm D64: Ø64 mm D80: Ø80 mm D90: Ø90 mm	II : AISI 316L	J: 1/4" K: 1/2" O: 1" X: 1 1/4"	EEx de IICT4

FLOW-PRESSURE

FLOW -PRESSURE

	CODE	FLOW				PRESSURE		CONNECTION (DB = double ball)	MOTOR	
		50Hz		60Hz		bar	psi		Kw	Hp
		l/h	gph	l/h	gph					
TEKDOS FP 56-J	56-JP33-P5IIJ	0.7	0.2	0.8	0.2	70	1015	1/4" - 1/4" (DB)	0.186	0.25
	56-JP43-P5IIJ	1.4	0.4	1.7	0.4	70	1015	1/4" - 1/4" (DB)	0.186	0.25
	56-JP33-P8IIJ	1.9	0.5	2.3	0.6	70	1015	1/4" - 1/4" (DB)	0.186	0.25
	56-JP43-P8IIJ	3.7	1.0	4.4	1.2	70	1015	1/4" - 1/4" (DB)	0.186	0.25
	56-JP33-P13IIJ	5.0	1.3	6.0	1.6	45	653	1/4" - 1/4" (DB)	0.186	0.25
	56-JP33-P17IIJ	8.5	2.2	10.2	2.7	26	377	1/4" - 1/4" (DB)	0.186	0.25
	56-JP43-P13IIJ	9.9	2.6	11.9	3.1	45	653	1/4" - 1/4" (DB)	0.186	0.25
	56-JP33-P22IIJ	14.0	3.7	16.8	4.4	16	232	1/4" - 1/4" (DB)	0.186	0.25
	56-JP43-P17IIJ	17.0	4.5	20.4	5.4	26	377	1/4" - 1/4" (DB)	0.186	0.25
	56-JP43-P22IIJ	28.0	7.4	33.6	8.8	16	232	1/4" - 1/4" (DB)	0.186	0.25
	56-JP33-P32IIJ	30.0	7.9	36.0	9.5	7.5	109	1/4" - 1/4" (DB)	0.186	0.25
	56-JP33-P40IIK	47.0	12.4	56.4	14.8	4.7	68	1/2" - 1/2"	0.186	0.25
	56-JP43-P32IIJ	60.0	16.0	72.0	18.9	7.5	109	1/4" - 1/4" (DB)	0.186	0.25
	56-JP43-P40IIK	94.0	25.0	113	29.7	4.7	68	1/2" - 1/2"	0.186	0.25

	CODE	FLOW				PRESSURE		CONNECTION (DB = double ball)	MOTOR	
		50Hz		60Hz		bar	psi		Kw	Hp
		l/h	gph	l/h	gph					
TEKDOS FP 56-L	56-LP36-P5IIJ	1.4	0.4	1.7	0.4	350	5075	1/4" - 1/4" (DB)	0.75	1
	56-LP36-P8IIJ	3.7	1.0	4.4	1.2	350	5075	1/4" - 1/4" (DB)	0.75	1
	56-LP36-P11IIJ	7,0	1,8	8,4	2,2	263	3814	1/4" - 1/4" (DB)	0,75	1
	56-LP46-P8IIJ	7,4	2,0	8,9	2,3	350	5075	1/4" - 1/4" (DB)	0,75	1
	56-LP46-P11IIJ	14,0	3,7	16,8	4,4	263	3814	1/4" - 1/4" (DB)	0,75	1
	56-LP36-P16IIJ	14,5	3,8	17,4	4,6	124	1798	1/4" - 1/4" (DB)	0,75	1
	56-LP36-P22IIK	28,0	7,4	33,6	8,9	65	942	1/2"-1/2" (DB)	0,75	1
	56-LP46-P16IIJ	29,0	7,7	34,8	9,2	124	1798	1/4"-1/4" (DB)	0,75	1
	56-LP46-P22IIK	56,0	14,8	67,2	17,7	65	942	1/2"-1/2" (DB)	0,75	1
	56-LP36-P32IIK	60,0	15,8	72,0	19,0	31	450	1/2"-1/2" (DB)	0,75	1
	56-LP36-P40IIK	93,0	24,6	112	29,5	20	290	1/2"-1/2" (DB)	0,75	1
	56-LP46-P32IIK	119	31,4	143	37,7	31	450	1/2"-1/2" (DB)	0,75	1
	56-LP36-P46IIK	123	32,5	148	39,0	15	217	1/2"-1/2" (DB)	0,75	1
	56-LP46-P40IIK	185	48,9	222	58,6	20	290	1/2"-1/2" (DB)	0,75	1
	56-LP36-P64IIO	240	63,4	288	76,1	7,5	109	1"-1"	0,75	1
	56-LP46-P46IIK	245	64,7	294	77,6	15	217	1/2"-1/2" (DB)	0,75	1
	56-LP36-P80IIX	372	98,2	446	118	5	72,5	1 1/4"-1 1/4"	0,75	1
	56-LP36-P90IIX	470	124	564	149	4	58	1 1/4"-1 1/4"	0,75	1
	56-LP46-P64IIO	479	126	575	152	7,5	109	1" - 1"	0,75	1
56-LP46-P80IIX	743	196	892	235	5	72,5	1 1/4"-1 1/4"	0,75	1	
56-LP46-P90IIX	940	248	1128	298	4	58	1 1/4"-1 1/4"	0,75	1	

MATERIALS

Plunger	AISI 316L
Packing seals	Aramid- Graphite / PTFE
Cylinder	AISI 316L
Valve	AISI 316L
Block	Grey cast iron

TEMPERATURE

Min.	-5 °C 23°F
Max.	200°C 392°F

MOTOR

Power	0.185 / 0.75 Kw 0.25 / 1.0 Hp
Voltage	230V-430V
Frequency	50Hz-60Hz

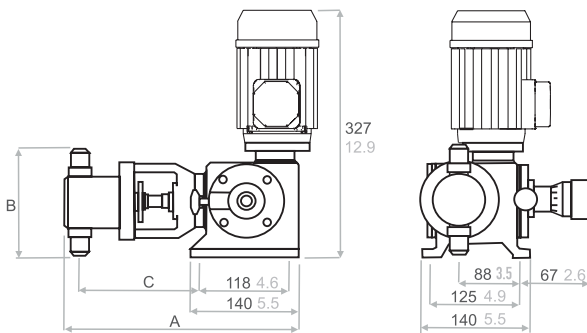
R.p.m.	1450-1680
Protection Class	IP-55
Frame	F M80 - B14

ATEX

II 2G/D EEx de IICT4

DIMENSIONS

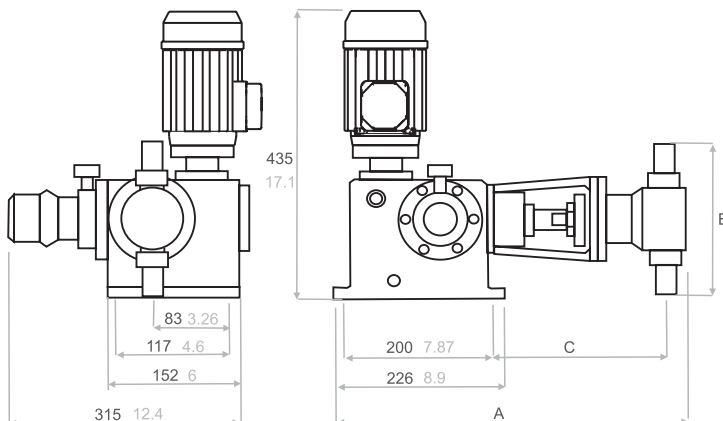
TEKDOS FP 56-J



Ø PLUNGER	P5	P8	P13	P22	P32	P40
mm						
A	285	285	285	300	300	345
B	142	142	142	146	151	240
C	135	135	135	150	150	183
inch						
A	11.2	11.2	11.2	11.8	11.8	13.6
B	5.6	5.6	5.6	5.7	5.9	9.5
C	5.6	5.3	5.3	5.9	5.9	7.2

Weight (aprox.): 30 Kg (65 lb)

TEKDOS FP 56-L



Ø PLUNGER	P5 P8 P11 P16 P22 P32 P46 P64							
	mm							
A	446	446	446	446	483	483	491	493
B	141	141	141	141	151	230	230	239
C	214	214	214	214	239	239	247	241
inch								
A	17.5	17.5	17.5	7.5	19	19	19.3	19.4
B	5.5	5.5	5.5	5.5	5.9	9	9	9.4
C	8.4	8.4	8.4	8.4	9.4	9.4	9.7	9.5

Weight (aprox.): 50 Kg (110 lb)