

H-SERIES

SEALED, CLOSE-COUPLED GEAR PUMPS



Models H12R, H12F & H14F

Table of Contents

	Introduction	2
Section 1:	General Information	3-8
Section 2:	Safety Precautions	9
Section 3:	Pump & Motor Installation	10-12
Section 4:	Start Up & Operation	13
Section 5:	Maintenance & Repair	14-31
	Appendix	32-51

Introduction

This manual provides instructions for the installation, operation and maintenance of the H-Series Sealed Gear Pumps, Models H12R, H12F and H14F with Close-Coupled (CC) configuration. It is critical for any user to read and understand the information in this manual along with any documents this manual refers to prior to installation and start-up.

Liquiflo shall not be liable for damage or delays caused by a failure to follow the instructions for installation, operation and maintenance as outlined in this manual.

Thank you for purchasing a Liquiflo product.

LIQUIFLO STANDARD TERMS AND CONDITIONS APPLY UNLESS SPECIFIED IN WRITING BY LIQUIFLO.

Detailed Table of Contents

<p>1. General Information</p> <p>1.1 General Instructions 3</p> <p>1.2 Pump Specifications 4-5</p> <p>1.3 Model Coding 6</p> <p>1.4 Pump Installation 7</p> <p>1.5 Start-Up 7</p> <p>1.6 Operation & Troubleshooting 7</p> <p>1.7 Maintenance & Repair 7-8</p> <p>1.8 Repair Kits & Replacement Parts 8</p> <p>1.9 Returned Merchandise Authorization (RMA) . . 8</p> <p>2. Safety Precautions</p> <p>2.1 General Precautions 9</p> <p>3. Pump & Motor Installation</p> <p>3.1 Installation of Pump, Motor & Base 10</p> <p>3.2 General Piping Requirements 10</p> <p>3.3 Gear Pump Requirements 11</p> <p>3.4 General Motor Requirements 11-12</p> <p>3.4.1 Motor Selection 11</p> <p>3.4.2 Motor Hook-Up 12</p> <p>3.4.3 Motor Direction 12</p> <p>4. Start-Up & Operation</p> <p>4.1 Precautions Prior to Starting Pump 13</p> <p>4.2 Operating Requirements 13</p> <p>4.3 Troubleshooting 13</p>	<p>5. Maintenance & Repair</p> <p>5.1 Work Safety 14</p> <p>5.2 Removal from System 14</p> <p>5.3 Pump Disassembly 15-17</p> <p>Removal of Seals 15-16</p> <p>Removal of Internal Parts 17</p> <p>Gear-Shaft Disassembly 17</p> <p>5.4 Pump Assembly 18-31</p> <p>Installation of Bearings 18</p> <p>Internal Bearing Flush Option 18</p> <p>Installation of Wear Plates 20</p> <p>Installation of Gear-Shafts 20</p> <p>Installation of Seals 22-29</p> <p>A. Packing Seal 22-23</p> <p>B. Single Internal Mech. Seal 24-26</p> <p>C. Double Mechanical Seal 27-29</p> <p>Installation of Pump to Motor 30-31</p> <p>Appendix:</p> <p>A-1: Fastener Torque Specifications 32</p> <p>A-2: Maintenance Tool List 33</p> <p>A-3: Repair Kits 34</p> <p>A-4: Wear Allowances 35-37</p> <p>A-5: Gear-Shaft Assembly 38-41</p> <p>A-6: Reference Drawings 42-47</p> <p>A-7: Operation of Dynamic Seals 48-49</p> <p>A-8: Troubleshooting Guide 50-51</p>
--	---

Section 1: General Information

1.1 General Instructions

This manual covers the H-Series Sealed, Close-Coupled Gear Pumps, Models H12R, H12F and H14F.

The materials of construction of the pump are selected based upon the chemical compatibility of the fluid being pumped. The user must verify that the materials are suitable for the surrounding atmosphere.

If the fluid is non-conductive, methods are available to mechanically ground the isolated shaft. This is only necessary if the surrounding atmosphere is extremely explosive or stray static charges are present.

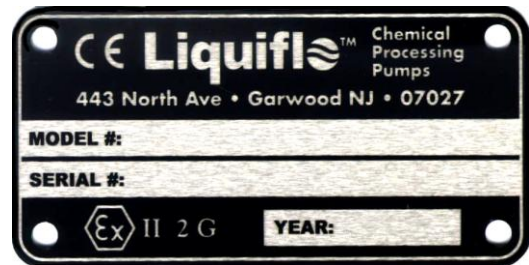
Upon receipt of your Liquiflo pump:

- A) Verify that the equipment has not been damaged in transit.
- B) Verify that the pump *Serial Number* is stamped on the pump's rear housing.
- C) Verify that the *Liquiflo Stainless Steel Nameplate* is secured to the pump's housing:



- D) For ATEX certification, verify that the following *Stainless Steel Tag* is attached to the pump:

Explanation of ATEX Tag	
Group II	Explosive atmospheres
Category 2	Equipment provides a high level of protection. Explosive atmospheres are likely to occur.
Category 3	Equipment provides a normal level of protection. Explosive atmospheres are unlikely to occur.
D	Dust
G	Gas



- E) Record the following information for future reference:

Model Number:
Serial Number:
Date Received:
Pump Location:
Pump Service:

NOTE: By adding a **K** prior to the pump's Model Code, a **Repair Kit** can be obtained which consists of the following parts: Drive and idler gears, drive and idler shafts, wear plates, bearings, retaining rings, keys, housing alignment pins, bearing lock pins, O-rings and seal components. (See **Appendix 3** for more information.)

1.2 Pump Specifications

Table 1A: Performance Specifications (English System Units)

Pump Series	Pump Model	Max Flow	Max Speed	Max ΔP	Max Viscosity ⁽²⁾	NPSHR ⁽³⁾	Dry Lift ⁽³⁾	TD ⁽⁴⁾
	Units:	GPM	RPM	PSI	cP	ft	ft	GPR
H-Series	H12R	21.9	1150	225 ⁽¹⁾	100,000	5	15	.01907
	H12F	29.2	1150	225 ⁽¹⁾	100,000	5	17	.02543
	H14F	58.4	1150	225 ⁽¹⁾	100,000	3	20	.05086

Table 1B: Performance Specifications (SI System Units)

Pump Series	Pump Model	Max Flow	Max Speed	Max ΔP	Max Viscosity ⁽²⁾	NPSHR ⁽³⁾	Dry Lift ⁽³⁾	TD ⁽⁴⁾
	Units:	LPM	RPM	bar	mPas	m	m	LPR
H-Series	H12R	83.0	1150	15.5 ⁽¹⁾	100,000	1.5	4.5	.07219
	H12F	110	1150	15.5 ⁽¹⁾	100,000	1.5	5.2	.09626
	H14F	220	1150	15.5 ⁽¹⁾	100,000	0.9	6.1	.19253

NOTES:

- 1 Max ΔP (Differential Pressure) is derated to 125 PSI (8.6 bar) for viscosities < 10 cP (mPas).
- 2 Fluid viscosities > 150 cP (mPas) should use pumps with trimmed gears to reduce power consumption and increase pump efficiency. High-viscosity fluids may require larger pumps with trimmed gears operating at lower speeds. Consult factory.
- 3 NPSHR and Dry Lift are Specified @ Max Speed and 1 cP (mPas).
- 4 TD (Theoretical Displacement) is based on new pump operating @ Max Speed and $\Delta P = 0$.

Table 2: Absolute Temperature & Pressure Ratings

Pump Series	Pump Models	Minimum Operating Temperature		Maximum Operating Temperature ⁽¹⁾		Maximum Operating Pressure ⁽³⁾		
		Units:	°F	°C	°F	°C	PSIG	bar (g)
H-Series	H12R, H12F & H14F		-40	-40	500	260	270	18.6

NOTES:

- 1 The actual maximum surface temperature depends not on the pump but primarily on the temperature of the fluid being pumped. Temperature class can be controlled with the use of thermal sensors. Pump surfaces will be approximately 20 °F (7 °C) above the temperature of the fluid being pumped.
- 2 Pump is designed to operate within the ambient temperature range of -4 °F (-20 °C) and 104 °F (40 °C).
- 3 For pumps with ANSI 150# RF Flanges, the Maximum Operating Pressure Rating of the flange is 285 PSIG within the temperature range of -20 to 100 °F. Above 100 °F, derate by 0.3 PSIG/°F.

Table 3: Maximum Torque Specifications (in-lbs)

Gear Combination	Model	H12R	H12F	H14F
Idler Gear Teflon		101	134	-
Idler Gear Ryton		285	380	-
Idler Gear PEEK		285	380	760
Double Metal Gears		1558	1558	1558

Table 4: Weight Data

	Model	H12R	H12F	H14F	Units
Pump Weight *		77	77	95	lbs
		35	35	43	kg

* Approximate weight of pump with flanged ports (excluding motor).

Table 5: Material Data

Component		Materials	
		H12R & H12F	H14F
Pump Housing		316 Stainless Steel or Alloy-C	316 Stainless Steel
Mounting Hardware		18-8 Stainless Steel	18-8 Stainless Steel
Mounting Bracket		Carbon Steel/Epoxy	Carbon Steel/Epoxy
Bearings		Carbon-60, Silicon Carbide, PEEK or Teflon (Note 1)	Carbon-60 or Silicon Carbide
Wear Plates		Carbon-60, Silicon Carbide, PEEK or Teflon (Note 1)	Carbon-60, Silicon Carbide, PEEK or Teflon (Note 1)
Gears		316 Stainless Steel, Alloy-C, PEEK, Ryton or Teflon (Note 1)	316 Stainless Steel or PEEK
Shafts	Base Metal	316 Stainless Steel or Alloy-C (Note 2)	316 Stainless Steel
	Coating	Uncoated, Ceramic Chrome Oxide or Tungsten Carbide	Uncoated or Tungsten Carbide
Housing Pins		316 Stainless Steel or Alloy-C (Note 2)	316 Stainless Steel
Bearing Pins		316 Stainless Steel or Alloy-C (Note 2)	316 Stainless Steel
Retaining Rings		316 Stainless Steel or Alloy-C (Note 2)	316 Stainless Steel
Keys		316 Stainless Steel or Alloy-C (Note 2)	316 Stainless Steel
O-rings		Teflon, Viton, EPDM, Buna-N, Kalrez or 316 SS/PTFE Encapsulated	
Mech. Coupling	Flanges	Cast Iron	
	Insert	EPDM	
	Key	Carbon Steel	
Dynamic Seal	Packing	Braided Teflon or Graphoil	
	Mechanical Seals	Seal Face: Carbon or Teflon Seal Wedge: Teflon or Graphoil Seal Retainer: Single Internal: 316 Stainless Steel or Alloy-C (Note 2) Double: 316 Stainless Steel Seal Seat: Silicon Carbide	

NOTES:

- 1 Teflon is 25% glass-filled PTFE.
- 2 Material will match pump housing material.

1.3 Model Coding

A thirteen-position **Model Code** is used to completely describe a specific sealed pump. This code is required when ordering either a new pump or a repair kit or replacement parts for an existing pump. The tables below describe the Model Code and give specific examples:

Table 6A: Sealed Pump Model Code Description & Example 1

Position #	Description	Pump Model Code Example 1: H12RS6PEEU120065	
		Code	Selection
1	Pump Model (Size)	H12	Model H12R (H12 = Pump Size; R = Reduced Capacity)
2	Pump Model (Capacity)	R	
3	Basic Material & Port Type	S	316 SS Housing and Shafts & NPT Ports
4	Drive Gear	6	316 SS Drive Gear
5	Idler Gear	P	PEEK Idler Gear
6	Wear Plates	E	Carbon-60 Wear Plates
7	Bearings	E	Carbon-60 Bearings
8	Sealing Method	U	Carbon/SiC Single Internal Mechanical Seal
9	Bearing Flush	1	Bearing Flush Plugs
10	Shaft Coating	2	Tungsten Carbide (316 SS Base Metal)
11	O-rings	0	Teflon O-rings
12	Retaining Rings	0	316 SS Retaining Rings
13	Bearing Pins	6	316 SS Bearing Pins
14	Coupling Method	5	Close-Coupled (NEMA 182/184TC Motor Frames)
Suffix	Trim Option		No Trim Option

Table 6B: Sealed Pump Model Code Description & Example 2

Position #	Description	Pump Model Code Example 2: H12FC1133S200016-9T	
		Code	Selection
1	Pump Model (Size)	H12	Model H12F (H12 = Pump Size; F = Full Capacity)
2	Pump Model (Capacity)	F	
3	Basic Material & Port Type	C	Alloy-C Housing and Shafts & Flanged Ports
4	Drive Gear	1	Alloy-C Drive Gear
5	Idler Gear	1	Alloy-C Idler Gear
6	Wear Plates	3	Teflon Wear Plates
7	Bearings	3	Teflon Bearings
8	Sealing Method	S	Teflon/SiC Single Internal Mechanical Seal
9	Bearing Flush	2	Bearing Flush Plugs & Internal Bearing Flush
10	Shaft Coating	0	Uncoated (Bare Alloy-C Shafts)
11	O-rings	0	Teflon O-rings
12	Retaining Rings	0	Alloy-C Retaining Rings
13	Bearing Pins	1	Alloy-C Bearing Pins
14	Coupling Method	6	Close-Coupled (NEMA 213/215TC Motor Frames)
Suffix	Trim Option	-9T	Triple-Clearance Viscosity Trim

NOTE: See the Liquiflo Product Catalog or the Liquiflo Website (www.liquiflo.com) for complete Model Coding information.

1.4 Pump Installation

During installation of the pump and supporting equipment, follow the guidelines given in **Section 3**. Pay special attention to all cautionary notes in this section.

1.5 Start-Up

Before operating the pump, inspect the system as outlined in **Section 4**. Do not start the pump until the inspection is satisfactory and all safety precautions have been taken.

1.6 Operation & Troubleshooting

The successful and safe operation of a pump is not only dependent on the pump but also on each of the system components. It is therefore important to monitor the entire pumping system during operation and to perform the necessary maintenance to keep the system running smoothly.

A normally operating sealed gear pump will deliver a steady and pulse-less flow, be relatively quiet and have a predictable flow rate based on the pump speed, fluid viscosity and differential pressure across the pump. Refer to the performance curves of the specific pump model being operated (see Liquiflo Product Catalog or website: www.liquiflo.com). Sealed pumps operating normally will have virtually no leakage, except those with packing, which may require some leakage to properly lubricate the seal (see **Appendix 7**). Sealed pumps must not be run dry for more than a few seconds or damage to the seal will result.

If a significant problem is observed during operation, the pump should be stopped so that corrective action can be taken. The observed problem could have several possible causes, and multiple remedies for each cause. For help with problem solving, refer to the Troubleshooting Guide given in **Appendix 8**.

1.7 Maintenance & Repair

The pump has a dynamic seal and internal bearings, wear plates, gears and shafts which require replacement over time due to physical wear. The center housing of the pump may also incur physical wear and require replacement (see **Appendix 4**). O-rings and retaining rings should always be replaced when rebuilding the pump.

The main factors affecting the physical wear of the pump are operating speed, differential pressure, fluid viscosity, duty cycle, starting and stopping frequency, abrasives in the fluid and the wear properties of the materials. These factors can cause pump lifetimes to vary significantly from one application to another, making it difficult to predict when the pump will require maintenance. Therefore, the maintenance schedule for the pump is typically based on the maintenance history of the specific application. The main indicators that a pump may require maintenance are the following: (1) decreased flow rate or pressure, (2) fluid leakage, (3) unusual noise or vibrations and (4) increased power consumption.

Standard repair kits are available to facilitate repair of the pump (see **Appendix 3**). A repair kit for a sealed pump includes the following parts: seal components (packing rings or mechanical seal), bearings, wear plates, gear-shaft assemblies, O-rings, bearing lock pins and housing alignment pins. The single mechanical seal includes the outboard seal seat and the double mechanical seal includes both the inboard and outboard seal seats.

Before performing maintenance on the pump, review the safety precautions given in **Section 2**. Removal of the pump from the piping system is covered in **Section 5.2**. A maintenance tool list is provided in **Appendix 2**. To disassemble the sealed pump, follow the procedure in **Section 5.3**. To

replace the seal or other parts of the pump, follow the assembly procedure in **Section 5.4**. When performing maintenance, pay special attention to all cautionary notes given in these sections.

1.8 Repair Kits & Replacement Parts

Repair kits and replacement parts for the pumps can be purchased from your local Liquiflo distributor. Refer to **Appendices 3** thru **6** for repair kit and individual parts information.

1.9 Returned Merchandise Authorization (RMA)

If it is necessary to return the pump to the factory for service,

- 1) Contact your local Liquiflo distributor to discuss the return, obtain a Returned Merchandise Authorization Number (**RMA #**) and provide the distributor with the required information (see RMA Record below).
- 2) Clean and neutralize pump.
- 3) Package the pump carefully and include the **RMA #** in a visible location on the outside surface of the box.
- 4) Ship pump to factory, freight prepaid.

Returned Merchandise Authorization (RMA) Record		
1	RMA #	(Supplied by Distributor)
2	Distributor Name	
3	Order Date	
4	Customer PO #	
5	Return Date	
6	Item(s) Returned	
7	Serial Number(s)	
8	Reason for Return	
9	Fluid(s) Pumped	
10	Notes	

NOTE: Pump must be cleaned and neutralized prior to shipment to the factory.

Section 2: Safety Precautions

2.1 General Precautions

- **Always** lock out the power to the pump driver when performing maintenance on the pump
- **Always** lock out the suction and discharge valves when performing maintenance on the pump
- **Never** operate the pump without safety devices installed
- **Never** operate the pump with suction and/or discharge valves closed
- **Never** operate the pump out of its design specifications
- **Never** start the pump without making sure that the pump is primed
- **Never** use heat to disassemble pump
- Inspect the entire system before start-up
- Monitor the system during operation and perform maintenance periodically or as required by the application
- Decontaminate pump using procedures in accordance with federal, state, local and company environmental regulations
- Before performing maintenance on the pump, check with appropriate personnel to determine if skin, eye or lung protection is required and how best to flush the pump
- Pay special attention to all cautionary statements given in this manual.

**Caution!**

Failure to observe safety precautions can result in personal injury, equipment damage or malfunction.

Section 3: Pump & Motor Installation

3.1 Installation of Pump, Motor & Base

Refer to the Hydraulic Institute Standards for proper installation procedures of the base, pump and motor. Observe the following guidelines:

- 1) The foundation area should be rigid and level for maintaining pump alignment.
- 2) The pump and motor assembly must be securely fastened to the base, and the base must be securely attached to the ground.
- 3) The pump inlet should be as close to the liquid source as practical and preferably below it.
- 4) The pump and motor should be accessible for servicing and inspection.
- 5) The pump and motor should be cleaned periodically to prevent the build-up of dust.

NOTE: The pump models covered in this manual are close-coupled and no alignment procedure between the pump and motor is required.

3.2 General Piping Requirements

Guidelines for piping are given in the Hydraulic Institute Standards and should be reviewed prior to pump installation.

- 1) All piping must be supported independently and must line up naturally with pump ports.



Caution!

Do not use the pump to support the piping or allow the piping to apply stress to the pump ports. This can distort the alignment of the pump housing with internal parts and lead to rapid wear or malfunction.

- 2) DO NOT make final connection of piping to pump until the grout has hardened and the pump and motor hold-down bolts have been tightened.
- 3) Piping that handles both hot and cold liquids require proper installation of expansion loops and joints so that thermal expansion of the piping will not cause misalignment.
- 4) Gasket installation and materials must be suitable for the service.
- 5) Piping runs should be designed to minimize friction losses.
- 6) Suction and discharge piping should be the same size or larger than the inlet and outlet ports.
- 7) The piping should be arranged to allow the pump to be flushed and drained prior to the removal of the pump for servicing. Valves and unions should be installed to allow the pump to be isolated during maintenance.
- 8) The piping system should be thoroughly cleaned prior to installation of the pump.

3.3 Gear Pump Requirements

- 1) A positive displacement pump should have a **pressure relief valve** installed in the discharge line. Install the relief valve between the pump discharge port and the discharge isolation valve. The relief valve should bypass the discharge line back to the supply tank, not back to the pump suction port. This is to prevent the pump from overheating should it be left running in a relieved condition.
- 2) The maximum particle size capable of being passed by the pumps is 60 microns. When pumping fluids containing suspended solids, a **filter** of at least 230 U.S. Mesh should be installed in the suction line.
- 3) Concentration of solids should be limited to 1% by volume. Exceeding this concentration can cause the wear rate to increase to an unacceptable level, resulting in a rapid decrease in pump performance. In addition to solids concentration, the specific wear rate also depends on the size, shape and hardness of the particles, the operating speed and the materials used to construct the pump.

3.4 General Motor Requirements

- 1) The motor must be compatible with the pump and conditions of the application.
- 2) The motor supply voltage must match the nameplate voltage of the motor.
- 3) The motor should never be operated outside of its design specifications.
- 4) The motor should be inspected periodically and serviced or replaced as required.

**Caution!**

Lock out power to the motor before servicing or replacing.

3.4.1 Motor Selection

- 1) The motor frame must be equipped with feet for mounting to a base (see cover photo).
- 2) The motor frame must be compatible with the pump mounting bracket. Valid choices are NEMA 182TC, 184TC, 213TC, 215TC, 254TC & 256TC and IEC 100, 112 & 132 (with B5 Flange). NEMA 254/256TC motor frames require an *adapter plate* (P/N SP0047) and four longer *motor bolts* (P/N 31 22021) to attach the bracket to the motor (see Page 30). IEC 132 also requires an adapter plate (P/N SP0050) which attaches to the B5 Flange. (Note: Complete pumps ordered for use with NEMA 254/256TC or IEC 132 motor frames will be supplied with the correct adapter plate and mounting hardware.)
- 3) The motor must have an enclosure that is compatible with the application conditions. If an explosion-proof motor is required, the *temperature code* of the motor must be acceptable for the fluid that will be pumped.
- 4) The speed and power output rating of the motor must be sufficient for the conditions of service. The power output rating of the motor should exceed the maximum power that will be required by the pump over its operating range.

3.4.2 Motor Hook-Up

- 1) Electrical wiring of the motor should be performed by a certified electrician.
- 2) Follow the recommendations of the motor manufacturer and observe all electrical wiring safety standards.
- 3) The motor supply voltage must match the motor nameplate voltage or serious motor damage or fire can result.



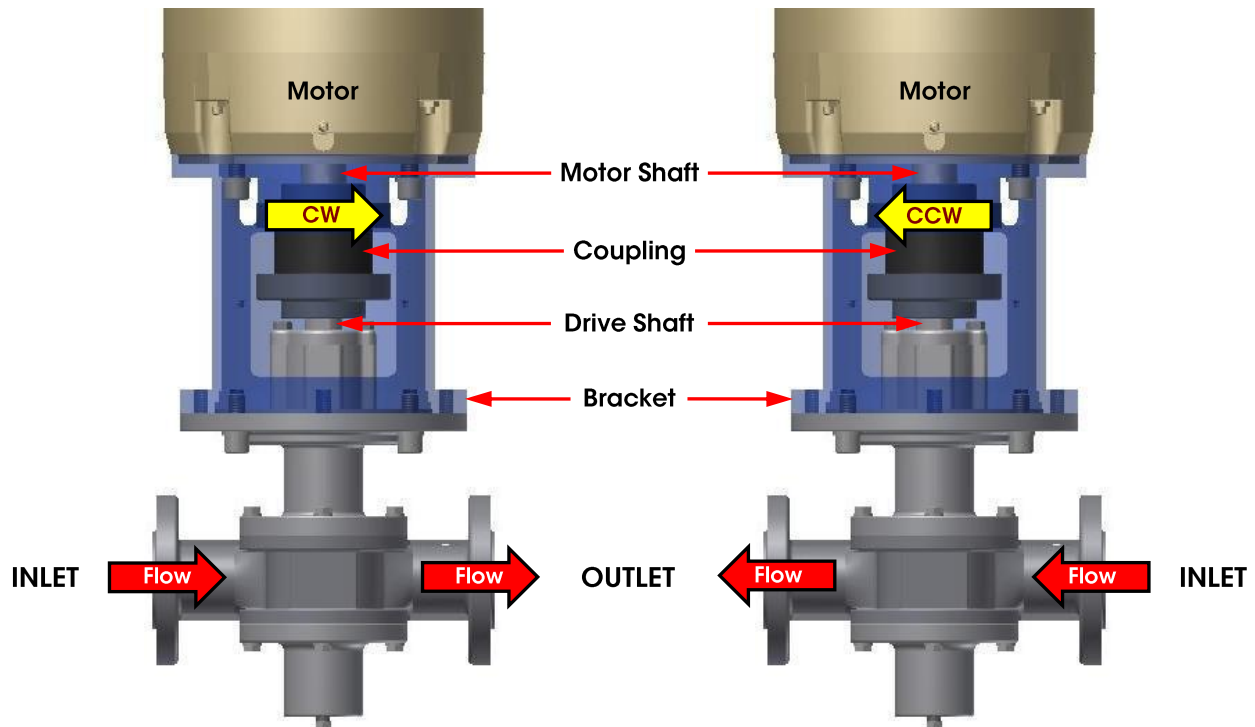
Caution!

Lock out power to the motor before connecting to power line.

3.4.3 Motor Direction

The motor shaft is mechanically coupled to the drive shaft of the pump. Both shafts will turn in the same direction. Because the gear pump is bi-directional, the pump shaft can turn in either direction to produce flow in either direction. The direction of rotation of the motor shaft (same as that of the pump drive shaft) will determine which side of the pump is the *inlet* (suction side) and which side is the *outlet* (discharge side). For the pump models covered in this manual, the flow direction will be as shown below:

Top View of Sealed Gear Pump (with Transparent Bracket) Close-Coupled to Motor



Clockwise (CW) Rotation of Motor Shaft:

Fluid will enter the pump at the left side (inlet) and be discharged at the **right** side (outlet).

Counterclockwise (CCW) Rotation of Motor Shaft:

Fluid will enter the pump at the right side (inlet) and be discharged at the **left** side (outlet).

Section 4: Start-Up & Operation

4.1 Precautions Prior to Starting Pump

- 1) Verify that the pump and motor are suitable for the conditions of service.
- 2) Verify that all suction and discharge valves are open before starting the pump.
- 3) Prime the pump and jog the motor to check the rotation. As viewed from the pump end, a clockwise rotation of the motor will result in fluid discharge to the right; counterclockwise rotation will result in fluid discharge to the left (see Page 12).
- 4) The pump is capable of pulling a dry lift, but it is still recommended that the pump be primed prior to starting.
- 5) A **pressure relief valve** should be installed in the discharge line to protect the pump and piping from any kind of line blockage including the inadvertent closing of an isolation valve.
- 6) If the fluid contains suspended solids, a **filter** of at least 230 U.S. Mesh should be installed in the suction line. Concentration of solids should be limited to 1% by volume.
- 7) Ensure that all safety devices are installed before operating pump (i.e., bracket door, relief valve, strainer, etc.).



Caution!

Verify that the bracket door is installed before operating pump.

4.2 Operating Requirements

- 1) Do not operate the pump without fluid inside it.



Caution!

Do not run the pump dry for more than a few seconds or damage to the seal will result. Extended dry running can damage other internal parts.

- 2) The pump should be operated with at least 20 PSI (1.4 bar) differential pressure to ensure that internal components are properly lubricated by the pumped fluid.
- 3) Adequate suction pressure must be available for the pump to function properly (see NPSHR data on Page 4).
- 4) Do not operate the pump outside of its design specifications (see Pages 4 and 5).

4.3 Troubleshooting

A normally operating mechanically-sealed gear pump will deliver a steady, pulse-less flow with virtually no leakage, be relatively quiet and have a predictable flow rate based on the pump speed, fluid viscosity and differential pressure across the pump. Refer to the performance curves of the specific pump model being operated (see Liquiflo Product Catalog or website: www.liquiflo.com).

During pump operation, inspect for: (1) Unusual noise, (2) Product leakage, (3) Expected suction and discharge pressures and (4) Expected flow rate based on pump speed, fluid viscosity and differential pressure. If any problems occur, stop the pump and take corrective action. For help with problem solving, refer to the Troubleshooting Guide given in **Appendix 8**.

Section 5: Maintenance & Repair

The pump has internal bearings, wear plates, gears, shafts and a dynamic seal (i.e., mechanical seal or packing) which require replacement over time due to physical wear. The center housing of the pump may also incur physical wear and require replacement (see **Appendix 4**). O-rings and retaining rings should always be replaced when rebuilding the pump.

5.1 Work Safety

Before performing maintenance, review the safety precautions given in **Section 2** (see Page 9).

5.2 Removal from System

Before servicing, prepare the pump as follows:



Caution!

If the pump was used to move hazardous or toxic fluids, it must be flushed and decontaminated prior to removal from the system piping. Refer to the Material Safety Data Sheet (MSDS) for the liquid and follow all prescribed safety precautions and disposal procedures.

- 1 Flush the pump.
- 2 Stop the motor and lock out the electrical panel.

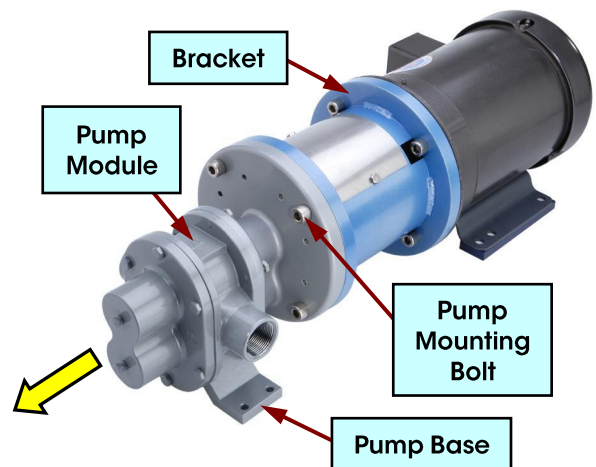


Caution!

Be certain the pump's motor switch is in the OFF position and the power to the motor is locked out.

- 3 Close the suction and discharge isolation valves.
- 4 Disconnect the pump from the system piping.
- 5 Disconnect the pump from the base by removing the **four** base mounting bolts.
- 6 Remove the **four** pump mounting bolts and then pull out the **pump module** from the bracket (see photo).
- 7 Remove the mechanical coupling from the pump drive shaft.
- 8 Remove all plugs from the pump housing and drain the pump of any residual liquid.

NOTE: The pump may contain as many as four 1/8" NPT plugs, depending on the seal arrangement.



5.3 PUMP DISASSEMBLY

Follow the procedure below and refer to the drawings in **Appendix 6**.

- 1 Move the pump to a clean work area.



Caution!

The H12 pumps can weigh up to 77 lbs (35 kg) and the H14 pump can weigh up to 95 lbs (43 kg).

Removal of Seals:

- 2 The pump can have any one of three different types of seals installed. Remove the pump's seal by referring to the applicable section given below:

Section	Seal Removal	Page #	Reference Drawing	Page #
A	Packing Seal	15	Sectional #1	42
B	Single Internal Mechanical Seal	16	Sectional #2	43
C	Double Mechanical Seal	16	Sectional #3	44

NOTE: If only the seal needs replacing, proceed directly to the Installation of Seals section (Pages 22 to 29) after removing the seal. If other parts need replacing, continue the disassembly procedure (see **Step 3**, Page 16).

A: Packing Removal (Refer to Sectional Drawing #1 – Page 42)

- A1 Remove the gland bolts (16) and then separate the gland plate (17) from the front housing (8).
- A2 Extract two packing rings (18) from the stuffing box.
- A3 Remove the lantern ring (11) from the stuffing box.
- A4 Extract the remaining three packing rings (18) from the stuffing box.

NOTE: The packing and lantern ring can be pulled out using a hooked tool, as shown in **Appendix 2**.

B: Single Internal Mechanical Seal Removal (Refer to Sectional Drawing #2 – Page 43)

NOTE: Prior to removal or replacement of the seal, be sure to remove any burrs from the end of the drive shaft by polishing the shaft with very fine sandpaper.

B1 Remove two bolts (16) and then separate the gland plate (17) and outer seal seat (25) from the front housing (8).

B2 Remove the gland plate O-ring (10) and discard.

B3 Remove the seal seat O-ring (18) and discard.

B4 Loosen **all** setscrews on the body of the single mechanical seal (11).

NOTE: The setscrews are accessible thru the side 1/8" NPT ports on the front housing. Rotate the shaft to access the setscrews.

B5 Slide out the mechanical seal (11) from the seal chamber.

NOTE: A small tool or Allen wrench, inserted into one of the 1/8" NPT ports, can be used to push the seal out of the housing.

C: Double Mechanical Seal Removal (Refer to Sectional Drawing #3 – Page 44)

NOTE: Prior to removal or replacement of the seal, be sure to remove any burrs from the end of the drive shaft by polishing the shaft with very fine sandpaper.

C1 Remove two bolts (16) and then separate the gland plate (17) and outer seal seat (25) from the front housing (8).

C2 Remove the gland plate O-ring (10) and seal seat O-ring (18) and discard both.

C3 Loosen **all** setscrews on the body of the double mechanical seal (11).

NOTE: The setscrews are accessible thru the side 1/8" NPT ports on the front housing. Rotate the shaft to access the setscrews.

C4 Slide out the mechanical seal (11) from the seal chamber.

NOTE: A small tool or Allen wrench, inserted into one of the 1/8" NPT ports, can be used to push the seal out of the housing. If it is necessary to replace the inner seal seat (26), it can be pressed out of the seal chamber once the front housing is separated and the bearings are removed. If the inner seal seat is removed, the seal seat O-ring (27) should be discarded.

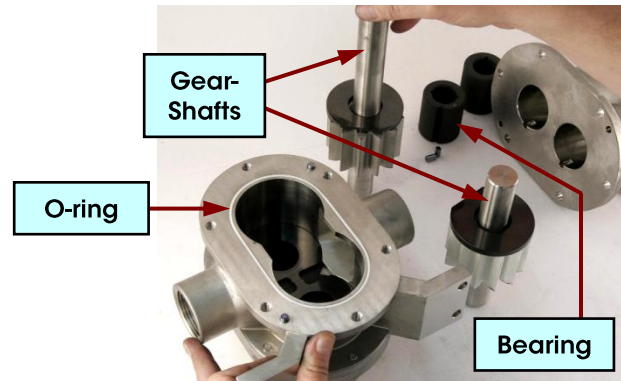
DISASSEMBLY PROCEDURE CONTINUED:

3 Remove six housing bolts (14) from the front housing (8); then separate the front housing from the center housing (21).

Removal of Internal Parts:

- 4** Remove the bearings (3) and lock pins (13) from the front housing (8).

NOTE: The bearings have a slip-fit design and can be extracted using a hooked tool. If the front housing has an inboard seal seat installed, it can now be pressed out using a pointed or cylindrical tool.



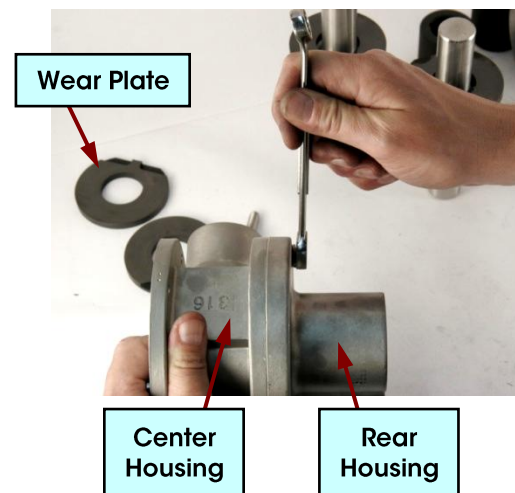
- 5** Remove the wear plates (7), alignment pins (12) and gear-shaft assemblies from the center-rear housing.

- 6** Remove six housing bolts (4) from the rear housing (2); then separate the rear housing from the center housing (21).

- 7** Remove the bearings (3) and lock pins (13) from the rear housing.

- 8** Remove the alignment pins (12) from the center housing.

- 9** Remove the O-rings (5) from the center housing and discard.

**Gear-Shaft Disassembly:**

- 10** If necessary, disassemble the gear-shafts as follows:
- a.** Remove one retaining ring (14) from the shaft (1 or 20), as shown.
 - b.** Remove the gear (6 or 22) and key (24 or 23).
 - c.** Remove the remaining retaining ring (14) from the shaft (1 or 20).



NOTE: Liquiflo Repair Kits include the gears and shafts preassembled, as shown in **Appendix 3**. If the replacement gears and shafts are not assembled, see **Appendix 5** for the assembly procedure.

END OF DISASSEMBLY PROCEDURE

5.4 PUMP ASSEMBLY

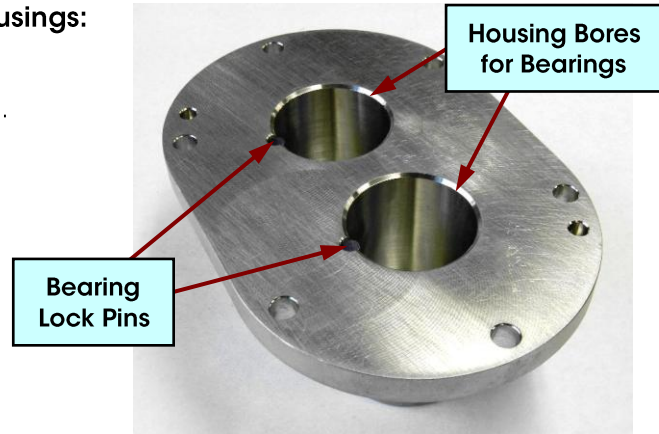
Follow the procedure below and refer to the drawings in **Appendix 6**.

Installation of Bearings into Front & Rear Housings:

- 1 Insert the bearing lock pins (13) into the front housing (8) and the rear housing (2).

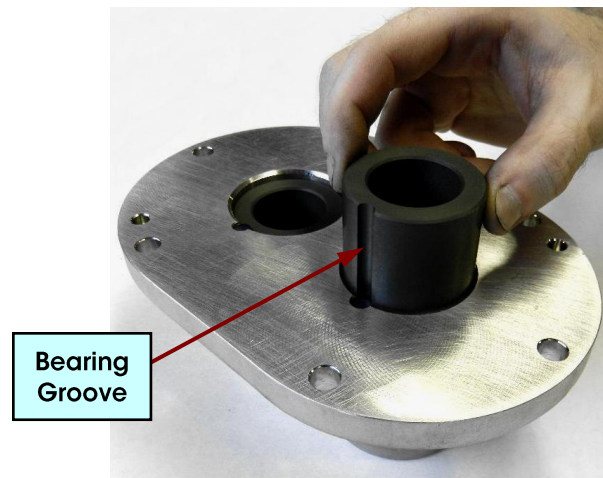
NOTE: The pins serve to prevent the bearings from rotating.

NOTE: A standard rear housing (i.e., not containing a bearing flush groove) is shown at right. Housings with the Internal Bearing Flush (IBF) option are described below.



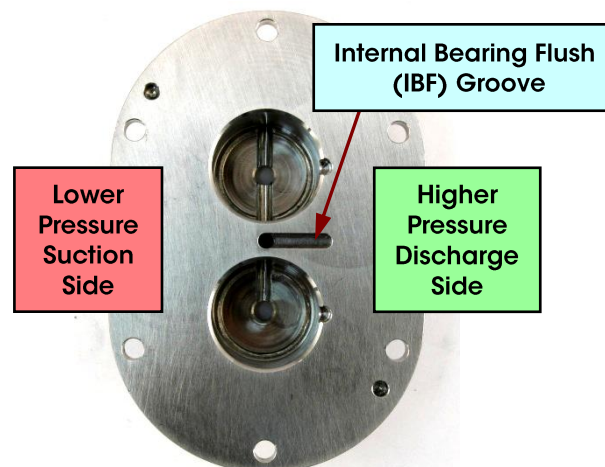
- 2 Insert the bearings (3) into the housing bores of the front and rear housings.

NOTE: Align the bearing grooves with the lock pins in the housings. The bearings have a slip-fit design and should slide easily into the housings.



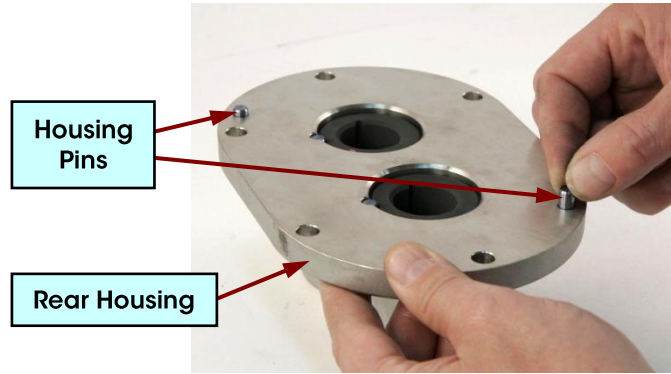
Internal Bearing Flush Option

Pumps ordered with the Internal Bearing Flush (IBF) option will have **modified front and rear housings**, as shown at right. The purpose of the IBF option is to more effectively lubricate and cool the bearings when pumping extremely thin or extremely thick liquids. When assembling the pump, the IBF grooves must be oriented on the higher pressure discharge side of the pump.



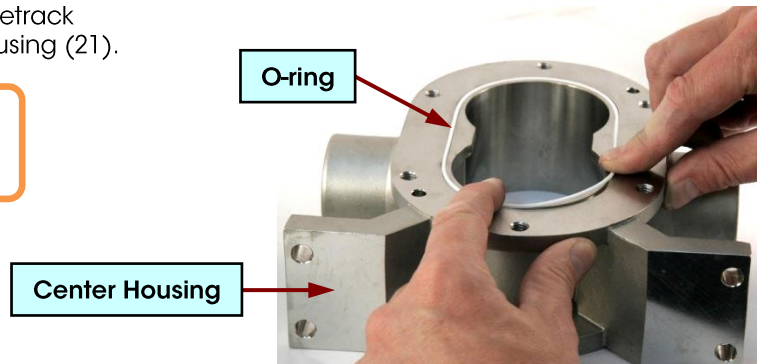
- 3** Insert two housing alignment pins (12) into the rear housing (2).

NOTE: The pins should have a slip fit into the housing. The pump will be assembled in a vertical orientation starting with the rear housing. The 1/8" NPT plugs should not be installed into the rear housing at this time. This will allow the rear housing to lie flat on the bench surface.



- 4** Install one O-ring (5) into the racetrack shaped groove of the center housing (21).

Caution!
Do not reuse O-rings.



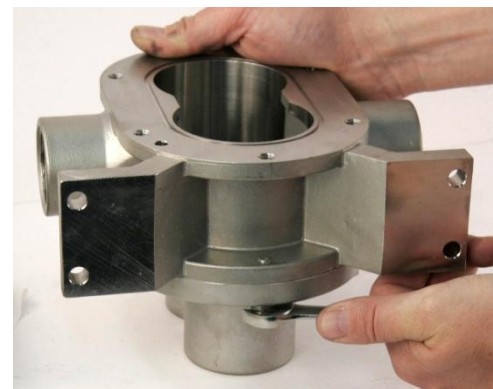
- 5** Place the center housing (21) into position on top of the rear housing (2), as shown.

NOTE: Make certain the O-ring is facing down and the center housing seats properly over the alignment pins in the rear housing.



- 6** Install six housing bolts (14) with lock-washers (15); then tighten the bolts.

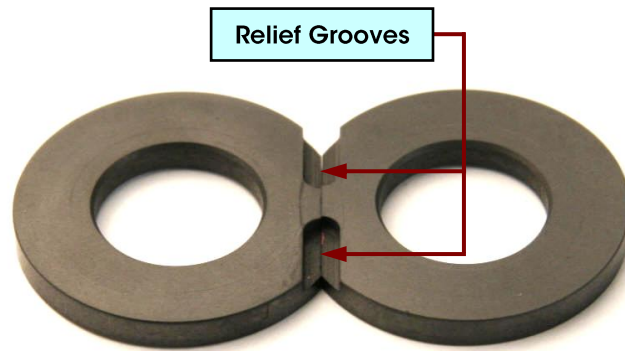
NOTE: Apply anti-seize compound to the bolts. Refer to **Appendix 1** for the torque specifications of the fasteners. When tightening the housing bolts, use a star pattern torque sequence on the fasteners to ensure even compression on the O-ring's surface. With Teflon (PTFE) O-rings, repeat this process several times, waiting between retightening. This is necessary because Teflon will cold flow and require a certain amount of time to properly seat. Continue the process until the bolts no longer require retightening.



Installation of Wear Plates

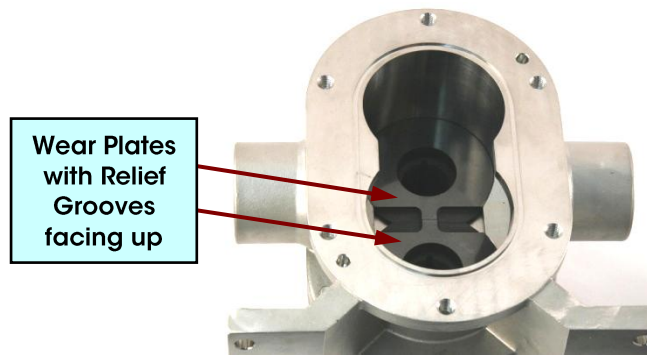
Standard Liquiflo wear plates are manufactured with cut-outs or grooves to provide liquid relief paths to reduce hydraulically-induced gear separation forces that exist during pump operation. These forces decrease pump life by placing significant loads on the shafts and bearings. To be effective, the relief grooves must face toward the gears.

NOTE: Failure to orient the wear plates properly will reduce the operating life of the pump.



- Place two wear plates (7) into position inside the housing bores, as shown.

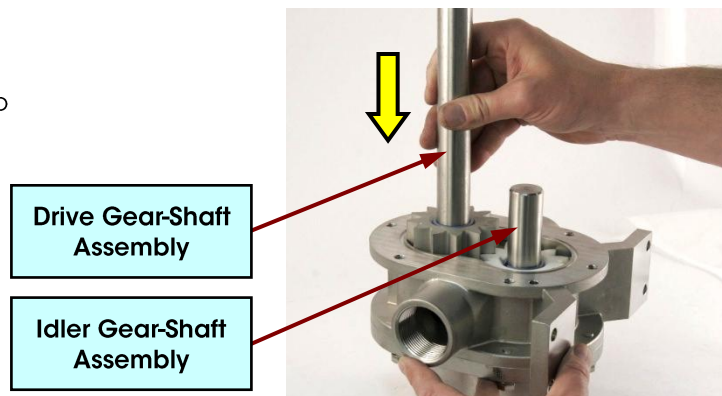
NOTE: For relieved wear plates, the cut-outs must face up (see photo). This will orient the relief grooves toward the gears.



Installation of Gear-Shaft Assemblies:

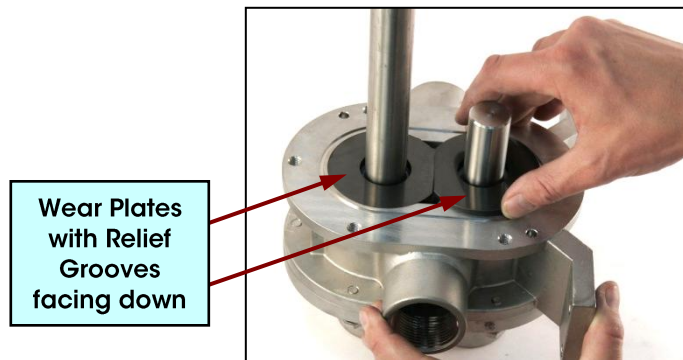
- Insert the gear-shaft assemblies into the housing, as shown.

NOTE: Liquiflo Repair Kits contain the gears and shafts preassembled, as shown to the right and in **Appendix 3**. If the replacement gears and shafts are not assembled, see **Appendix 5** for the assembly procedure.

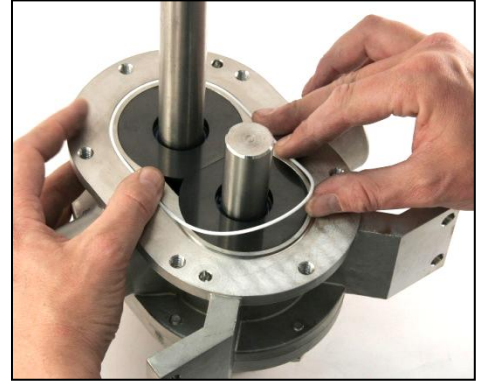


- Place two wear plates (7) into position on top of the gears, as shown.

NOTE: For relieved wear plates, the cut-outs must face down, toward the gears.



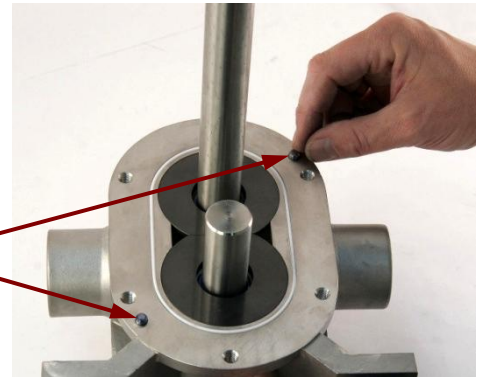
- 10** Install O-ring (5) into the racetrack shaped groove of the center housing (21).



- 11** Insert two housing alignment pins (12) into the center housing (21), as shown.

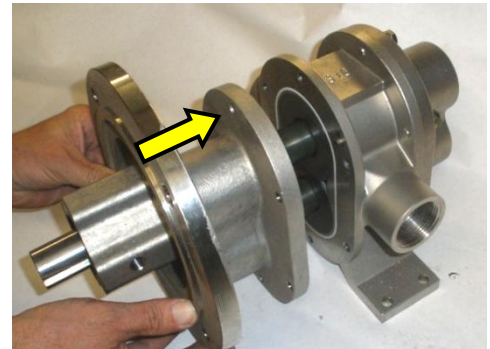
NOTE: The pins should have a slip fit into the housing. The housing pins serve to accurately align the front, center and rear housings.

Housing
Pins



- 12** Install the front housing (8) to the center housing (21), as shown.

NOTE: The front housing should be installed to the center housing horizontally to ensure that the bearings will not slide out of the front housing. Be certain the front housing seats properly over the alignment pins in the center housing. If the pump has an IBF option, the IBF grooves in the front and rear housings must be oriented on the discharge side of the pump (see Page 18).



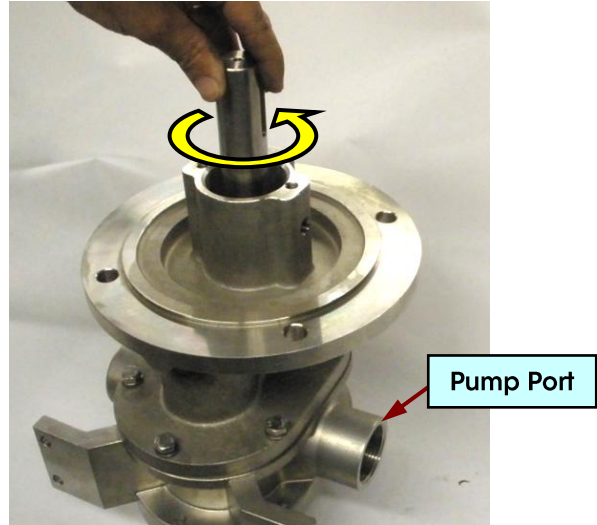
- 13** Install six housing bolts (14) with lock-washers (15); then tighten the bolts.

NOTE: Apply anti-seize compound to the bolts. Refer to **Appendix 1** for the torque specifications of the fasteners. When tightening the housing bolts, use a star pattern torque sequence on the fasteners to ensure even compression on the O-ring's surface. With Teflon (PTFE) O-rings, repeat this process several times, waiting between retightening. This is necessary because Teflon will cold flow and require a certain amount of time to properly seat. Continue the process until the bolts no longer require retightening.



- 14** Turn the drive shaft (20) by hand to ensure that the gears will rotate freely inside the housing.

NOTE: During this check, the gears can be viewed through the pump ports.



Installation of Seals:

- 15** The pump can have any one of three different types of seals installed. Install the appropriate seal by referring to the applicable section given in the table below:

Section	Seal Installation	Page #(s)	Reference Drawing	Page #
A	Packing Seal	22-23	Sectional #1	42
B	Single Internal Mechanical Seal	24-26	Sectional #2	43
C	Double Mechanical Seal	27-29	Sectional #3	44

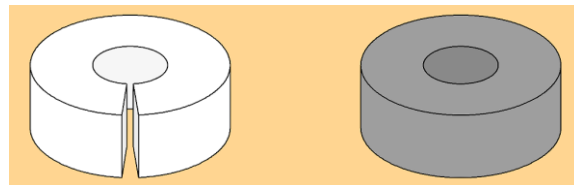
NOTE: After installing the seal, continue the assembly procedure on Page 30.

A: Packing Installation (Refer to Sectional Drawing #1 – Page 42)

Packing

The “stuffing box” section of the pump’s front housing requires five rings of packing and a lantern ring, positioned as shown in Sectional Drawing #1. The lantern ring allows grease or flush fluid to enter the pump and lubricate the packing. The standard packing material is braided Teflon, which is suitable for application temperatures up to 350°F. Above 350°F, Graphoil packing should be used.

The Teflon packing used in Liquiflo pumps has a split-ring design. Adjacent rings should be staggered by 180° to increase performance and minimize leakage. Graphoil packing has a solid-ring design and therefore does not require staggering.



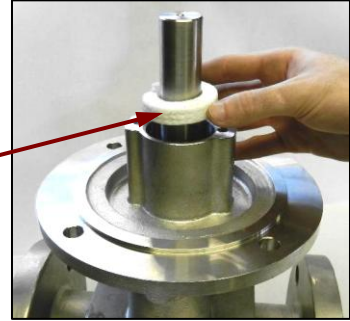
Teflon Packing Ring

Graphoil Packing Ring

- A1** Insert **three** packing rings (18) into the stuffing box of the front housing (8).

NOTE: For Teflon packing, stagger the splits in adjacent rings 180° apart.

Packing Ring

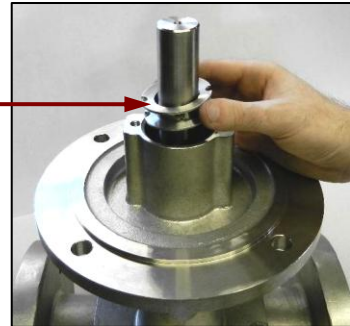


- A2** Install the lantern ring (11) into the stuffing box.

Lantern Ring

- A3** Install **two** additional packing rings (18) into the stuffing box.

NOTE: For Teflon packing, stagger the splits in adjacent rings 180° apart.



- A4** Install the gland plate (17) using two bolts (16). Loosely bolt the gland plate into position.



Caution!

Do not over-tighten the gland bolts.

NOTE: The packing compression must be adjusted during pump operation (see **Appendix 7**).



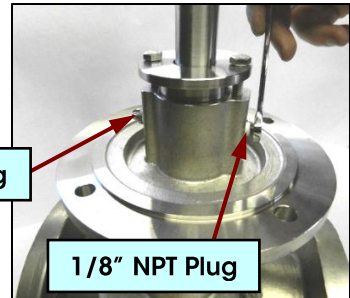
- A5** Install the grease fitting (25) into one of the ports of the front housing (8).

- A6** Install **one** 1/8" NPT plug (9) into the other port of the front housing (8).

Grease Fitting

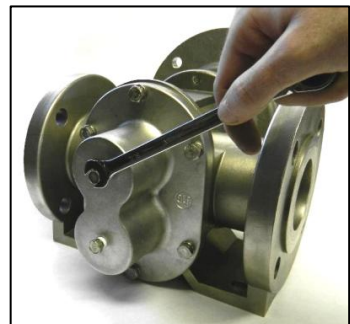
NOTE: Prior to installation, apply Teflon tape or pipe lubricant to the fitting and plug threads, to prevent leakage and galling.

1/8" NPT Plug



- A7** Install **two** 1/8" NPT plugs (9) into the rear housing (2).

NOTE: Prior to installation, apply Teflon tape or pipe lubricant to the plug threads.



CONTINUE ASSEMBLY PROCEDURE ON PAGE 30.

Precautions for Installation of Mechanical Seals (Applicable to Sections B & C)

- 1 If the drive shaft exhibits excessive wear, the shaft must be replaced.
- 2 Remove all burrs, scratch marks or high spots from the drive shaft before installing the mechanical seal. This will prevent damaging the seal wedge during installation of the seal. Damage to the seal wedge can cause the seal to leak.
- 3 Do not scratch or handle the lapped face of the seal.
- 4 A new mechanical seal is supplied with retaining clips covered by tape (see photo). The clips compress the seal springs, eliminating spring pressure on the seal wedge. To ease installation and to prevent damaging the wedge, do not remove the clips until after the seal is installed on the shaft. Once the clips are removed, the spring pressure will cause the wedge to seal against the shaft.
- 5 Do not reuse seal seat O-rings.

B: Single Internal Mechanical Seal Installation (Refer to Sectional Drawing #2 – Page 43)

B1



Caution!

Remove all burrs, scratches and high spots from the drive shaft prior to installation of the mechanical seal. Do not remove the retaining clips from the seal until after the seal is installed on the shaft.



Single Mechanical Seal

Slide the mechanical seal (11) on the drive shaft (20) with the seal face directed away from the housing, as shown in Sectional Drawing #2; then remove the tape and retaining clips from the seal.

B2 Install O-ring (18) onto outer seal seat (25); then lubricate the O-ring.



Caution!

Do not reuse O-rings.

O-ring

NOTE: Use a lubricant that is compatible with the elastomer and fluid that will be pumped.



- B3** Insert outer seal seat (25) into the gland plate (17).

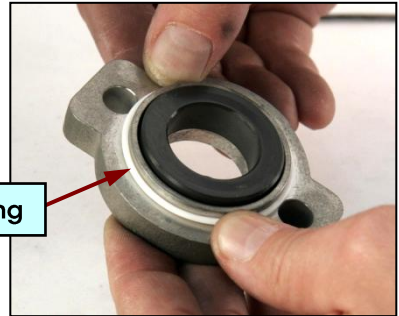
NOTE: The outboard seal seat is lapped on both sides so orientation into the gland plate does not matter.



- B4** Install the gland plate O-ring (10).

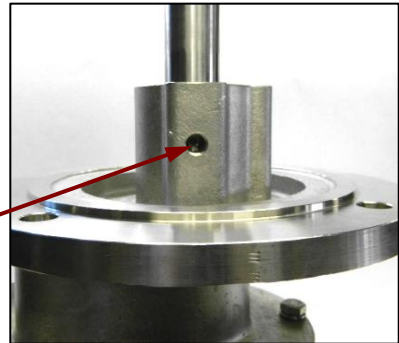


O-ring



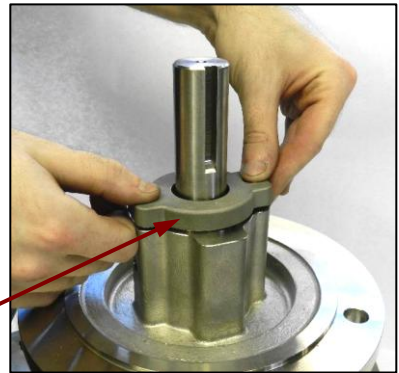
- B5** Push the mechanical seal (11) into the seal chamber and position the seal so that the setscrews are accessible thru the 1/8" NPT ports on the sides of the front housing (8).

Setscrew of
Mechanical Seal
aligned with Port



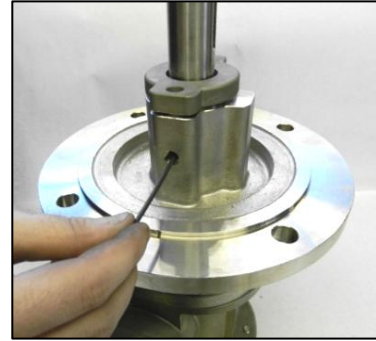
- B6** Lightly tighten one setscrew on the seal body; then test the seal compression by pressing the seal seat inside the gland plate against the seal face inside the front housing. **The compression gap should be approximately 1/16" (1.6 mm).** If necessary, loosen the setscrew and reposition the seal on the drive shaft to attain the proper compression distance.

Gland Plate with
Seal Seat & O-ring



- B7** After the mechanical seal is properly positioned on the drive shaft, tighten **all** setscrews on the seal body.

NOTE: Rotate the shaft in steps to access each setscrew thru one of the side 1/8" NPT ports.



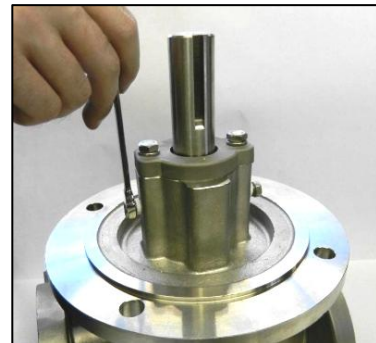
- B8** Install the gland plate (17) to the front housing (8) using two sets of bolts (16) and lockwashers (19).

NOTE: See **Appendix 1** for the torque specifications of the gland bolts.



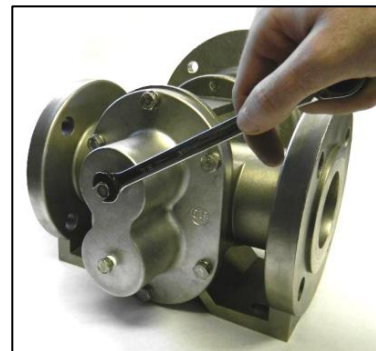
- B9** Install **two** 1/8" NPT plugs (9) into the front housing (8).

NOTE: Prior to installation, apply Teflon tape or pipe lubricant to the plug threads, to prevent leakage and galling.



- B10** Install **two** 1/8" NPT plugs (9) into the rear housing (2).

NOTE: Prior to installation, apply Teflon tape or pipe lubricant to the plug threads.



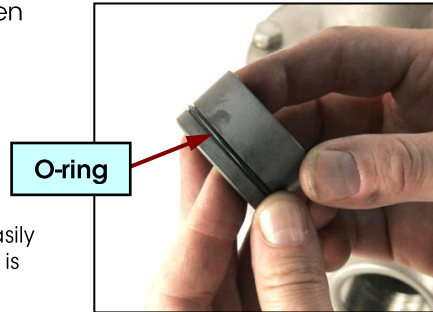
CONTINUE ASSEMBLY PROCEDURE ON PAGE 30.

C: Double Mechanical Seal Installation (Refer to Sectional Drawing #3 – Page 44)

C1 Install O-ring (27) onto inner seal seat (26); then lubricate the O-ring.

 **Caution!**
Do not reuse O-rings.

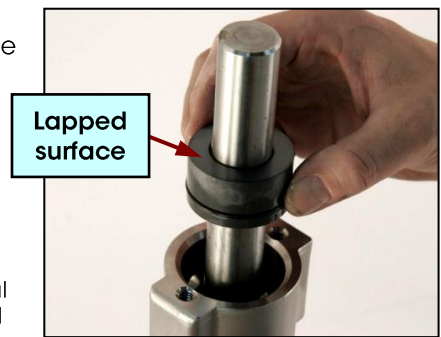
NOTE: The lubricant will allow the seal seat to be easily installed into the front housing. Use a lubricant that is compatible with the elastomer and fluid that will be pumped.



C2 Slide the inner seal seat (26) over the drive shaft (20) and then carefully press it into place inside the front housing (8).

 **Caution!**
The lapped surface of the Seal Seat must face the Mechanical Seal.

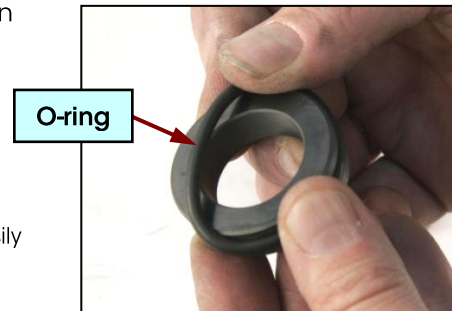
NOTE: The lapped (polished) surface of the inboard seal seat must be facing outward when installed into the seal chamber. A rigid plastic tube can be used to press the seal seat into position inside the seal chamber.



C3 Install O-ring (18) onto outer seal seat (25); then lubricate the O-ring.

 **Caution!**
Do not reuse O-rings.

NOTE: The lubricant will allow the seal seat to be easily installed into the gland plate. Use a lubricant that is compatible with the elastomer and fluid that will be pumped.



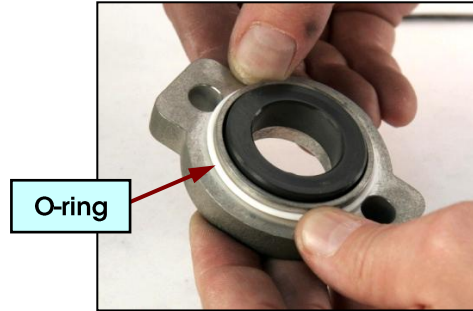
C4 Insert the outer seal seat (25) into the gland plate (17).

NOTE: The outboard seal seat is lapped on both sides so orientation into the gland plate does not matter.




C5 Install gland plate O-ring (10).

 **Caution!**
Do not reuse O-rings.



C6

 **Caution!**
Remove all burrs, scratches and high spots from the drive shaft prior to installation of the mechanical seal. Do not remove the retaining clips from the seal until after the seal is installed on the shaft.

Slide the double mechanical seal (11) on the drive shaft (20); then remove the tape and retaining clips.

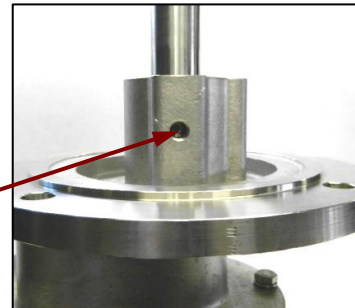


Double Mechanical Seal

NOTE: The double mechanical seal is symmetrical, so the seal faces can be oriented either way.

C7 Slide the double mechanical seal into the seal chamber and position the seal so that the setscrews are accessible thru the 1/8" NPT ports of the front housing (8).

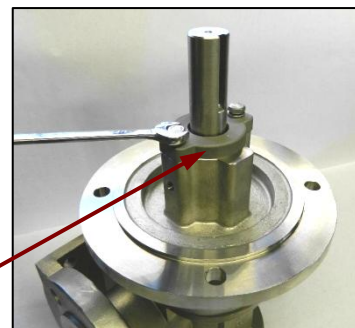
Setscrew of Mechanical Seal aligned with Port



C8 Install the gland plate (17) to the front housing using two bolts (16) with lockwashers (19).

NOTE: Be certain the gland plate has the outer seal seat (25) and O-ring (18) installed. The double mechanical seal will self-position once the gland plate is installed. See **Appendix 1** for the torque specifications of the gland bolts.

Gland Plate with Seal Seat & O-ring

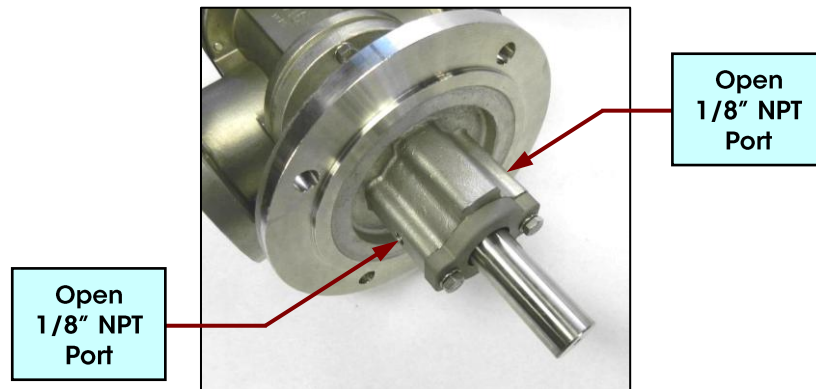


- C9** Tighten **all** setscrews on the body of the double mechanical seal (11).

NOTE: Rotate the shaft in steps to access each setscrew through the side 1/8" NPT port.



- C10** Leave the two 1/8" NPT ports located on the sides of the front housing (8) open at this time.



NOTE: The two 1/8" NPT ports on the sides of the front housing must be connected to the *barrier fluid lubrication system* for supporting the double mechanical seal during pump operation (see **Appendix 7**). Prior to installation of the pipes, apply Teflon tape or pipe lubricant to the pipe threads, to prevent leakage and galling.

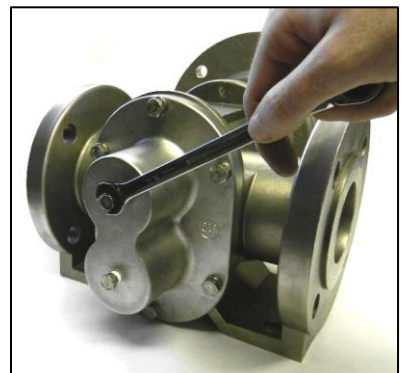


Caution!

Failure to properly support the Double Mechanical Seal during pump operation will result in premature seal wear and leakage.

- C11** Install **two** 1/8" NPT plugs (9) into the rear housing (2).

NOTE: Prior to installation, apply Teflon tape or pipe lubricant to the plug threads.



CONTINUE ASSEMBLY PROCEDURE ON PAGE 30.

ASSEMBLY PROCEDURE, CONTINUED:**Installation of Pump to Motor:**

- 16** Install the motor key and coupling flange (29) on the motor shaft.

NOTE: The keyway of the coupling flange should engage the motor key. Do not fully tighten the coupling setscrews (31) at this time.

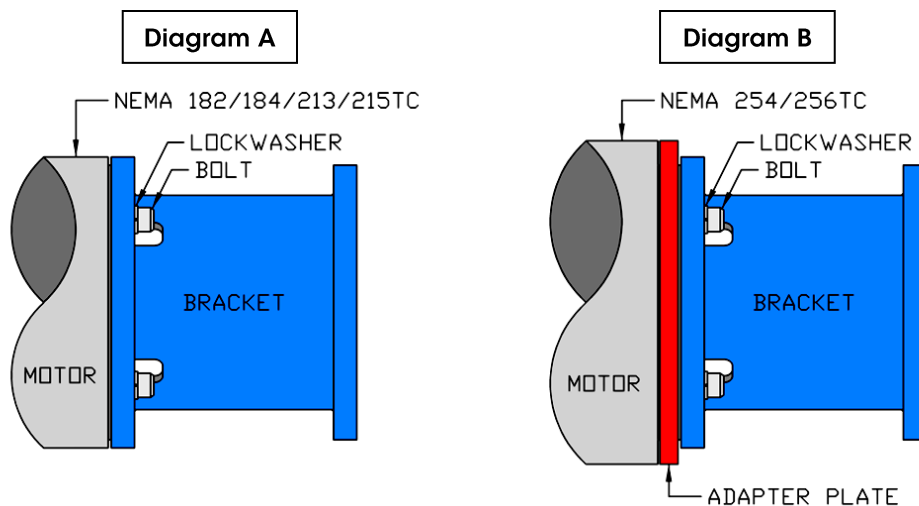
- 17** Install the coupling key (28) and coupling flange (29) on the pump drive shaft (20).

NOTE: The keyway of the coupling flange should engage the coupling key. Do not fully tighten the coupling setscrews (31) at this time.

- 18** Install the pump mounting bracket to the motor as explained below:

- (a) **NEMA 182TC, 184TC, 213TC & 215TC Motor Frames:** Install the bracket (32) to the motor C-face using four sets of bolts (37) and lockwashers (38). (See **Diagram A.**)
- (b) **NEMA 254TC & 256TC Motor Frames:** Position the **adapter plate** (39) on the motor C-face. Then install the bracket (32) to the motor using four sets of bolts (37) and lockwashers (38). (See **Diagram B.**)
- (c) **IEC 100 & 112 (B5 Flange) Motor Frames:** Install the bracket (32) to the B5 Flange of the motor using four sets of bolts (37), nuts and lockwashers (38).
- (d) **IEC 132 (B5 Flange) Motor Frames:** Install the **adapter plate** (39) to the B5 Flange of the motor using four sets of bolts, nuts and lockwashers. Then install the bracket (32) to the adapter using four sets of bolts (37) and lockwashers (38).

NOTE: See **Appendix 1** for the sizes and torque specifications of the bracket and adapter mounting bolts.



19 Install the **sealed pump module** to the mounting bracket (32) using four sets of bolts (35) and lockwashers (36). (See photo below.)

20 Remove the door screws (34) from the mounting bracket (32) and then remove the door (33).

21 Install the flexible coupling insert (30) between the coupling flanges (29).

NOTE: Each coupling flange should engage its respective shaft by at least one shaft diameter. The flexible coupling insert should be free to move axially, a distance of 1/16 to 1/8 inches.



Caution!

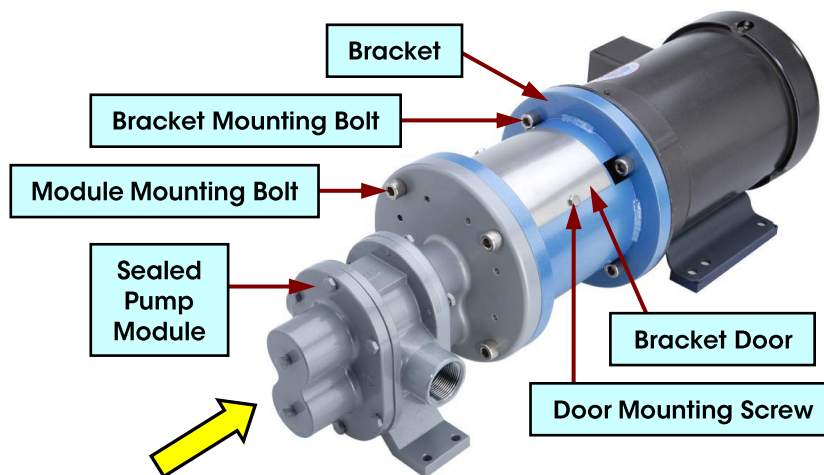
The flexible coupling must be free to move or axial loads will be applied to the pump during operation, which can cause premature pump failure.

22 Once the mechanical coupling (29 & 30) has been properly positioned on the shafts (as explained above), tighten the coupling setscrews (31).

23 Pump with Double Mechanical Seal only: Install the support piping for the double mechanical seal thru the bracket ports and into the open 1/8" NPT ports on the sides of the front housing (8).

NOTE: Apply Teflon tape or pipe lubricant to the pipe threads prior to installation. See cautionary statement in **Step 15-C10** and **Appendix 7** for more information on the Double Mechanical Seal.

24 Install the stainless steel door (33) to the bracket (32) using two screws (34).



**Model H12 Sealed Pump shown with Threaded Ports
& Close-Coupled to NEMA C-Face Motor**

END OF ASSEMBLY PROCEDURE

Appendix 1: Fastener Torque Specifications**Maximum Torque Specifications for 18-8 Stainless Steel Bolts**







Function	Bolt Size	Bolt Type	Quantity (per Pump)	Max Torque Specifications	
				(in-lbs)	(N-m)
Housing Assembly	5/16-18 UNC x 1	HHCS	12	132	14.9
Gland Plate Assembly	5/16-18 UNC x 1	HHCS	2	132	14.9
Housing-Bracket Assembly	1/2-13 UNC x 1-1/4	SHCS	4	517	58.4
BOLTS for MOTOR-BRACKET ASSEMBLY					
Motor ¹ -Bracket Assembly	1/2-13 UNC x 1-3/8	SHCS	4	517	58.4
Motor ² -Adapter-Bracket Assembly	1/2-13 UNC x 2-3/4	SHCS	4	517	58.4
Motor ³ -Bracket Assembly	1/2-13 UNC x 2	SHCS	4	517	58.4
Motor ⁴ -Adapter Assembly	1/2-13 UNC x 1-1/2	SHCS	4	517	58.4
Adapter ⁴ -Bracket Assembly	1/2-13 UNC x 1-1/4	SHCS	4	517	58.4

- 1** - NEMA182TC, 184TC, 213TC & 215TC motor frames
2 - NEMA 254TC & 256TC motor frames
3 - IEC 100 & 112 (B5) motor frames
4 - IEC 132 (B5) motor frame

HHCS = Hex Head Cap Screw
 SHCS = Socket Head Cap Screw

Appendix 2: Maintenance Tool List







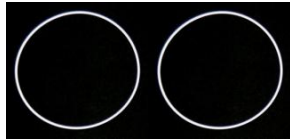
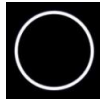



The following tools (or equivalents) are required when performing maintenance on the pumps:

Tool #	Tool	Function	Photo
1	Wrench, 1/2"	For pump housing bolts and gland plate bolts.	
2	Wrench, 7/16"	For 1/8" NPT plugs and grease fitting.	
3	Allen Wrench, 3/8" Hex	For bracket mounting bolts and cartridge mounting bolts.	
4	Allen Wrench, 3/32" Hex	For mechanical seal setscrews.	
5	Pointed & Hooked Tool	Pointed: For removal of retaining rings from drive and idler shafts. Hooked: For removal of bearings from front and rear housings, and packing rings from front housing.	
6	Rubber Mallet *	For installation of retaining rings on drive and idler shafts.	

* Required for gear-shaft assembly (see **Appendix 5**).

Appendix 3: Repair Kits

The following components are included in a standard Liquiflo Sealed Pump Repair Kit:

Item #	Repair Kit Component	Quantity	Photo
1	Drive Gear-Shaft Assembly	1 (Includes Gear, Drive Shaft, Key & 2 Retaining Rings)	
2	Idler Gear-Shaft Assembly	1 (Includes Gear, Idler Shaft, Key & 2 Retaining Rings)	
3	Wear Plates (Relieved Type)	4	
4	Bearings (Sleeve Type)	4	
5	Pins, Bearing Lock	4	
6	Pins, Housing Alignment	4	
7	O-rings, Housing (2-047)	2	
8	O-ring, Gland Plate (2-032)	1	
9	Mechanical Seal or Packing Rings	1 or 5	
10	Seal Seat, Outer with O-ring (2-222)	1 (Included with Single or Double Mechanical Seals)	
11	Seal Seat, Inner with O-ring (2-030)	1 (Included with Double Mechanical Seal only)	

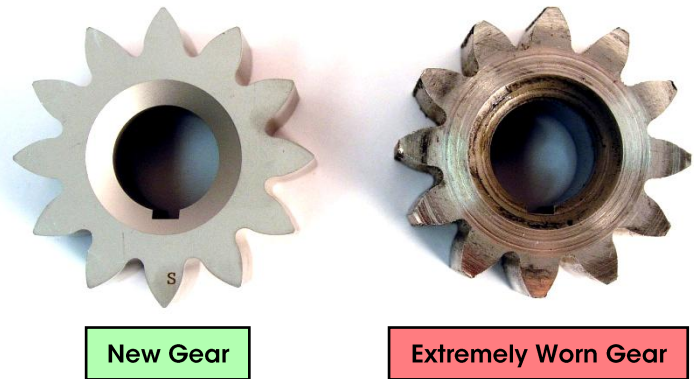
Note: To order a Repair Kit for an existing Mag-drive pump, simply place a **"K"** in front of the Pump's Model Number to designate the **Kit Order Number**. Example: **KH12FS6PEEU100065**. Using this ordering number will ensure that the kit component materials will match those used in the pump.

Appendix 4: Wear Allowances

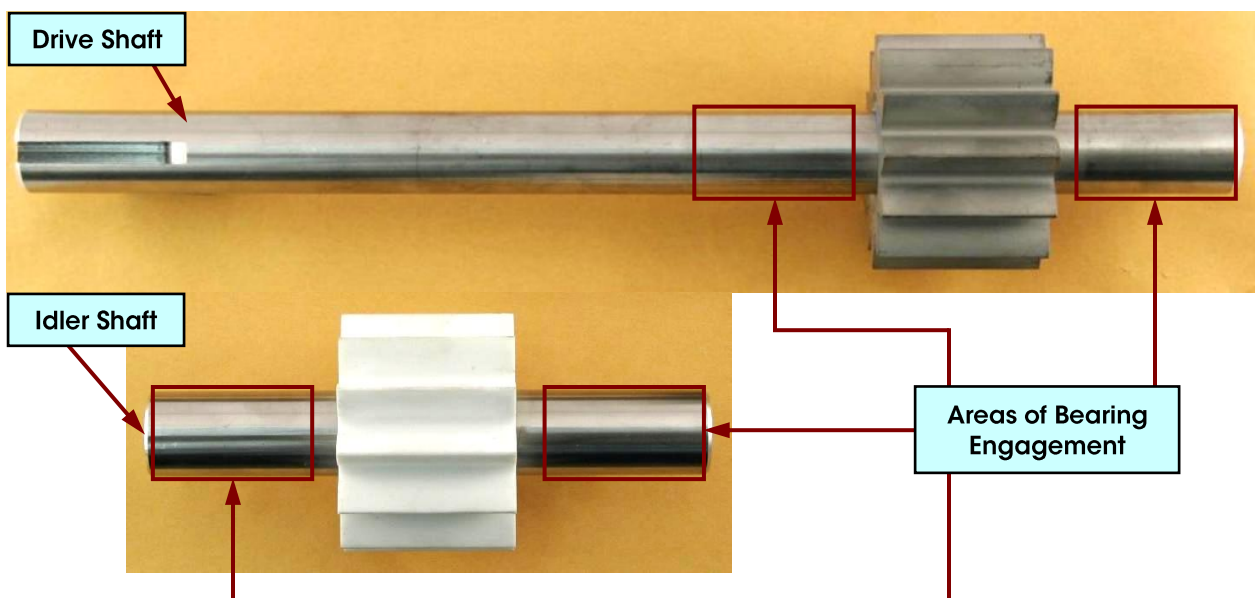
When a pump requires maintenance, a convenient way to restore the pump to like-new condition is to use a repair kit. The repair kit contains all *internal wear parts* as well as O-rings, retaining rings, bearing lock pins, housing alignment pins and keys.

In some cases, only certain parts may need to be replaced. The primary wear parts of the pump are the gears, shafts, wear plates and bearings. The center housing (secondary wear part) may also incur physical wear by contact with the gears caused by excessively worn bearings. (Note: the center housing is not included in a standard repair kit.) These wear parts can be reused if they are in acceptable condition. O-rings and retaining rings should not be reused. The following used parts should be inspected and evaluated for reuse based on the specifications given in the **Wear Allowances Chart** (see Page 37):

Gears: Spur gears should have a uniform tooth profile on both the leading and trailing edges. If the outer diameter of the gear is worn, pumping performance will degrade. Gears with minor wear should be evaluated for reuse by measuring the outer diameter and comparing it to the minimum diameter specification given in the Wear Allowances Chart. Gears with obvious major wear, such as flattened teeth or other significant wear on the profile, should be replaced (see photo at right).

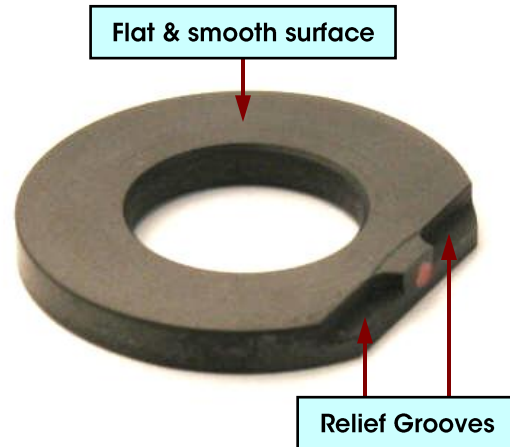


Shafts: The area of the shaft that is engaged in the bearings will wear over time depending on the service conditions and the materials of construction (see photo below). Hard-coated shafts are available to minimize or eliminate wear of the shaft surfaces. Worn shafts may allow the gears to contact the center housing and accelerate both gear and center housing wear. The shaft journal area should be round and have a minimum diameter as specified in the Wear Allowances Chart.

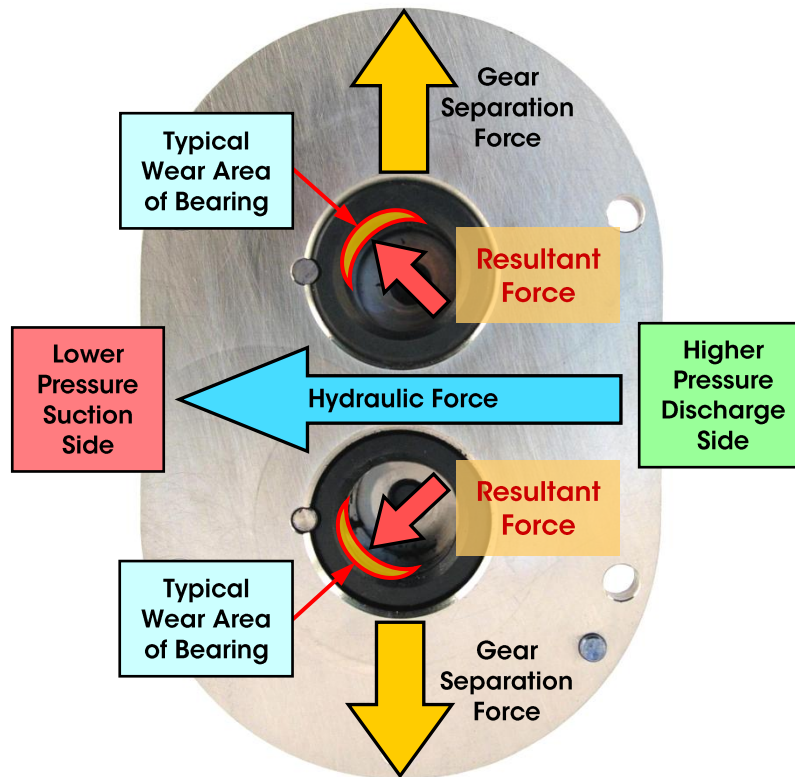


Appendix 4: Wear Allowances (Continued)

Wear Plates: This is a sacrificial part of the pump designed to protect the front and rear housings from wear by continual contact with the sides of the gears. Erosion of the wear plates increase clearances causing slip to increase. This results in a reduction in pump performance. Wear plates should have smooth surfaces and meet the minimum thickness requirements given in the Wear Allowances Chart. (Note: Standard Liquiflo wear plates are manufactured with cut-outs or relief grooves to minimize hydraulically-induced gear separation forces. These *relieved wear plates* increase pump life by reducing loads on bearings and shafts. A typical relieved wear plate is shown at right.)



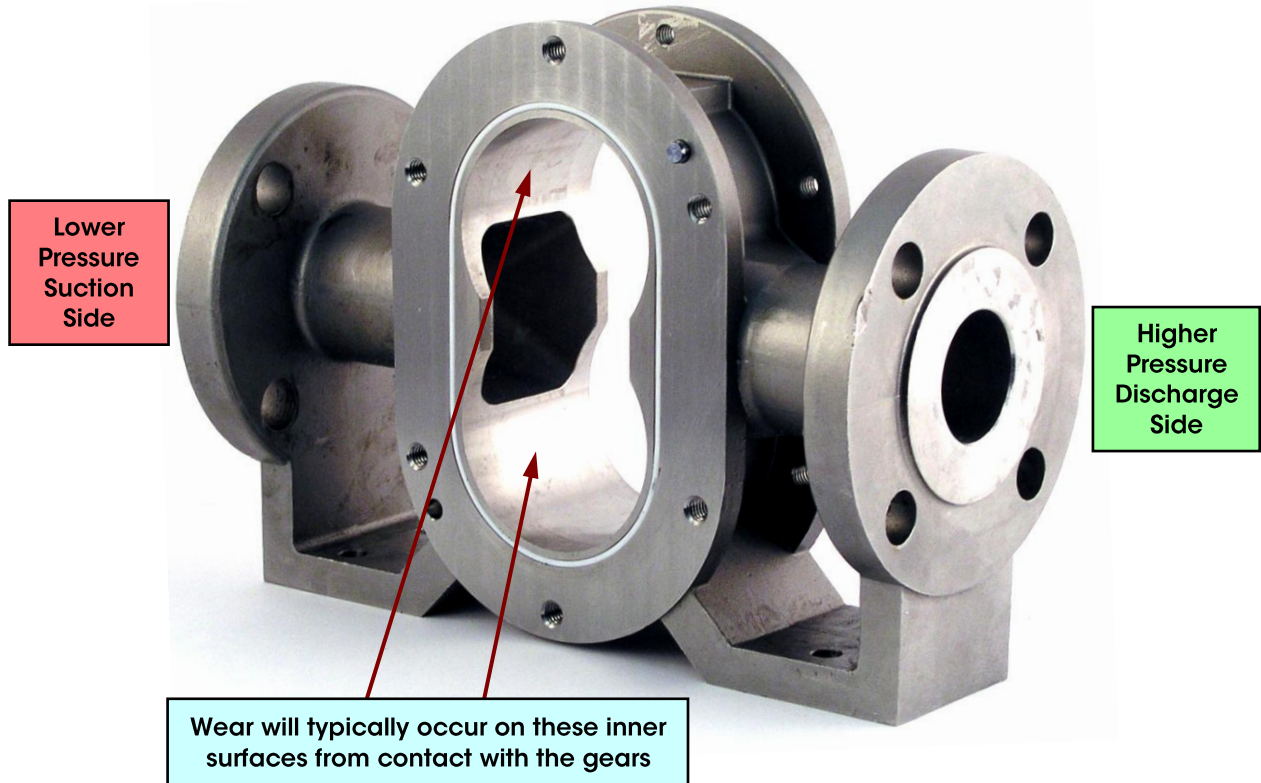
Bearings: The H-Series pumps use sleeve-type bearings that are also known as *journal bearings*. These bearings are designed to support the shafts and precisely position the gears inside the housing. Worn bearings will eventually allow the rotating gears to contact the center housing, causing wear and eventual failure of both of these components. (The typical wear mechanism of the bearings is described below.) If any wear of the bearings is observed, they should be replaced. The Wear Allowances Chart gives the maximum inner diameter that is acceptable for worn bearings.



Typical Wear Mechanism of Bearings

Appendix 4: Wear Allowances (Continued)

Center Housing: The typical failure mode for the center housing is from contact with the rotating gears, caused by extreme wear of the bearings and shafts. Evidence of contact or slight wear on the inside surfaces can be expected. However, if deep grooves or excessive wear is observed, the center housing should be replaced. (See photo below for the typical wear areas of the center housing.) Reusing an excessively worn center housing in a rebuilt pump will cause the pump performance to be lower than expected because of increased slip.



Wear Allowances Chart (Units: inches)

Pump Model	Gears		Shafts		Wear Plates		Bearings	
	Nom. O.D.	Min O.D.	Nom. O.D.	Min O.D.	Nom. Thick.	Min Thick.	Nom. I.D.	Max I.D.
H12R	2.790	2.781	1.125	1.122	0.500	0.496	1.125	1.128
H12F & H14F	2.790	2.781	1.125	1.122	0.250	0.246	1.125	1.128

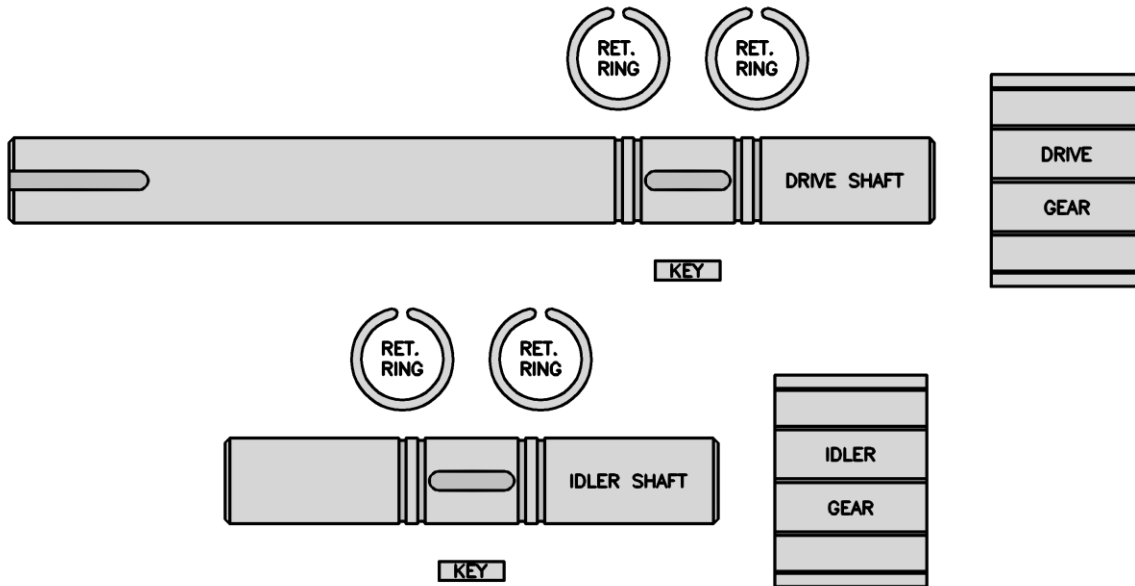
O.D. = Outer Diameter I.D. = Inner Diameter

NOTE: All diameter values listed in the above table are based on standard (untrimmed) parts. Parts requiring viscosity or temperature trims will have dimensions based on the application. Consult factory.

Appendix 5: Gear-Shaft Assembly

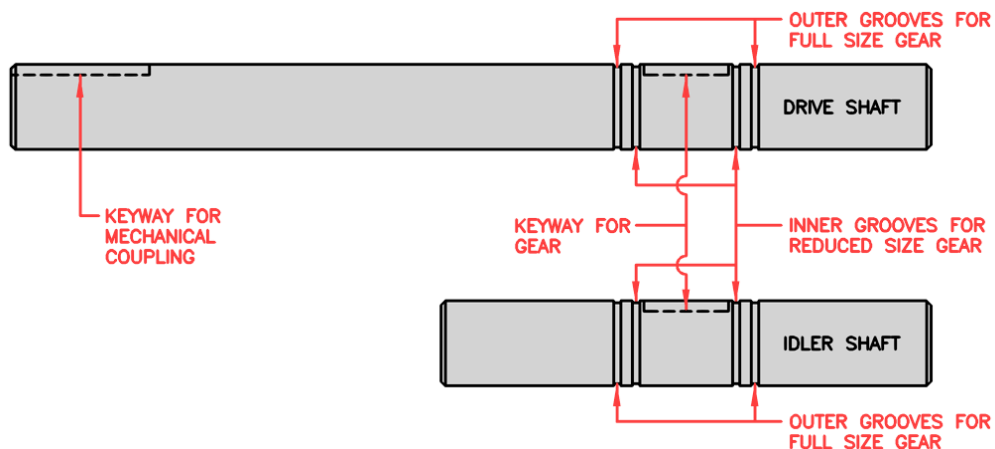
Parts List for Gear-Shaft Assemblies

Drive Gear-Shaft Parts		Idler Gear-Shaft Parts	
Part	Quantity	Part	Quantity
Drive Gear	1	Idler Gear	1
Drive Shaft	1	Idler Shaft	1
Key	1	Key	1
Retaining Ring	2	Retaining Ring	2



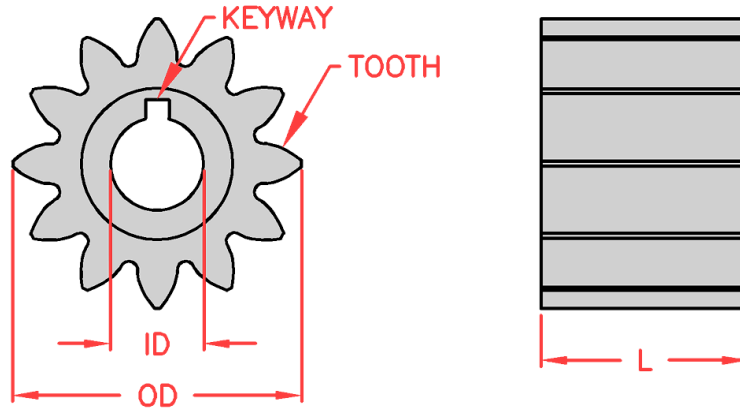
Description of Parts:

Shafts: The pump contains two kinds of shafts: the *drive shaft* and the *idler shaft*. Both shafts have retaining ring grooves and a keyway for positioning the gears. The drive shaft also has a keyway on one end for installing the mechanical coupling. The H12 shafts have two sets of retaining ring grooves to position either full (F) or reduced (R) size gears (see diagram below). The H14F shafts have one set of grooves. Dimensional data for the shafts is given on Page 39.



Appendix 5: Gear-Shaft Assembly (Continued)

Gears: The H-Series pumps use spur style gears as shown in the diagram below. Dimensional data for the gears is given in the following chart.



Dimensional Data for Gears & Shafts (Units: inches)

Part	Part Dimension	Pump Models		
		H12R	H12F	H14F
Gear (Drive or Idler)	Outer Diameter (OD)	2.79	2.79	2.79
	Inner Diameter (ID)	1-1/8	1-1/8	1-1/4
	Length (L)	1.50	2.00	4.00
	# of Teeth	12	12	12
Drive Shaft	Diameter	1-1/8		1-1/4
	Length	12.20		14.20
	# of Gear Retaining Ring Grooves	4		2
Idler Shaft	Diameter	1-1/8		1-1/4
	Length	6.50		8.50
	# of Gear Retaining Ring Grooves	4		2

Keys: Rectangular gear keys are used for the H12 and H14 pumps. (The key profiles are shown at right in actual size.)

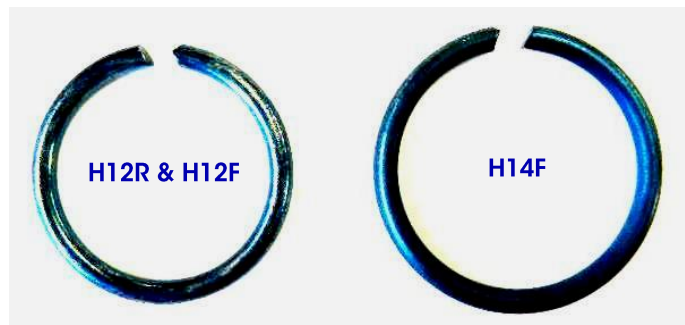
H12R & H12F



H14F



Retaining Rings: The retaining rings are used to position the gears on the shafts. They should always be replaced when repairing the pump. (The retaining rings for the H12-H14 pumps are shown at right in actual size.)



Appendix 5: Gear-Shaft Assembly (Continued)

Gear-Shaft Assembly Procedure:

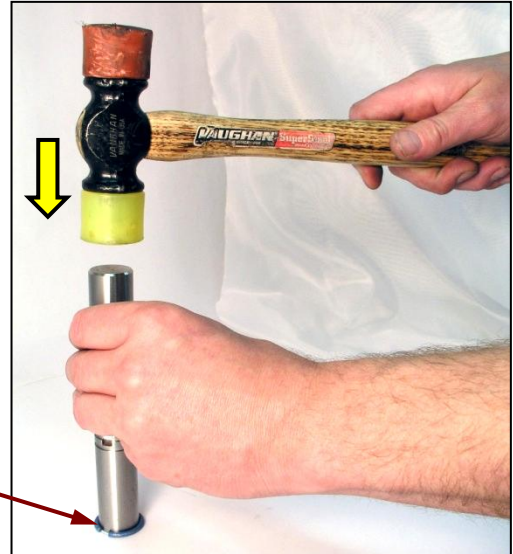


Caution!

Be careful not to damage the shafts.

- 1 Place the first retaining ring (4) on a firm but soft surface and then place the shaft (1 or 20) over the retaining ring, as shown.

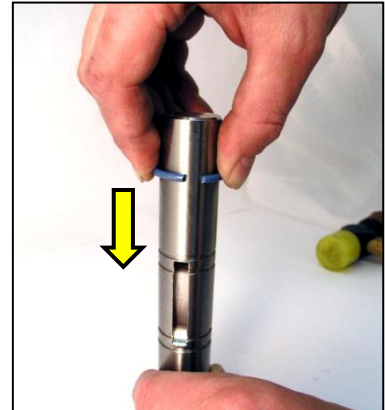
- 2 Strike the top end of the shaft with a rubber mallet to force the retaining ring onto the bottom end of the shaft.



First Retaining Ring

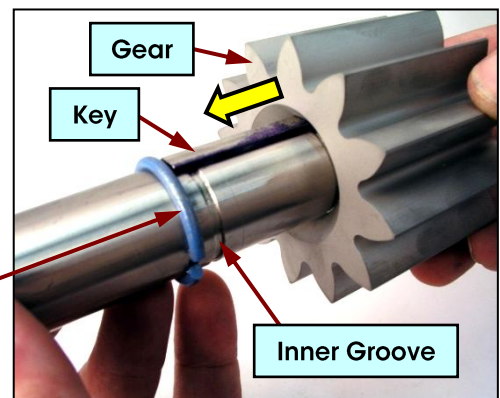
- 3 Push the retaining ring into the outer groove if a full (F) size gear will be installed or the inner groove if a reduced (R) size gear will be installed.

NOTE: The installation of a Model H12F or 312F gear will be shown.



- 4 Install the key (24 or 23) on the shaft (1 or 20); then install the gear (6 or 22) so that it engages the key and contacts the retaining ring (4).

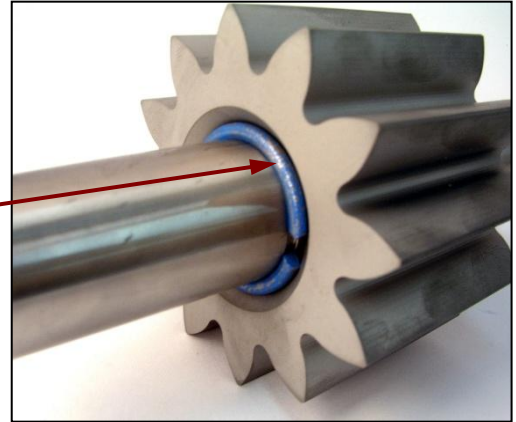
First Retaining Ring installed in Outer Groove for Model H12F or 312F Gear



Appendix 5: Gear-Shaft Assembly (Continued)

- 5 While holding the gear in place, force the second retaining ring (4) onto the vacant end of the shaft by striking the opposite end of the shaft with a rubber mallet.

Second Retaining Ring installed in remaining Outer Groove for Model H12F or 312F Gear



- 6 Slide the retaining ring into the vacant outer groove if a full (F) size gear was installed or the vacant inner groove if a reduced (R) size gear was installed. (This will lock the gear on the shaft.)

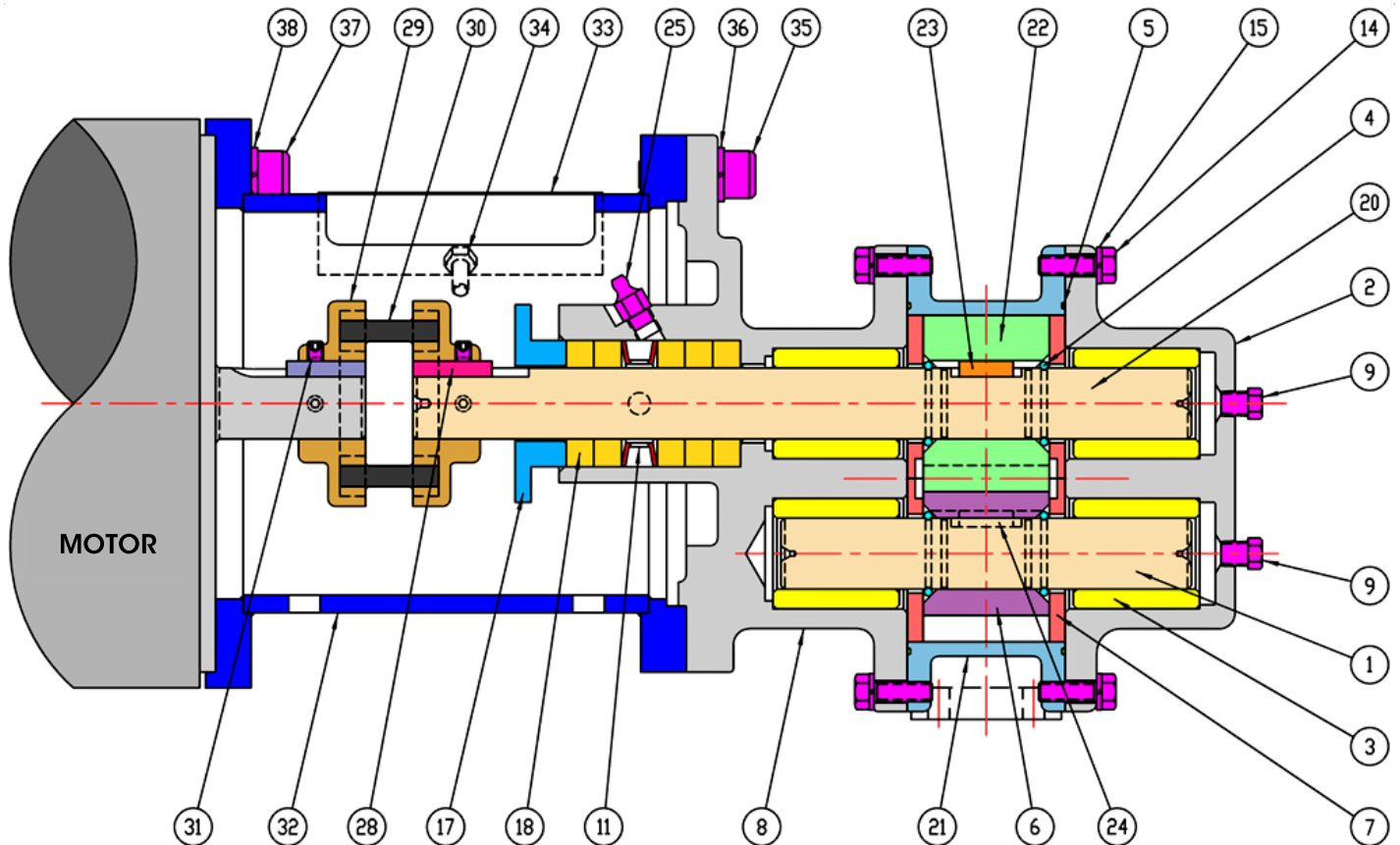
- 7 Pull the gear by hand along the axis of the shaft to make sure it is securely locked into position.



END OF PROCEDURE

Appendix 6: Reference Drawings

Sectional Drawing #1 – Pump with PACKING SEAL



Ref. #	Description	Qty.	Ref. #	Description	Qty.
1	Idler Shaft	1	21	Center Housing	1
2	Rear Housing	1	22	Drive Gear	1
3	Bearing	4	23	Key, Drive Gear	1
4	Retaining Ring, Gear	4	24	Key, Idler Gear	1
5	O-ring, Housing	2	25	Grease Fitting	1
6	Idler Gear	1	26	N/A	—
7	Wear Plate	4	27	N/A	—
8	Front Housing	1	28	Key, Mechanical Coupling	1
9	Plug, 1/8 NPT	4 [▲]	29	Coupling Flange	2
10	N/A	—	30	Coupling Insert	1
11	Lantern Ring	1	31	Coupling Setscrew	1
12	Pin, Housing Alignment *	4	32	Bracket, Mounting	1
13	Pin, Bearing Lock *	4	33	Door, Bracket	1
14	Bolt, Housing (5/16-18 x 1 HHCS)	12	34	Screw, Door/Bracket (1/4-20 x 5/8 HHCS)	2
15	Lockwasher, Housing (5/16)	12	35	Bolt, Front Hsg. (1/2-13 x 1-1/4 SHCS)	4
16	Bolt, Gland (5/16-18 x 1 HHCS) *	2	36	Lockwasher, Front Housing (1/4)	4
17	Gland Plate	1	37	Bolt, Motor (1/2-13 x L SHCS) **	4
18	Packing Ring	5	38	Lockwasher, Motor (1/2)	4
19	N/A	—	39	Adapter Plate for NEMA 254/256TC & IEC 132 (B5) Motor Frames *	1
20	Drive Shaft	1			

* Item not shown.

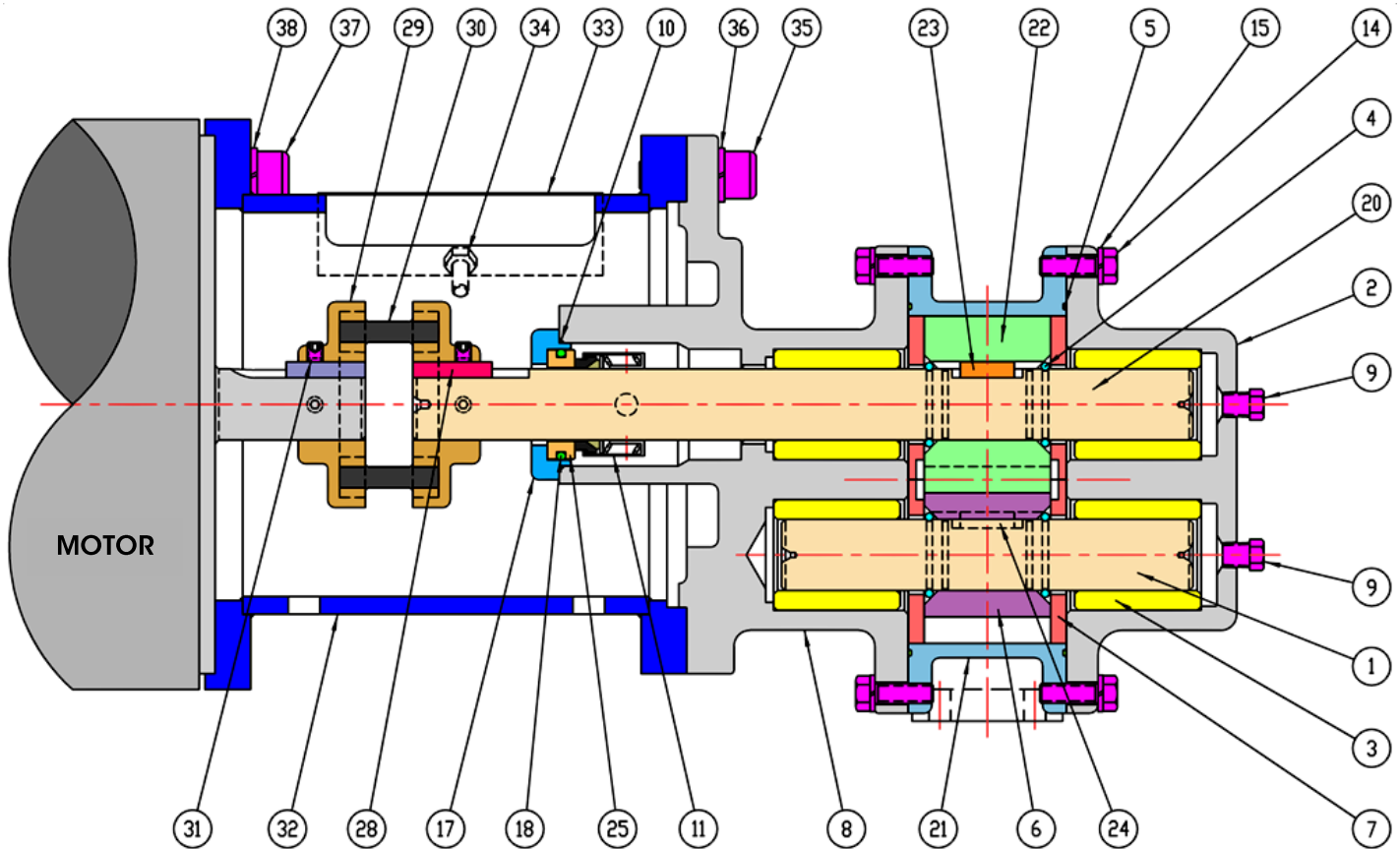
** Bolt length (L) depends on motor frame (see Page 32).

[▲] Two plugs on opposite sides of stuffing box are not shown.

NOTE: For Liquiflo Part Numbers, refer to H12 or H14 Consolidated Bill of Materials (BOM).

Appendix 6: Reference Drawings (Continued)

Sectional Drawing #2 – Pump with SINGLE INTERNAL MECHANICAL SEAL



Ref. #	Description	Qty.	Ref. #	Description	Qty.
1	Idler Shaft	1	21	Center Housing	1
2	Rear Housing	1	22	Drive Gear	1
3	Bearing	4	23	Key, Drive Gear	1
4	Retaining Ring, Gear	4	24	Key, Idler Gear	1
5	O-ring, Housing	2	25	Seal Seat, Outer	1
6	Idler Gear	1	26	N/A	—
7	Wear Plate	4	27	N/A	—
8	Front Housing	1	28	Key, Mechanical Coupling	1
9	Plug, 1/8 NPT	4 [▲]	29	Coupling Flange	2
10	O-ring, Gland Plate	1	30	Coupling Insert	1
11	Single Mechanical Seal	1	31	Coupling Setscrew	1
12	Pin, Housing Alignment *	4	32	Bracket, Mounting	1
13	Pin, Bearing Lock *	4	33	Door, Bracket	1
14	Bolt, Housing (5/16-18 x 1 HHCS)	12	34	Screw, Door/Bracket (1/4-20 x 5/8 HHCS)	2
15	Lockwasher, Housing (5/16)	12	35	Bolt, Front Hsg. (1/2-13 x 1-1/4 SHCS)	4
16	Bolt, Gland (5/16-18 x 1 HHCS) *	2	36	Lockwasher, Front Housing (1/4)	4
17	Gland Plate	1	37	Bolt, Motor (1/2-13 x L SHCS) **	4
18	O-ring, Seal Seat, Outer	1	38	Lockwasher, Motor (1/2)	4
19	Lockwasher, Gland (5/16) *	2	39	Adapter Plate for NEMA 254/256TC & IEC 132 (B5) Motor Frames *	1
20	Drive Shaft	1			

* Item not shown.

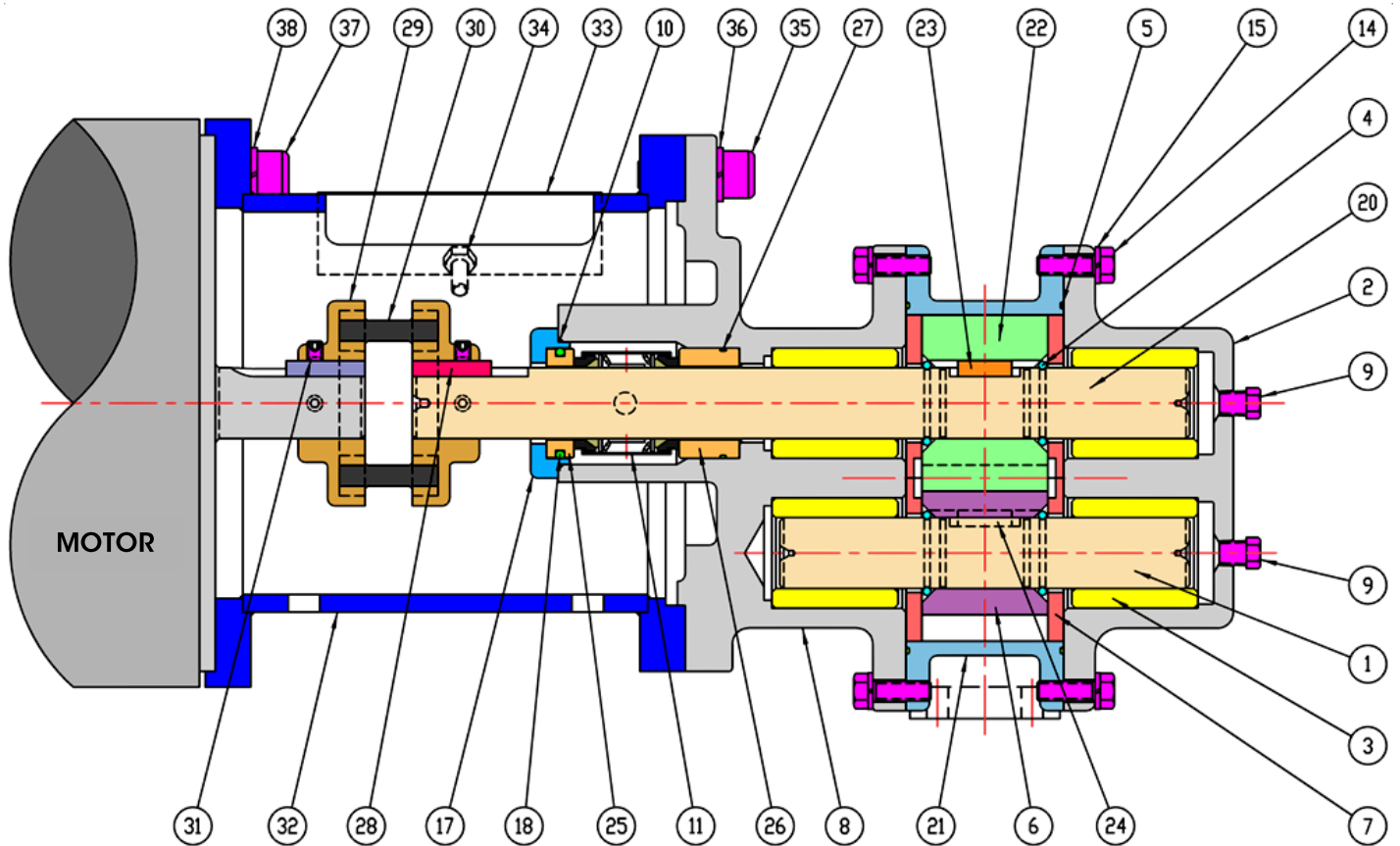
** Bolt length (L) depends on motor frame (see Page 32).

[▲] Two plugs on opposite sides of seal chamber are not shown.

NOTE: For Liquiflo Part Numbers, refer to H12 or H14 Consolidated Bill of Materials (BOM).

Appendix 6: Reference Drawings (Continued)

Sectional Drawing #3 - Pump with DOUBLE MECHANICAL SEAL



Ref. #	Description	Qty.	Ref. #	Description	Qty.
1	Idler Shaft	1	21	Center Housing	1
2	Rear Housing	1	22	Drive Gear	1
3	Bearing	4	23	Key, Drive Gear	1
4	Retaining Ring, Gear	4	24	Key, Idler Gear	1
5	O-ring, Housing	2	25	Seal Seat, Outer	1
6	Idler Gear	1	26	Seal Seat, Inner	1
7	Wear Plate	4	27	O-ring, Seal Seat, Inner	1
8	Front Housing	1	28	Key, Mechanical Coupling	1
9	Plug, 1/8 NPT	2	29	Coupling Flange	2
10	O-ring, Gland Plate	1	30	Coupling Insert	1
11	Double Mechanical Seal	1	31	Coupling Setscrew	1
12	Pin, Housing Alignment *	4	32	Bracket, Mounting	1
13	Pin, Bearing Lock *	4	33	Door, Bracket	1
14	Bolt, Housing (5/16-18 x 1 HHCS)	12	34	Screw, Door/Bracket (1/4-20 x 5/8 HHCS)	2
15	Lockwasher, Housing (5/16)	12	35	Bolt, Front Hsg. (1/2-13 x 1-1/4 SHCS)	4
16	Bolt, Gland (5/16-18 x 1 HHCS) *	2	36	Lockwasher, Front Housing (1/4)	4
17	Gland Plate	1	37	Bolt, Motor (1/2-13 x L SHCS) **	4
18	O-ring, Seal Seat, Outer	1	38	Lockwasher, Motor (1/2)	4
19	Lockwasher, Gland (5/16) *	2	39	Adapter Plate for NEMA 254/256TC & IEC 132 (B5) Motor Frames *	1
20	Drive Shaft	1			

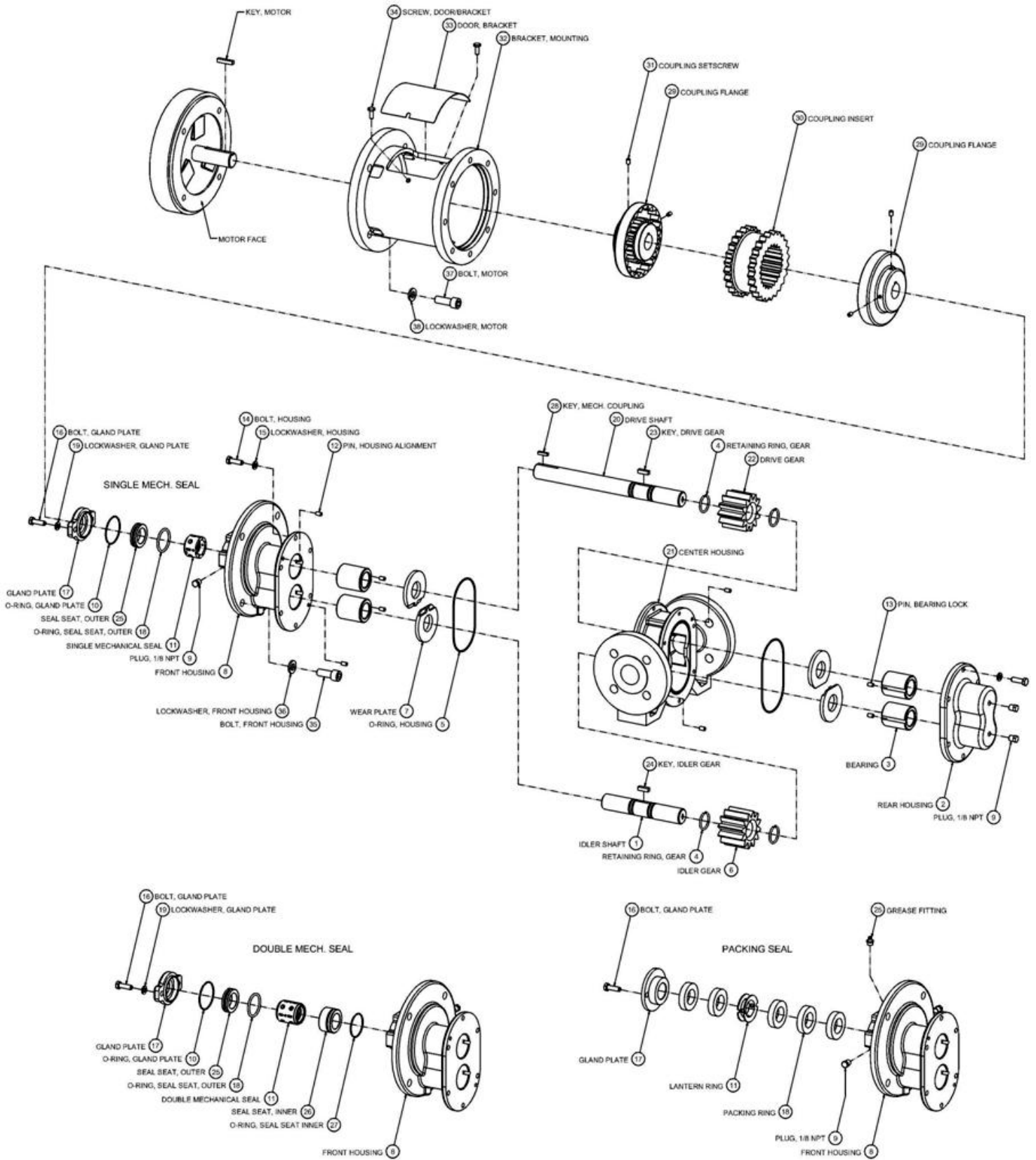
* Item not shown.

** Bolt length (L) depends on motor frame (see Page 32).

NOTE: For Liquiflo Part Numbers, refer to H12 or H14 Consolidated Bill of Materials (BOM).

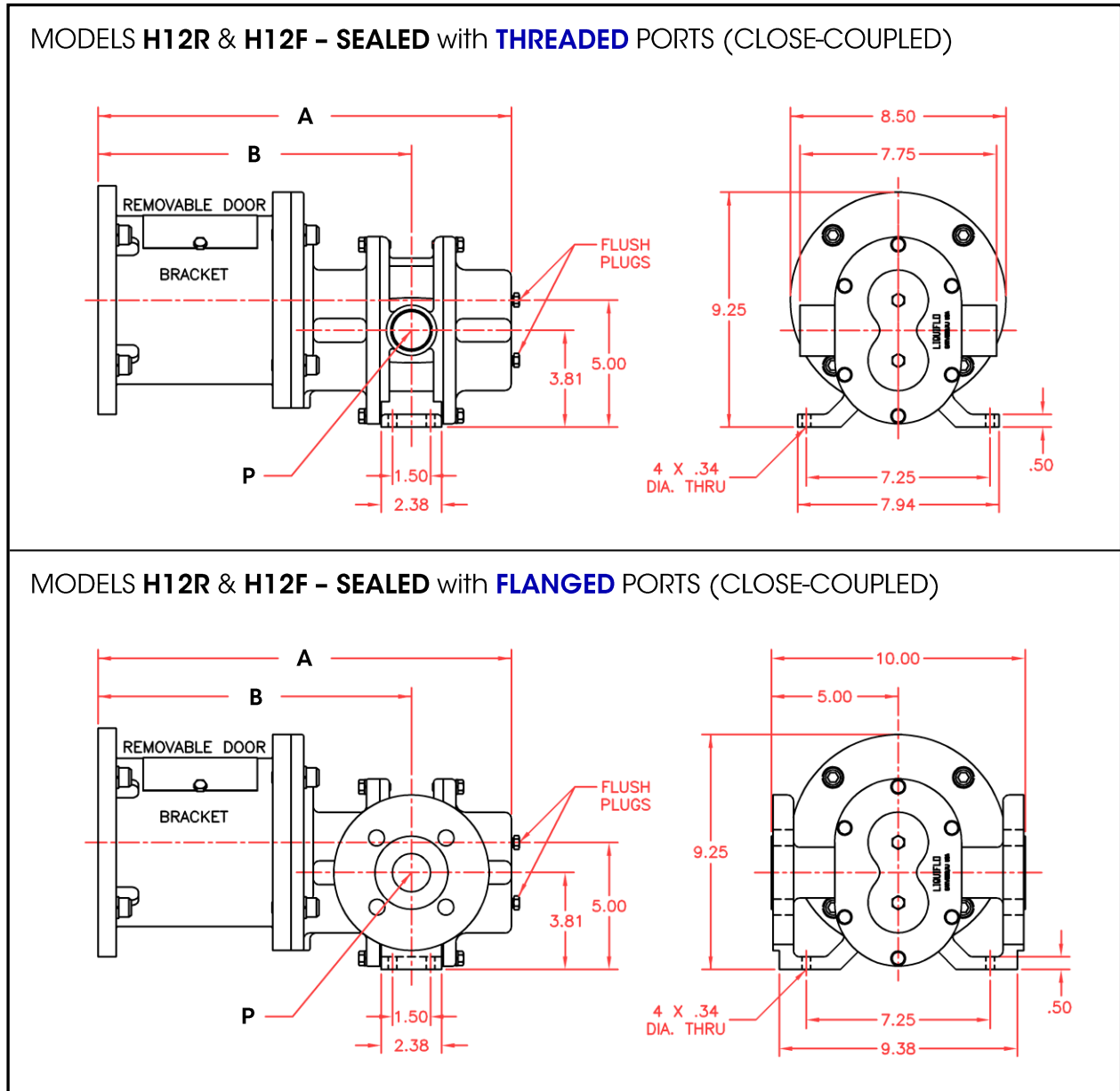
Appendix 6: Reference Drawings (Continued)

Pump Exploded View Drawing - Sealed, Close-Coupled



Appendix 6: Reference Drawings (Continued)

Dimensional Drawings – Sealed Models H12R & H12F



Units: inches **NOTE:** Pump length (A) is measured from end of Bracket to end of rear housing. Add 0.31 inches for Flush Plugs.

Dimensional Data – Port Sizes (P)

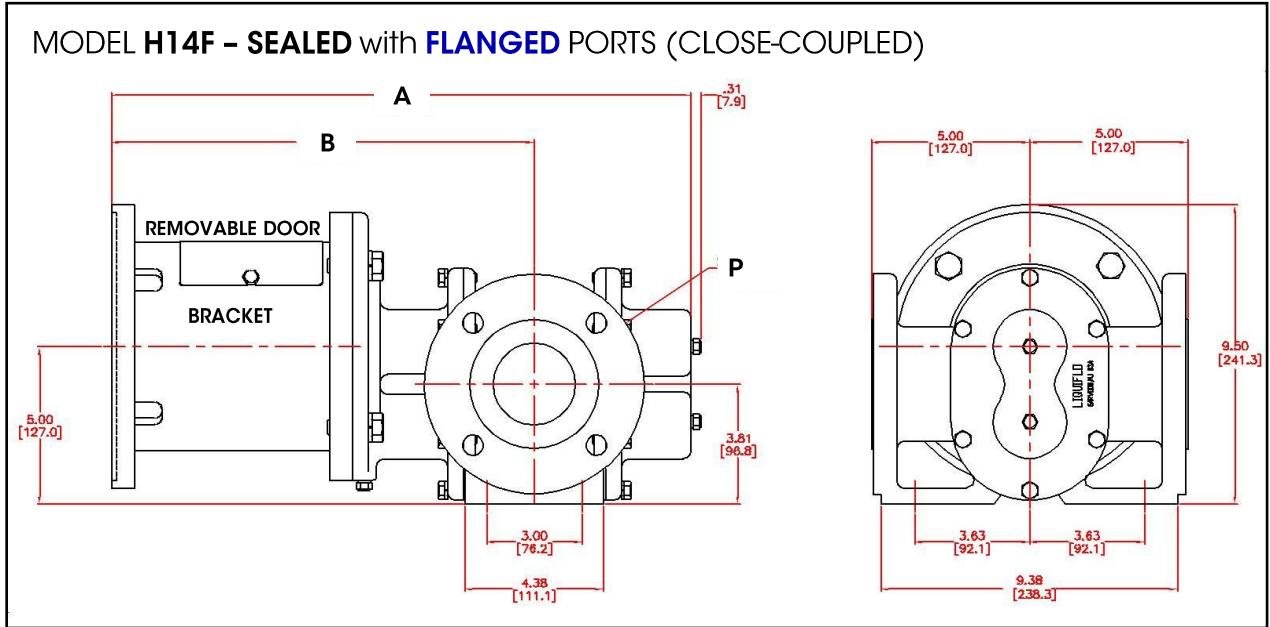
Pump Models	THREADED	FLANGED	
	NPT or BSPT	ANSI 150# RF	DIN PN16
Units:	in	in	mm
H12R & H12F	1-1/4	1-1/2	40

Dimensional Data – Lengths

Motor Frame	A	B
Units:	in	in
NEMA 182/184/213/215 TC	16.30	12.36
NEMA 254/256 TC	17.55	13.61
IEC 100/112 (B5)	15.88	11.94
IEC 132 (B5)	16.67	12.73

Appendix 6: Reference Drawings (Continued)

Dimensional Drawing – Sealed Model H14F



Units: inches [mm] **NOTE:** Pump length (A) is measured from end of Bracket to end of rear housing. Add 0.31 inches for Flush Plugs.

Dimensional Data – Port Sizes (P)

Pump Model	THREADED	FLANGED	
	NPT or BSPT	ANSI 150# RF	DIN PN16
Units:	in	in	mm
H14F	N/A	2-1/2	65

Dimensional Data – Lengths

Motor Frame	A	B
Units:	in	in
NEMA 182/184/213/215 TC	18.30	14.36
NEMA 254/256 TC	19.55	15.61
IEC 100/112 (B5)	17.88	13.94
IEC 132 (B5)	18.67	15.73

Appendix 7: Operation of Dynamic Seals

Liquiflo pumps can be configured with several types of dynamic seals. The choice of seal will depend mainly on the pumping application. To maximize the lifetime of the seal and to ensure that it operates properly, it must be correctly installed and applied, and in some cases, properly adjusted or supported. This section covers the basic operation of the seal arrangements used in Liquiflo Models H12R, H12F and H14F. (Refer to the Cross-Sectional Drawings in **Appendix 6**.)

A. Packing Seal

Although Packing is still used, it is not very common in the chemical processing industry because of its normal leak rate with low to moderate viscosity fluids. It is still considered to be an acceptable solution when pumping safe liquids or where the seal drainage can be captured. Flocculants, water and caustics are common examples of fluids which use this type of seal. Teflon is the standard packing material. Graphoil packing is used for high temperature applications over 350 °F up to 500 °F.

During operation, the shaft-packing interface must be lubricated to reduce frictional forces on the rotating drive shaft. Depending on the fluid, this can be accomplished in several ways: With low to moderate viscosity liquids, the gland screws are adjusted to provide a leak rate of about 8 to 10 drops per minute. With high viscosity liquids, grease can be administered into the seal chamber via the grease fitting. For crystallizing liquids, a flush fluid can be made to flow across the seal chamber, via the two 1/8" NPT ports. In all cases, the packing should be properly compressed by adjusting the glands screws. Under-compression will result in excessive leakage, and over-compression can cause excessive loading and heating of the drive shaft, which will lead to premature failure of the packing seal.

B. Single Internal Mechanical Seal

The Single Mechanical Seal arrangement is the dynamic seal standard and is by far the most commonly used when pumping any type of chemical where leakage needs to be minimized. Although widely used, this seal has some important limitations. The seal can tolerate only limited amounts of abrasive particles and because it is non-hermetic, it is not ideal for pumping fluids that can crystallize on contact with air. Crystals can build up around the edges of the seal and cause premature seal failure. Because of lubrication requirements, the maximum recommended fluid viscosity is 5,000 cP.

During operation, the rotating seal face seals against a stationary seal seat. To be effective, the working surfaces of the seal faces must be extremely flat and the pumped fluid must be present to lubricate the interface and remove the heat caused by friction. The sealing and frictional forces are a result of the mechanical spring pressure inside the seal body and the hydraulic pressure inside the seal chamber. If the pump is run dry for more than a few seconds, the frictional forces will cause rapid wear and damage the seal. Pumping very high viscosity fluids can also cause premature seal wear because of poor lubrication.

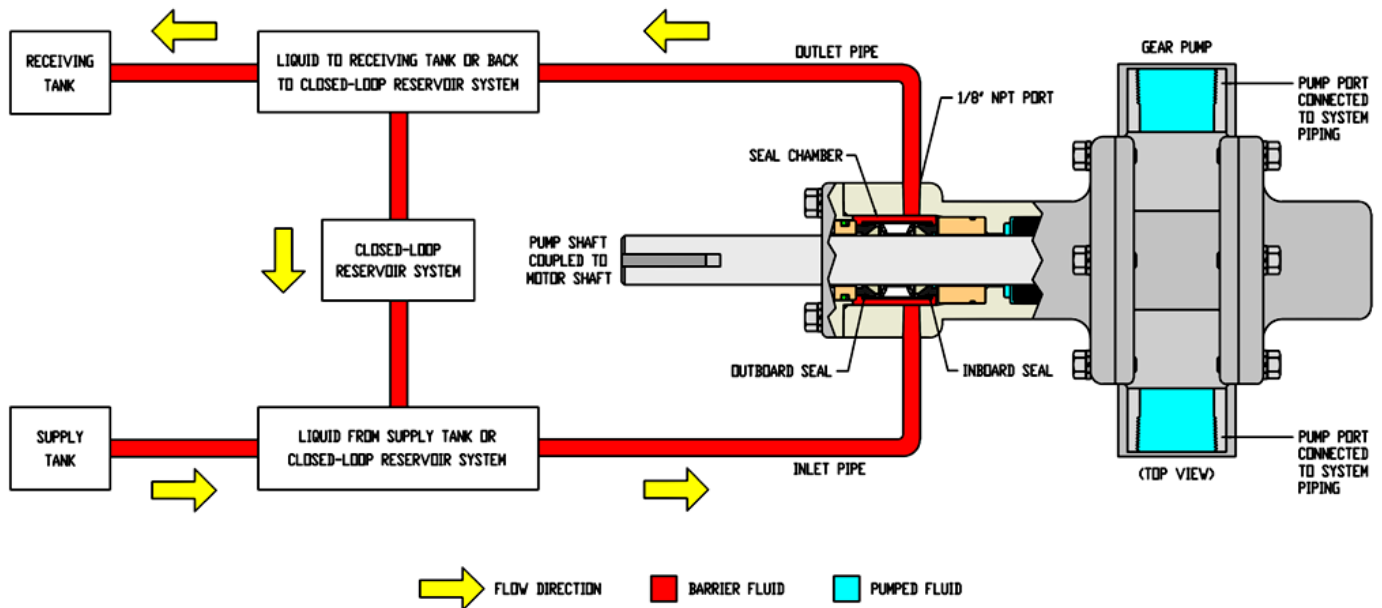
The most common seal combination is a Carbon seal face vs. a Silicon Carbide (SiC) seal seat. If the seal is properly applied, it can be used to pump many chemicals up to differential pressures of 150 PSI or higher. For fluids not compatible with Carbon, Teflon can be used for the seal face material. However, due to its weaker physical strength, the working pressure of a Teflon seal must be limited to about 50 PSI. For fluids containing very low levels of abrasives, a SiC vs. SiC seal combination can be used. For higher levels of abrasives, a double mechanical seal can be used (see page 49). (Note: When pumping abrasive fluids, it is beneficial to use a larger pump running at lower speeds. This will significantly lower the wear rate and increase the working life of the pump. Gear pumps, in general, have limitations on pumping fluids containing suspended solid particles. See **Section 3.3**, Page 11.)

Appendix 7: Operation of Dynamic Seals (Continued)

C. Double Mechanical Seal

The Double Mechanical Seal is a more complex sealing arrangement, but when properly supported, it overcomes the limitations of the other seal types discussed above. As shown below, the double mechanical seal requires a *barrier fluid lubrication system* to cool and flush the seal faces. The barrier fluid must be safe and compatible with the pumpage, have a net flow across the seal chamber via the 1/8" NPT ports and must be pressurized to at least 15 PSI above the pump discharge pressure. The double mechanical seal is preferred for pumping abrasive, crystallizing or extremely hazardous fluids because the seal faces are only exposed to the flush fluid and the pumpage is completely contained by the inboard seal. The double seal can also pump viscous fluids greater than 5,000 cP and can even run dry as long as the barrier fluid is present. Failure to support the double seal will cause rapid wear and ensuing failure of both the inboard and outboard seals. The main disadvantage of the double seal is the added complexity and cost of the barrier fluid lubrication system. An alternative to the sealed pump, with a properly supported double mechanical seal, is the sealless (magnetic-drive) pump. In addition to its simpler containment system, the mag-drive pump can prove to be a more reliable and cost-effective solution over time.

Barrier Fluid Lubrication System for Pump with Double Mechanical Seal



Appendix 8: Troubleshooting Guide**Troubleshooting Guide – Part 1**

Problem	Possible Cause	Corrective Action
No discharge	Pump not primed	Verify suction pipe is submerged. Increase suction pressure. Open suction valve.
	Wrong direction of rotation	Reverse motor leads or reverse suction and discharge piping.
	Valves closed	Open all suction and discharge valves.
	Bypass valve open	Close bypass valve.
	Air leak in suction line	Tighten connections. Apply sealant to all threads. Verify suction pipe is submerged.
	Clogged strainer	Clean strainer.
	Pump worn or damaged	Rebuild pump.
Insufficient discharge	Suction pressure too low	Increase suction pressure. Verify suction piping is not too long. Fully open any suction valves.
	Bypass valve open	Close bypass valve.
	Partly clogged strainer	Clean strainer.
	Speed too low	Increase driver speed, if possible. Use larger size pump, if required.
	Pump worn or damaged	Rebuild pump.
Loss of suction after satisfactory operation	Pump not properly primed	Reprime pump.
	Air leaks in suction line	Tighten connections. Apply sealant to all threads. Inspect gaskets, if applicable. Verify suction pipe is submerged.
	Air or vapor pockets in suction line	Rearrange piping as necessary.
	Increase in fluid viscosity	Heat fluid to reduce viscosity. Reduce pump speed.
Excessive power consumption	Fluid viscosity higher than specified	Heat fluid to reduce viscosity. Reduce pump speed. Increase driver horsepower.
	Differential pressure greater than specified	Increase pipe diameter. Decrease pipe run.
	Gear clearances insufficient for fluid viscosity	Purchase gears trimmed for the correct viscosity.
	Plastic gear clearance insufficient for fluid temperature	Purchase plastic gear trimmed for the correct temperature.
	Rotating parts binding or severely worn	Disassemble pump and replace worn parts.

Appendix 8: Troubleshooting Guide (Continued)**Troubleshooting Guide – Part 2**

Problem	Possible Cause	Corrective Action
Rapid pump wear	Abrasives in fluid	Install suction strainer. Limit solids concentration. Reduce pump speed or use larger pump running at lower speed.
	Corrosion wear	Use materials of construction that are acceptable for fluid being pumped.
	Extended dry running	Install power sensor to stop pump.
	Discharge pressure too high	Increase pipe diameter. Decrease pipe run.
	Housing stress from piping	Align piping with pump ports. Support piping independently of pump.
Excessive noise and vibration	Suction and/or discharge piping not anchored or properly supported	Anchor per Hydraulic Institute Standards.
	Base not rigid enough	Tighten hold-down bolts on pump and motor or adjust stilts. Inspect grout and regrout if necessary.
	Worn pump bearings	Replace bearings.
	Worn motor bearings	Replace bearings or motor.
	Pump cavitation	Increase NPSH available.
Excessive product leakage	Static seal failure caused by chemical incompatibility or thermal breakdown	Use O-rings or gaskets made of material compatible with fluid and temperature of the application.
	Static seal failure caused by improper installation	Install O-rings or gaskets without twisting or bending. Use star-pattern torque sequence on housing bolts during assembly. Allow Teflon O-rings to cold flow and seat during tightening. Torque bolts to specification.
	Dynamic seal worn or damaged	Disassemble and replace seal. Prime pump and avoid dry running.
	Pump port connections not properly sealed	Use Teflon tape or other suitable sealant. Use gaskets compatible with fluid and temperature of the application.
	Crevice corrosion of pump housing material	Only pump chemicals that are compatible with the pump housing material. Decrease temperature to reduce corrosion rate to acceptable value. Flush idle pumps that are used to pump corrosive chemicals. Eliminate contaminants in the fluid that can accelerate corrosion wear.