

Verderflex EV500



VERDERFLEX®

Verderflex Economy EV500 Specifications

Speeds	5 to 82 RPM
Control	Manually controlled through potentiometer, fast prime, reversible
Pumphead	Polycarbonate - standard, Noryl - optional
Rotor Assembly	2 roller Polycarbonate
Voltage	110/230V 50/60Hz
Installed Motor Power	20W
Protection Class	IP30
Standard Tube Options	Verderprene, Silicone, Viton® and Tygon®
Standard Tube Sizes	1.6 x 1.6 mm, 3.2 x 1.6 mm, 4.0 x 1,6 mm, 4.8 x 1.6 mm
Weight	1.7 kg

Flow Rates

Tube	Min. Flow (ml/min)	Max. Flow (ml/min)
1.6 x 1.6	2	23
3.2 x 1.6	5	82
4.0 x 1.6	7	115
4.8 x 1.6	11	185

Flows are typical and were measured with water at 20°C with no suction lift or discharge pressure. Actual flows will vary according to suction conditions, discharge pressure, tube material and production tolerances.

Standard Pump Ordering Options

1.6 x 1.6 Verderprene Tube Assembly

UK Plug	160.5000	VF ECONOMY EV 500 1.6 VP UK
European Plug	160.5001	VF ECONOMY EV 500 1.6 VP EU
US Plug	160.5002	VF ECONOMY EV 500 1.6 VP US

3.2 x 1.6 Verderprene Tube Assembly

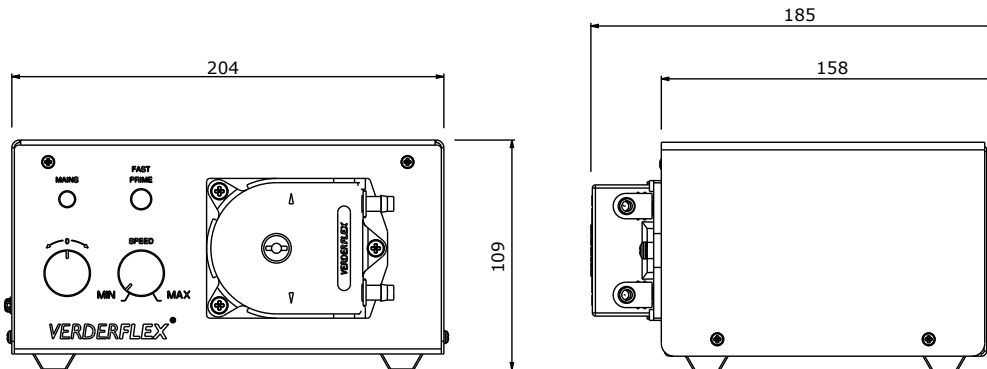
UK Plug	160.5100	VF ECONOMY EV 500 3.2 VP UK
European Plug	160.5101	VF ECONOMY EV 500 3.2 VP EU
US plug	160.5102	VF ECONOMY EV 500 3.2 VP US

4.0 x 1.6 Verderprene Tube Assembly

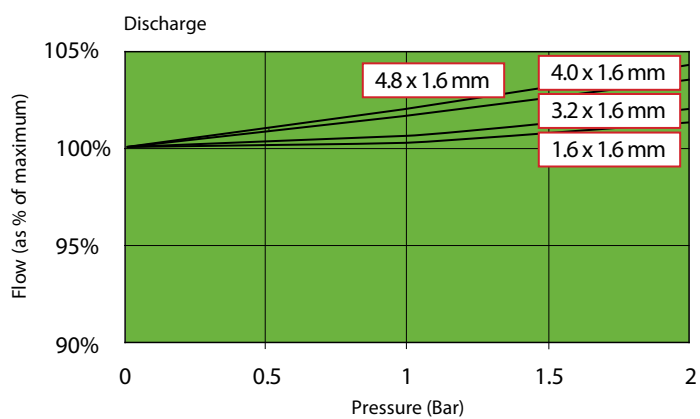
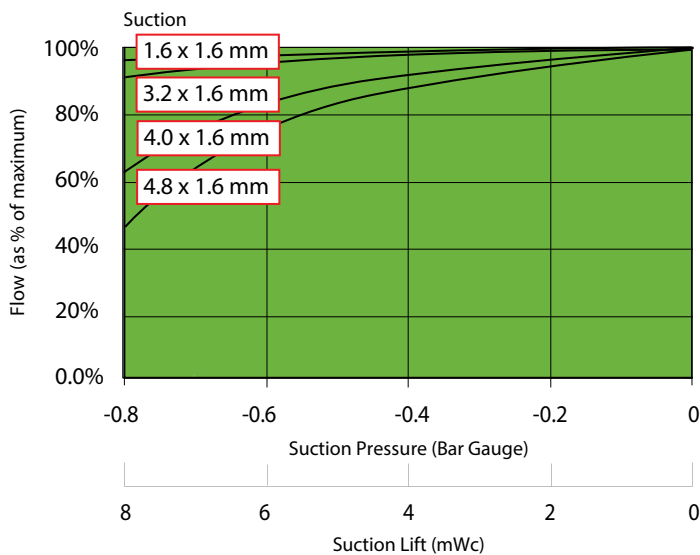
UK Plug	160.5200	VF ECONOMY EV 045 4.8 VP UK
European Plug	160.5201	VF ECONOMY EV 045 4.8 VP EU
US plug	160.5202	VF ECONOMY EV 045 4.8 VP US



Verderflex EV500



All dimensions are in mm.
All dimensions and weights are for guidance only.



Trademarks

VERDERFLEX® is a registered trademark of Verder International B.V. No permission is granted to use any Verder, trademarks or trade names included in this document without the prior written agreement of Verder International B.V.

© Verder International B.V

Find your local supplier
at www.verderflex.com

For construction installation and floor mounting drawings
please contact your local authorised Verderflex® distributor.

VERDER
passion for pumps