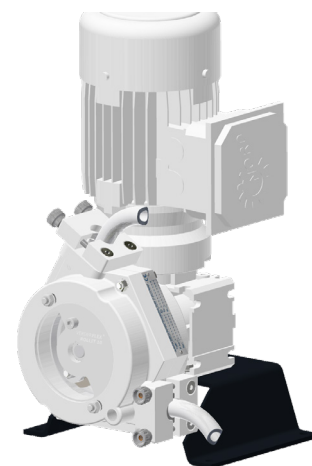


VERDERFLEX

Rollit Thru 6/9



Description

The Verderflex Rollit Thru 6/9 is a hygienic pump of the Rollit series of liquid-lubrication-free hose pumps. The Rollit Thru 6/9 is designed to operate with single use continuous tubing of different materials instead of its more common hose options. They are designed for applications in the biotechnology, chemical, food, pharma and many other industries. These models have peristaltic tubing for ease of use in biotechnology and cell cultures. After a production batch only the tubing needs to be changed meaning downtime is minimilised and process cleaning eliminated.

Features and benefits

- Ease of use with single use tubing
- Continuous tubing without connectors
- No dead spaces in the pipe system
- Tool-free tubing replacement
- 4 position pump head according to installation situation as an option
- True dry running pump
- Excellent soft and hard solids handling, i.e. ideal for abrasive media
- Gentle pumping of sensitive media
- No seals and valves
- Pumping of viscous media
- Ideal for aggressive media

Technical data

Max. flow rate continuous	125 l/h	Max. motor power	0.18 kW
Max. flow rate intermittant	175 l/h	Max. temperature of medium	dependant on tubing selection
Max. pump speed (intermittant)	240 rpm	Max. discharge pressure	depending on the selected tube 1 or 2 bar
Max. suction lift	7 mWc	Tube ID	6.4mm ID x 3.2 wall, or 9.6 mm ID x 3.2 wall
		Weight (including motor)	close coupled 14 kg, long coupled 17 kg

Materials

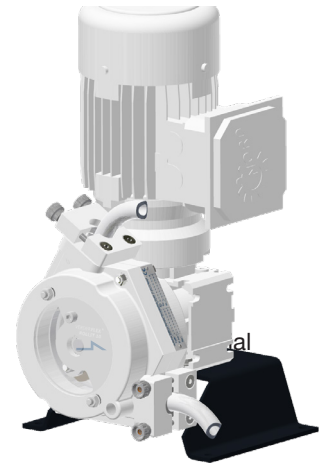
Description	Materials	Paint detail
Pump housings	Aluminium Alloy	RAL 9002 (white)
Rotors	Aluminium Alloy	
Roller	3 rollers PTFE with 25% Carbon per rotor	
Base Plate	Carbon Steel (option: Stainless Steel)	RAL 7021 (black grey)
Special order options	Position of pump head	
Tubing material options	Verderprene food white according to FDA CFR21 & EC/1935	
	Platinum Cured Silicon. NOTE: max. pressure 1 bar	
	Tygon	

VERDERFLEX

Rollit Thru 6/9

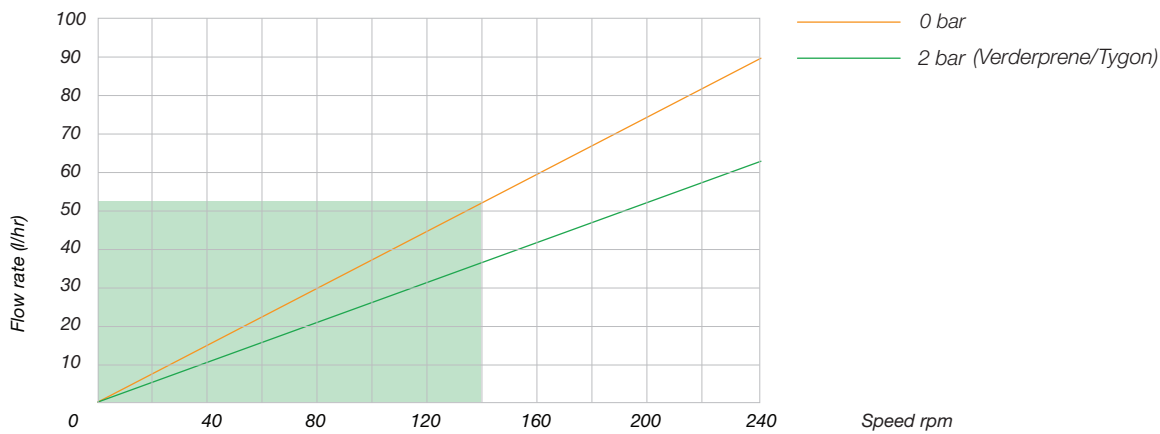
Options and accessories

- Special drive design depending on customers demands
- Mechanical or electronic adjustment of speed and flow
- Pump control systems
- Dosing systems
- Tube monitor
- Mobile mounting available
- Pulsation dampers

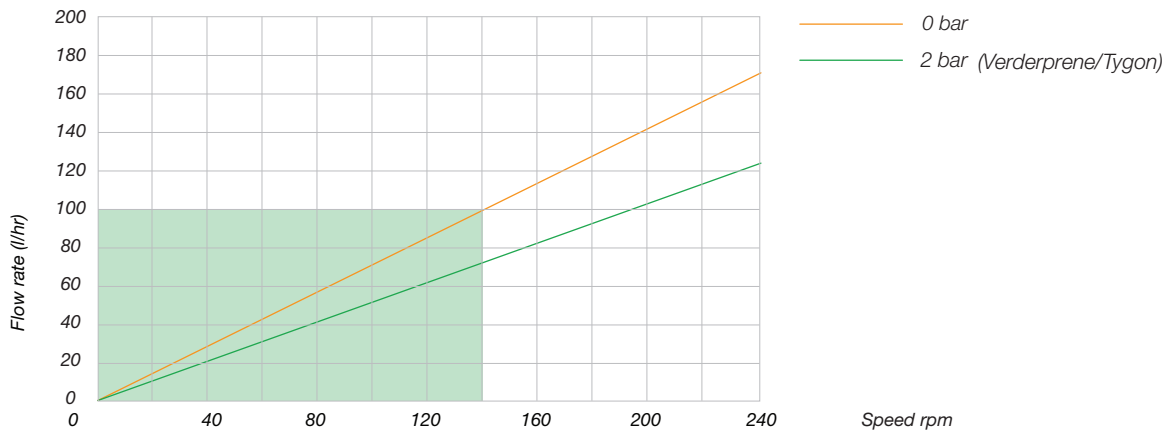


Performance curves

6.4mm ID by 3.2mm wall tubing



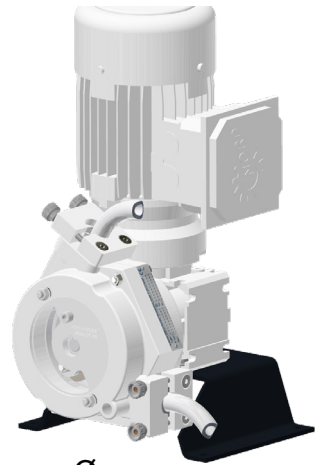
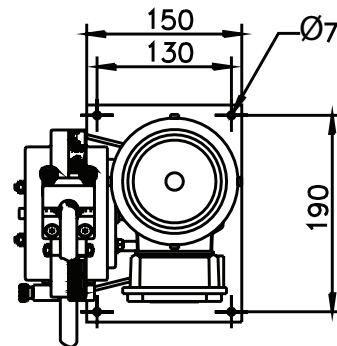
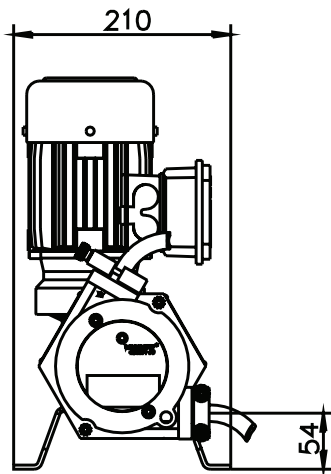
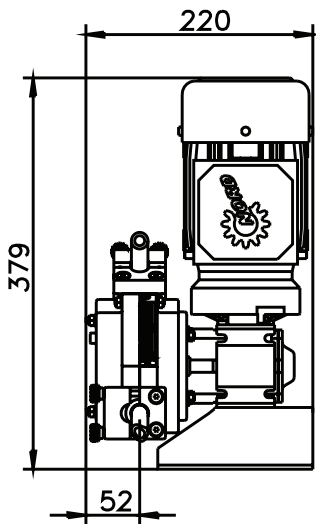
9.6mm ID by 3.2mm wall tubing



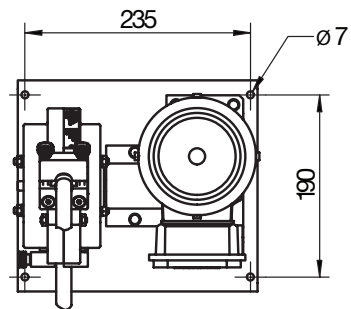
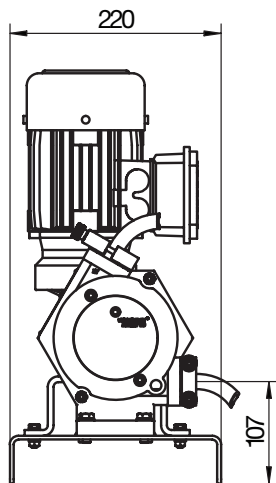
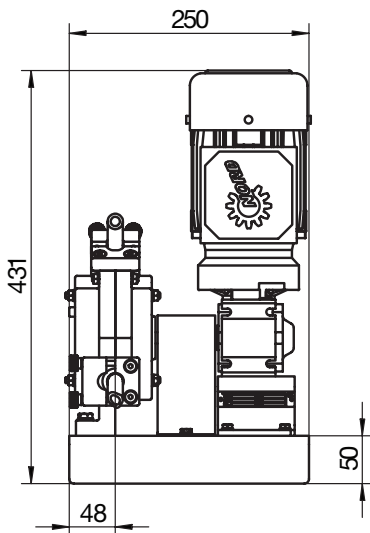
VERDERFLEX

Rollit Thru 6/9

Dimensions Close coupled model



Dimensions Long coupled model



All dimensions are in mm.
All dimensions and weights are for guidance only.

Rollit_Thru_Dataasheet_rev01_2021_(eu)



Find your local supplier at www.verderflex.com

For construction, installation and floor mounting drawings please contact your local authorised Verderflex® distributor.