

Verderflex Dura 55



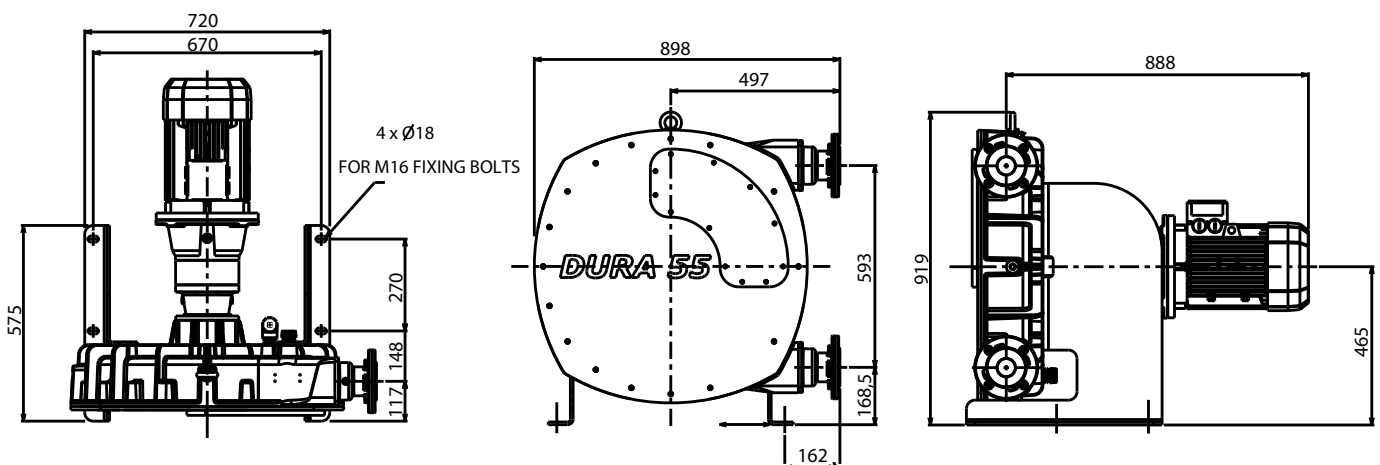
VERDERFLEX®

Description	Material	Paint Detail
Pump Housing	SG Iron	Green Powder Coated
Front Cover	Steel	Powder Coated
Window	Plexyglass	
Rotor	SG Iron	
Rotor shoes	Cast Aluminium, other materials to order	
Rotor attachment	Keyless Friction Bush, including stalled rotor protection	
Bearing Housing	Cast Iron	Green Powder Coated
Front bearing	Deep Groove Ball Race	
Rear bearing	Deep Groove Ball Race	
Drive shaft	Heat treated steel	
Shaft Seals	Viton option PTFE	
Mounting Frame	Steel	Powder Coated
Hose options	Natural Rubber (NR) Options: Nitrile Buna Rubber (NBR) Ethylene Propylene Diene Monomer (EPDM), Food Grade Nitrile Buna (NBRF) and Hypalon® (CSM)	
Port Flange	316 Stainless Steel Universal slotted design fits with DIN PN16 DN 65, ANSI 150# 2½" & JIS10K, Options: 316 Stainless Steel with Polypropylene or P.V.D.F Insert*, DIN11851 Hygienic, DIN32676 Tri-clamp	
Lubricant options	Verderlube - Glycerine based lubricant** Verdersil - Silicone based lubricant***	
Weight with typical GMU	430 kg	
ATEX option	YES	

* Temperature Limit for PP insert is 40°C and for PVDF insert is 80°C.

** Temperature Limit for Verderlube is 50°C.

*** Suitable for application above 50°C, but subject to maximum temperature limit of the hose and applications involving strong oxidising agents and nitrogenous compounds.



All dimensions are in mm.

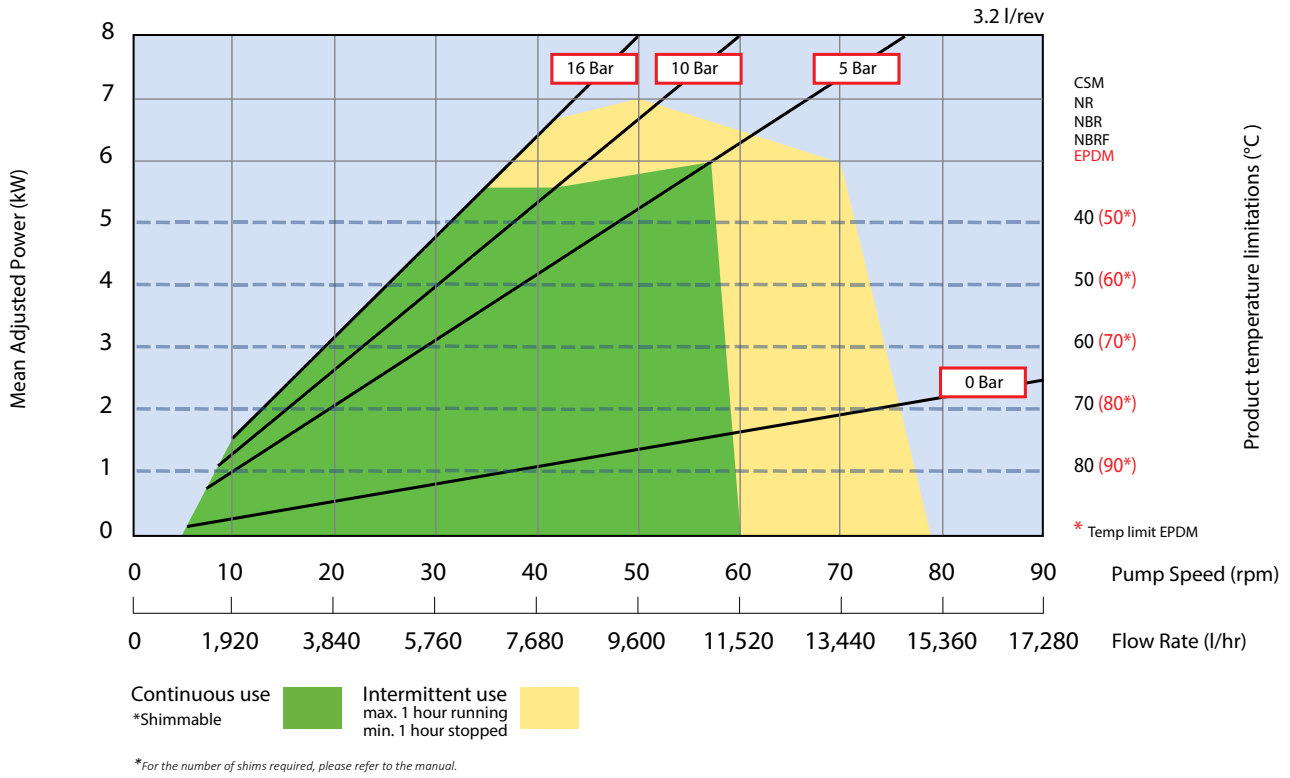
All dimensions and weights are for guidance only.



Verderflex Dura 55



VERDERFLEX®



Flows are typical and were measured with water at 20°C with 1 metre suction lift or discharge pressure. Actual flows will vary according to suction conditions, discharge pressure and normal component production tolerances.

Preferred Pump Options Fitted With Planetary Gearbox, Suitable for Inverter Duty 50Hz Motor

Flow l/hr	Pump Speed RPM	Installed Motor Power kW	IEC Frame Size	Maximum Pressure (Bar) with installed motor
3,600	19	3	100	7.5
5,400	28	4	112	7.5
9,000	47	7.5	132	7.5

Other flow rates and discharge pressures are available on request.



Verderflex Dura 55



Trademarks

VERDERFLEX® is a registered trademark of Verder International B.V. No permission is granted to use any Verder, trademarks or trade names included in this document without the prior written agreement of Verder International B.V.

Tri-clamp® is a registered trademark of Alfa Laval Corporate AB.

Hypalon® is a registered trademark of RSCC Wire & Cable LLC.

**Find your local supplier
at www.verderflex.com**

For construction installation and floor mounting drawings
please contact your local authorised Verderflex® distributor.