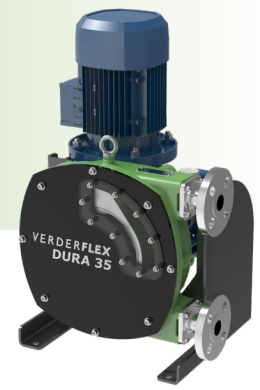


# Verderflex

## Dura 35



VERDERFLEX®

### Description

The Verderflex Dura 35 is a compact, high pressure hose pump with superior secondary containment. Designed for dosing, metering, sampling, high lift or medium head applications in brewing, chemical processing, industrial plants, water treatment and waste water processing

### Features and benefits

- ↪ Ideal for abrasive or high solid content slurries
- ↪ Self Priming, problem free pumping of gaseous liquids
- ↪ Easily pumps viscous liquids
- ↪ Gentle low shear pumping action
- ↪ Dry running capabilities
- ↪ Long life hoses
- ↪ No seals or valves

### Technical data

Maximum Flow Rate	24.2 GPM	Maximum Medium Temperature	176°F *
Maximum Discharge Pressure	230 PSI	Maximum Incompressible Solid Size	1/8 in
Maximum Suction Lift	31 ftwc	Maximum Compressible Solid Size	11/32 in
Hose ID	35 mm		

\* Continuous use with NR hose

### Materials

Description	Material	Paint Detail
Pump Housing	Cast Iron (ASTM A48)	Green Powder Coated
Front Cover	Carbon Steel with Plexiglass Inspection Window	Powder Coated
Rotor	Cast Iron (ASTM A48)	
Drive Shaft	EN24T Steel	
Port Flange	316 Stainless Steel Universal slotted design fits with DIN PN16 DN32, ANSI 150# 1 1/4" & JIS10K 32, Options: 304 Stainless Steel with Polypropylene or P.V.D.F Insert*, DIN11851 Hygienic, DIN32676 Tri-clamp	
Mounting Frame	Carbon Steel	Powder Coated
Gearbox Flange	Aluminium	
Bearing	Bearing Steel	
Shaft Seal	Viton Option: PTFE	
Lubricant	Verderlube - Glycerine based lubricant** Verdersil - Silicone based lubricant***	
Hose	Natural Rubber (NR) Options: Nitrile Buna Rubber (NBR) Ethylene Propylene Diene Monomer (EPDM), Hypalon® (CSM) and Verderprene	
Weight	Complete pump excluding drive: 135 lb	

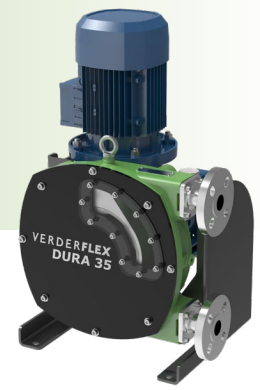
\* Temperature Limit for PP insert is 104°F and for PVDF insert is 176°F.

\*\* Temperature Limit for Verderlube is 122°F.

\*\*\* Suitable for application above 122°F, but subject to maximum temperature limit of the hose and applications involving strong oxidising agents and nitrogenous compounds.

# Verderflex

## Dura 35

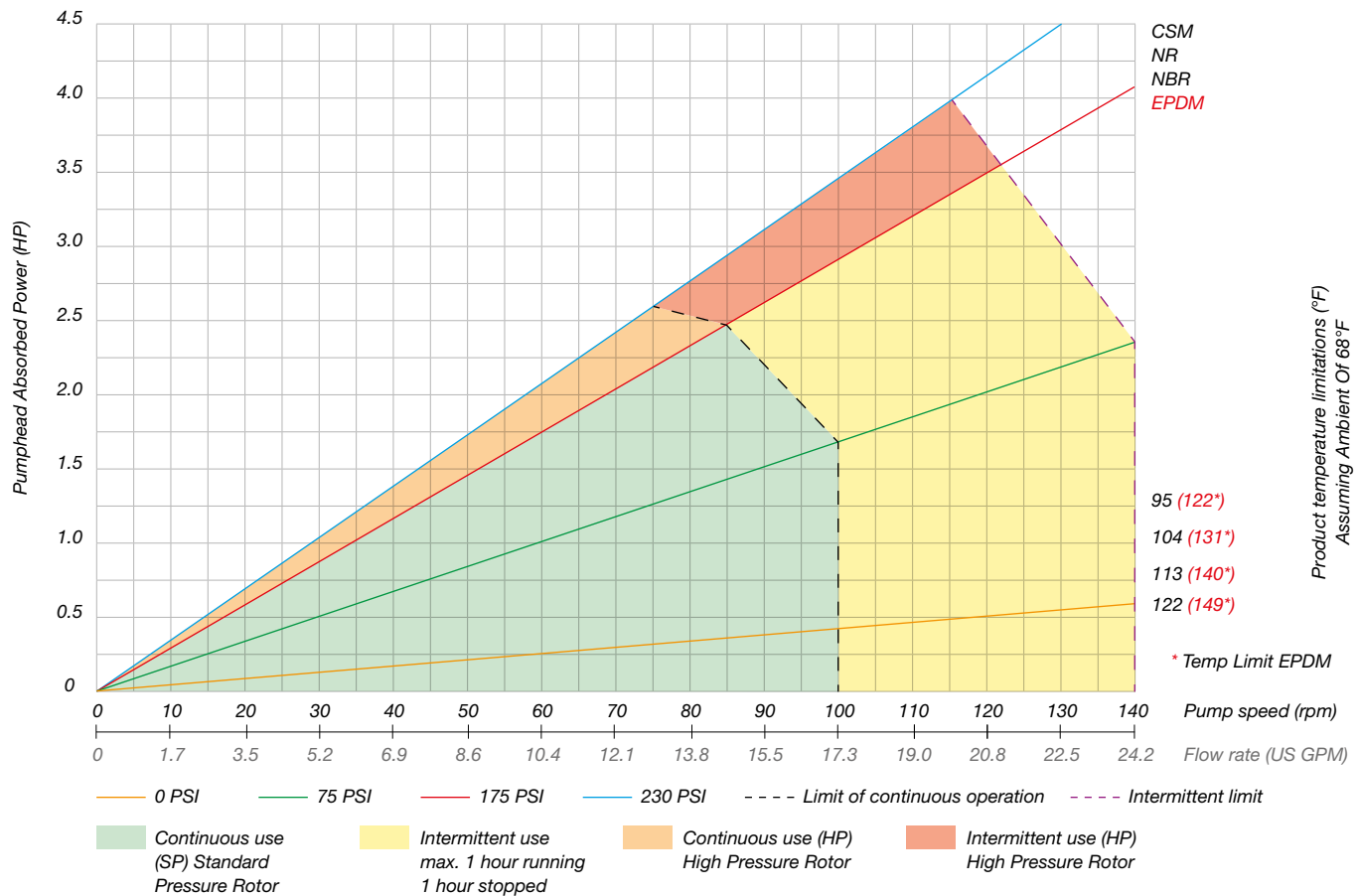


VERDERFLEX®

### Standard Pump Options for 60Hz Motor Fitted With Worm Gearbox, Suitable for Inverter Duty

Flow GPM	Pump Speed RPM	Maximum Pressure PSI
5.4	31	232
5.3	28	232
6.6	35	232
7.6	44	232
10.0	58	232
13.1	76	232
15.2	88	232

### Performance curve



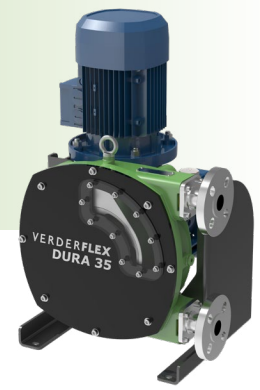
Any application below 15 Hz may require special review. Flows are typical and were measured with water at 70°F with no suction lift or discharge pressure. Actual flows will vary according to suction conditions, discharge pressure and normal component production tolerances.

DURA PUMPS OPERATING ABOVE 90 PSI REQUIRE CONSULTATION WITH MANUFACTURER OR DISTRIBUTOR.



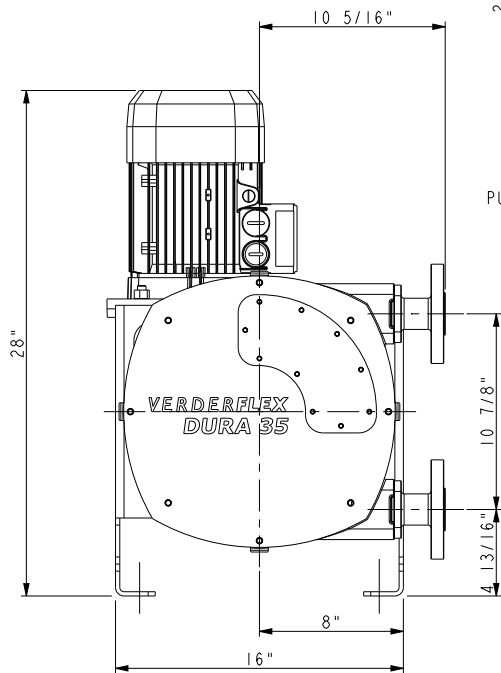
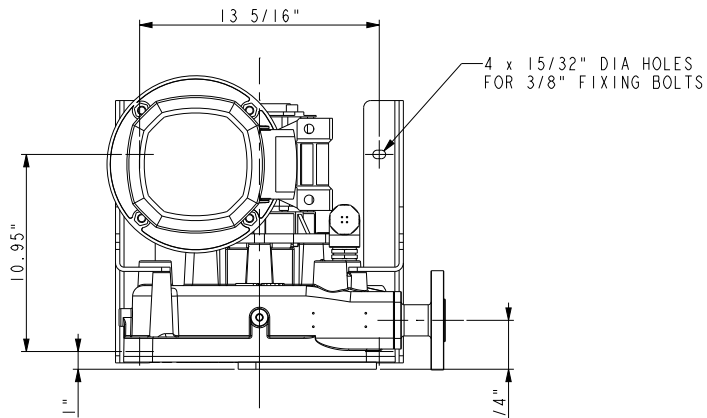
# Verderflex

## Dura 35

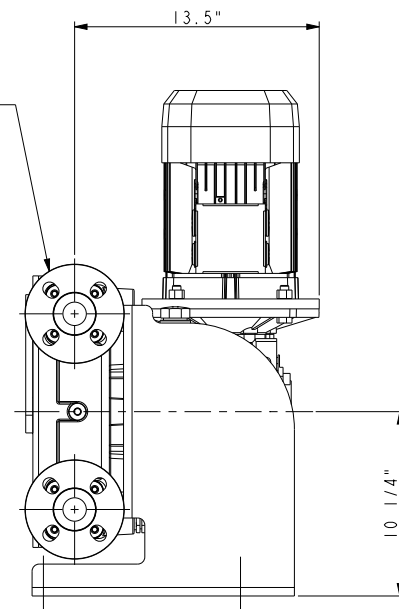


VERDERFLEX®

### Dimensions



INLET / DISCHARGE  
FLANGE OPTIONS: -  
DN32 - PN16  
1.1/4" - ANSI 1501b  
32 - JIS 10K  
PUMP CAN RUN IN EITHER DIRECTION



GMU MOTOVARIO NMRVP090 FA BN100 B5

All dimensions are in inches.

All dimensions and weights are for guidance only.

### Trademarks

VERDERFLEX® is a registered trademark of Verder International B.V. No permission is granted to use any Verder, trademarks or trade names included in this document without the prior written agreement of Verder International B.V.

Tri-clamp® is a registered trademark of Alfa Laval Corporate AB.

Hypalon® is a registered trademark of RSCC Wire & Cable LLC.

© Verder International B.V

Find your local supplier at [www.verderflex.com](http://www.verderflex.com)

For construction, installation and floor mounting drawings  
please contact your local authorised Verderflex® distributor.

**VERDER**  
passion for pumps

